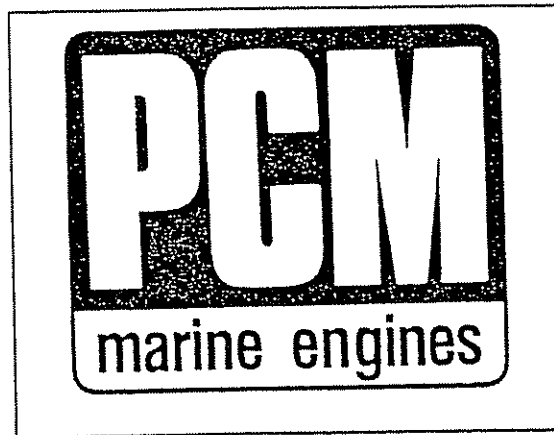


ILLUSTRATED PARTS MANUAL

*FORD AND CHEVROLET V8 INBOARD
ENGINES*

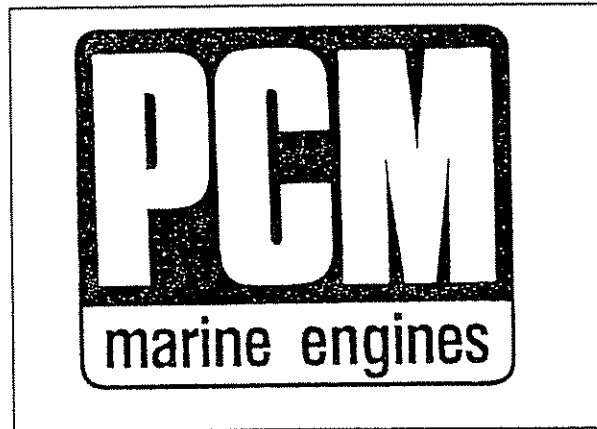


*PLEASURECRAFT MARINE ENGINE CO.
1737 HIGHWAY 76 EAST
P.O. DRAWER 369
LITTLE MOUNTAIN, SC 29075*

*Direct all inquiries to Parts Manager:
TELEPHONE: 803-345-1337
FAX: 1-800-726-4840*

*SEPTEMBER 1998
REVISED MAY 2000*

L190023



MANUAL LAYOUT

This manual is laid out in alphabetical nine (9) groups as follows:

B - Base Engine Parts
C - Cooling System
D - Decals
E - Electrical Systems

F - Fuel Systems
K - Kits, Options and Accessories
M - Mounts
R - Re-power
T - Transmissions

Within each main group, there are sub-groups which are composed of major sections of the main group, e.g., block components are one group under "Base Engine Parts" and Cylinder Heads is another group also under "Base Engine Parts." Each sub-section is also positioned within the manual in alphabetical order, e.g., B1 is base engine block, B2 is base engine head, etc. This allows the user to determine where within the manual the needed part listings are located.

The illustrations and listings have been combined to minimize the duplication of common parts in numerous parts of the manual, e.g., all exhaust system parts for both Ford and GM are on one page, e.g., B1-1 contains Ford base block parts listing and B2-1 contains GM 5.0/5.7 base block information.

These changes have been made to reduce the size as well as to simplify the use of this manual. To the best of our knowledge this approach is new and untried. Users comments are invited to help us improve this concept. Send comments or suggestions to:

PCM Service Training Department
P.O. Box 130
Canal Winchester, OH 43110

Direct parts inquiries to: Parts Manager
Pleasurecraft Marine Engine Co.
P.O. Box 369, Highway 76 East
Little Mountain, SC 29075
803-345-1337

See our web page at WWW.PLEASURECRAFT.COM OR WWW.SEAMAXX.COM.

PARTS MANUAL INDEX

A - FRONT MATTER

B - SECTION 1. BASE ENGINE PARTS

1. Ford Block, Intake Manifold And Thermostat Group
2. GM 5.0 And 5.7 Block Group
3. GM 7.4 Block Group
4. Ford Cylinder Head and Valve Cover Group
5. GM 5.0 And 5.7 Cylinder Head Group
6. GM 7.4 Cylinder Head Group
7. GM 5.0 And 5.7 Intake Manifold Group
8. GM 7.4 Intake Group
9. Ford Crankshaft and Main Bearing Group
10. Ford Camshaft, Piston, Connecting Rod and Flywheel Groups
11. Ford Oil Pan and Pump Group
12. GM 5.0 And 5.7 Oil Pan and Pump Group
13. GM 7.4 Oil Pan And Pump Group
14. GM Flywheel Housing & Drive Damper

C - SECTION 2. COOLING SYSTEM

1. Ford 5.0 And 5.8 Water Pump Group
2. Ford Water Hoses and Cooling System Components
3. GM Fresh Water Cooling
4. GM Cooling System Group
5. GM 5.7 & 7.4 Engine Oil Cooler & Remote Filter
6. Exhaust System Manifold, Riser and Options Group
7. Ford Transmission Oil Cooler Group

D - SECTION 3. DECALS

1. PCM and SEA MAXX Decals

E - SECTION 4. ELECTRICAL SYSTEM

1. Ford and GM Alternator Group
2. Ford GT-40 Wiring Harness and Associated Components
3. GM Electrical Components
4. Ford Electrical, Coil And Conventional Distributor
5. Pro Tec Ignition
6. Instrument Panel and Electrical Accessories
7. Ford 5.0:5.8 PM Starter and Drive Group

F - SECTION 5. FUEL SYSTEM

1. Carburetor, Flame Arresier, Fuel Pump and Filter
2. PCM Fuel Control Cannister (FCC) And Feed Pump
3. Ford GT-40 Upper Intake Manifold
4. Ford GT-40 Lower Intake Manifold & Distributor
5. GM 5.7 GEN 1E Apex MPI
6. Ford PTI Pro Boss Pro Ski TBI Components
7. GM 5.7 And 7.4 TBI

K - SECTION 7. KITS, OPTIONS AND ACCESSORIES

1. Accessory Group
2. Engine Parts Kits and Skin Packs
3. Options and Kits
4. On Board Spare Parts Kits

M - SECTION 8. MOUNTS

1. Engine Mount Group

R - SECTION 9. REPOWER

1. GM 4.3 And 5.7 Repower

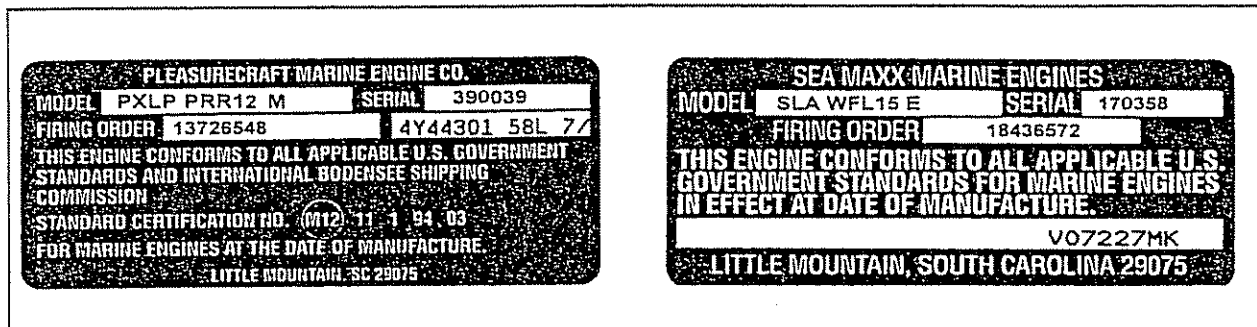
T - SECTION 10. TRANSMISSIONS

1. Transmission Assemblies
2. PCM Transmission (Case & Adapter)
3. PCM Transmission (Shaft & Clutches)
4. PCM Transmission (1:1 Rear Section)
5. PCM Transmission (Reduction Section)
6. Warner Transmission Notes
7. Warner Gear Direct Drive 1:1
8. Warner Gear 1.52:1 Reduction Ratio
9. Warner Reduction Gear 1.91:1
10. Warner Reduction Gear 2.57:2.91:1
11. Warner Vee Drive Forward Section
12. Warner Vee Drive, Chain Drive Models
13. Warner Vee Drive, Gear Drive Models

MODEL IDENTIFICATION

Before ordering parts, be sure to verify the identification of the Engine and/or Drive from the information on the identification plate which is attached to the Engine, as shown.

PLEASURECRAFT AND SEA MAXX SERIAL TAG DEFINITION



- P - PLEASURECRAFT MARINE ENGINE
- X - FRESHWATER COOLED (NO LETTER or SPACE ON SEA WATER COOLED ENGINES)
- L -ENGINE ROTATION (Viewed from rear)
- P - HORSEPOWER AND TYPE
- P - DRIVE MANUFACTURER
- R - DRIVE TYPE
- R - PROPELLER ROTATION (Viewed from rear)
- 12 - DRIVE REDUCTION
- M - IGNITION/FUEL TYPE USED

390039 - ENGINE SERIAL NUMBER

The example shown indicates that the power package is a Pleasurecraft Marine, left-hand rotation, 5.8 Liter (351 CID) Ford engine with a reverse or reduction gear drive, right-hand propeller rotation, with 1:1.23 reduction gear. Engine serial number is 390039. The complete breakdown of the code is as follows:

1st Space P or S - Manufacturer -
Pleasurecraft Marine or Sea Maxx

6th Space R - Drive Type-
R = Reverse or Reduction Gear
V = Vee Drive

2nd Space X - Factory Freshwater Cooling

3rd Space L - Engine Rotation
R - Rotation, Right-Hand from Rear
L - Rotation, Left-Hand from Rear

7th Space R - Propeller Shaft Rotation (from rear)
L - Left-hand Propeller
R = Right-hand Propeller
B = BiRotational Propeller

4th Space D - Engine Type
A = 5.7 Liter (350CID HO) (GM)
D = 5.8 Liter (351 CID Std) (Ford)
K = 7.4 Liter (454CID Std) (GM)
N = 7.4 Liter (454 CID HO) (GM)
P = 5.8 Liter (351 CID HO) (Ford)
Y = 8.2 Liter (502 CID HO) (GM)

8th - 9th Spaces 12 - Drive Gear Ratio/
Reduction
10 - Direct Drive (1:1)
12 - Reduction (1.23:1)
15 - Reduction (1.50:1)
19 - Reduction (1.88:1)

5th Space P - Drive Manufacturer -
P = Pleasurecraft
W = Borg-Warner/ Velvet Drive
H = Hurth

10th Space M - Ignition/Fuel Type Used
D - Distributor (Carb)
E - 98 GM Throttle Body Injection
M - Multi-Port Fuel Injection

Pleasurecraft Marine Engines 1998 and earlier used the following codes:

1st Space	P - Manufacturer- Pleasurecraft Marine S - Sea Maxx	6th Space - Drive Type S = Stern Drive (I/O) R = Reverse or Reduction Gear V = Vee Drive J = Jet Drive
2nd Space	X - Factory Fresh Water Cooling	7th Space - Propeller shaft Rotation FromRear L = Left-hand Propeller R = Right-hand Propeller B = Birotational Propeller
3rd Space	L - Rotation, Left-hand from Rear R - Rotation, Right-hand from Rear	8th Space - DriveGearRatio/Reduction 10 = Direct Drive (1:1) 12 = Reduction (1.23) 15 = Reduction (1.52:1) 16 = Reduction (1.6:1) 18 = Reduction (1.89:1) 19 = Reduction (1.91:1) 21 = Reduction (2.15:1) 25 = Reduction (2.57:1) 30 = Reduction (2.91:1)
4th Space	Engine Type* - A = 302CID {5.0L} - 155 h.p. H = 350 CID {5.7L} - 260 h.p. B = 302 CID {5.0L} - 200 h.p. I = 305 CID {5.0L} - 230 h.p. C = 302 CID {5.0L} - 215 h.p. J = 350 CID {5.7L} - 260 h.p. D = 351 CID {5.8L} - 240 h.p. K = 454 CID {7.4L} - 330 h.p. E = 302 CID {5.0L} - 165 h.p. L = 350 CID {5.7L} - 280 h.p. F = 460 CID {7.6L} - 350 h.p. M = 302 CID {5.0L} - 175 h.p. G = 305 CID {5.0L} - 230 h.p. N = 454 CID (7.4L) - 390 h.p.	
5th Space	Drive Manufacturer- W = Warner D = Dana J = Jacuzzi B = Berkley P = Pleasurecraft	9th Space - P = PowerPlus 10th Space - T = Protec EMS

*NOTE 302,351 & 460 CID engines are Ford Blocks and 305, 350 & 454 Cid engines are GM Blocks

Therefore, a 350 CID GM. right hand engine, with Warner Velvet Drive, reverse and reduction in 2.0:1 ratio, would carry a model designation of PRA WRR20 -

- A 351 CID Ford right hand engine, with Warner Vee Drive, 1.5:1 reduction, would be PRD WVR15 -
- A model identification which appears - PRD 00000- indicates that the engine was shipped as a right hand, 351 CID Ford engine with no drive gear installed (Bobtail).

CAUTION

The Warner Velvet Drive, 1.88:1 reduction gear, reverses input rotation. Engines combined with this particular gear will have engine rotation opposite of propeller rotation; For example - PLA WRR19 .

Warner Vee Drives are available in two (2) configurations; one type maintains the same rotation in both engine and propeller shaft, the other reverses the input rotation. Therefore, it is essential that engine parts are ordered for the rotation of the engine, as indicated by the second digit of the model designation.

REDUCTIONS. Gear reductions may be verified by examination of the identification tags of the drive unit. Warner Velvet Drives will have the reduction stamped on the tag.

FIRING ORDER. The firing order of each engine is stamped in the engine identification plate. For Ford engines, cylinders are numbered as follows, front to rear - Right side - 1-2-3-4 -Left side - 5-6-7-8. Right and left sides are determined as viewed from the rear (flywheel) end of the engine. On Chevrolet engines cylinders are numbered right side -2-4-6-8 - left side - 1-3-5-7.

ROTATION. Engine rotation is viewed from the rear of the engine. L = CounterClockwise R = Clockwise.

Shaft or propeller rotation is viewed from behind the boat. L = CounterClockwise R = Clockwise.

PART NUMBERS. All part numbers within this manual which bear the prefix R indicates that the part is for a Pleasurecraft Marine Engine application, and prevents this part, or orders for this part, from being confused with any other parts. It is essential that the prefix "R" be used on all parts ordered for Pleasurecraft Marine Engines. Special Pleasurecraft Marine Engine parts order forms are available, and should be used whenever possible. Part numbers should be listed in numerical sequence on all orders. Part numbers without the "R" prefix are supplier (Chevrolet, Ford, Etc.) numbers and may be acquired from their dealers.

Specifications and material in this manual are subject to change without notice.

Only orders from authorized Pleasurecraft Marine Engine Dealers will be accepted for filling from the factory. Parts orders from all owner/users must be directed to the nearest authorized Pleasurecraft Marine Engine Dealer for processing.

ALL PARTS SHIPMENTS F.O.B. PCM Warehouse

ABBREVIATIONS USED:

- NI = Not Illustrated
- A/R = As Required
- FUW = For Use With
- NSS = Not Serviced Separately
- RH = Right Hand Engine Rotation
- LH = Left Hand Engine Rotation
- RIGHT SIDE = As Viewed From The Flywheel End of Engine
- LEFT SIDE = As Viewed From The Flywheel End of Engine

FORD BLOCK, INTAKE MANIFOLD AND THERMOSTAT GROUP

REF NO.	PART NUMBER	CODE	DESCRIPTION	QTY	APP	ROT
1	RB001001B	F	Engine, Base	1	5.0/2	LH
1	RB001001D	F	Engine, Base	1	5.0/4	LH
1	RB001001E	F	Engine, Base	1	5.0/4	RH
1	RB001002	F	Engine, Base	1	5.8 Std	LH
1	RB001002A	F	Engine, Base	1	5.8 Std	RH
1	RB001015	F	Engine, Base {High Performance Carburetor Intake}	1	5.8 HO	LH
1	RB001015A	F	Engine, Base {High Performance Carburetor Intake}	1	5.8 HO	RH
1	RB001015B	F	Engine, Base {High Performance Multi Point Intake}	1	5.8 HO	LH
1	RC001001B	F	Block, Short	1	5.0	LH
1	RC001001C	F	Block, Short	1	5.0	RH
1	RC001002	F	Block, Short	1	5.8 Std	LH
1	RC001002A	F	Block, Short	1	5.8 Std	RH
1	R001001	F	Block, Bare	1	5.0	All
1	R001002	F	Block, Bare	1	5.8	All
2	R069008	U	Plug, Freeze Brass 1 1/2" OD	6	All	All
3	R022003	F	Dowel, Block To Head	4	All	All
4	RS3543	F	Plug, 3/4" Pipe NPT	6	All	All
5	RS3567	F	Plug, 3/4" OD Cup	1	All	All
6	RS3653	F	Plug, Front Oil Galley	3	All	All
NI	RP173017	U	Kit, Plug And Bracket	1	All	All
7	RS0281	U	Bolt, Cover To Block {5/16" 18 x 7/8"}	2	All	All
8	R020001	U	Sender, Oil Pressure	1	All	All
9	R020004	F	Adapter, Oil Sender	1	All	All
9A	RS3676	U	Bushing, Oil Sender Reducing 1/4" NPT To 1/8" NPT	1	All	All
10	RM0031	F	Gasket, Timing Cover	1	All	All
11	R004001A	F	Cover, Timing	1	All	All
11A	R109047	U	Plate, Fuel Pump Mounting Hole Cover	1	Elec. F/P	All
11B	RM0122	U	Gasket, Fuel Pump Plate To Block	1	All	All
12	RS0284	U	Bolt, Cover To Block 5/16" 18 x 1 1/2"	1	All	All
13	RS0286	U	Bolt, Cover To Block 5/16" 18 x 2"	2	All	All
14	R047039	F	Seal, Front Crankshaft	1	All	LH
14	R047044	F	Seal, Front Crankshaft	1	All	RH
15	RM0043	F	Gasket, Water Pump To Cover	1	All	All
16	R002001	F	Manifold, Intake 2 Barrel	1	5.0/2	LH
16	R002002	F	Manifold, Intake 4 Barrel	1	5.0/4	All
16	R002003A	F	Manifold, Intake 4 Barrel	1	5.8	All
16	R002014	F	Manifold, {Multi Point EFI Lower Intake}	1	5.8	All
17	RM0057A	F	Kit, Intake Manifold Gasket 71 Thru 85	1	All 5.0	All
17	RM0187	F	Kit, Intake Manifold Gasket 1986 On	1	All 5.0	All
17	RM0186	F	Kit, Intake Manifold Gasket 1971 On	1	All 5.8	All
18	RS0282	U	Bolt, Intake To Head 5/16" 18 x 1"	6	All	All
18	RS0286	U	Bolt, Intake To Head 5/16" 18 x 2"	12	All	All
19	RS2179	U	Washer, Lock 5/16"	6	All	All
20	R062009	F	Spacer, 2 Barrel Carburetor	1	5.0/2V	LH
20	R062010	F	Spacer, 4 Barrel Carburetor 1971 Thru 1984 {Aluminum}	1	5.0/4V + 5.8	All
20	R062010A	F	Spacer, 4 Barrel Carburetor 1985 On {Cast Iron}	1	5.8	All
21	RM0048	F	Gasket, Carburetor Spacer	2	5.0/2V	LH
21	RM0054B	F	Gasket, Carburetor Spacer	2	5.0/4V + 5.8	All
22	R095013	F	Stud, Carburetor 5/16" 18/24 x 2 1/2" 1971 Thru 1984	4	All	All
22	R095013A	F	Stud, Carburetor 5/16" 18/24 x 2 3/4" 1985 On	4	5.8	All
23	R020002	U	Sender, Water Temp. 3/8" Pipe NPT	1	5.0	All
23	R020003	U	Sender, Water Temp. 1/2" Pipe NPT	1	5.8	All
24	RM0003	F	Gasket, Thermostat Cover Sea Water Cooled *	1	All	All
25	RM0001	F	Gasket, Thermostat Housing To Manifold	1	All	All
26	RP026002E	U	Thermostat, 143 Degree Sea Water Cooled *	1	All	All
26	RP026002	U	Thermostat, 160 Degree Sea Water Cooled *	1	All	All
27	R025001	F	Housing, Thermostat Lower Sea Water Cooled *	1	All	All
28	R025002	F	Housing, Thermostat Upper Sea Water Cooled *	1	All	All

THE ILLUSTRATION FOR REFERENCE NUMBERS ON THIS PAGE WILL BE FOUND ON FIGURE B1

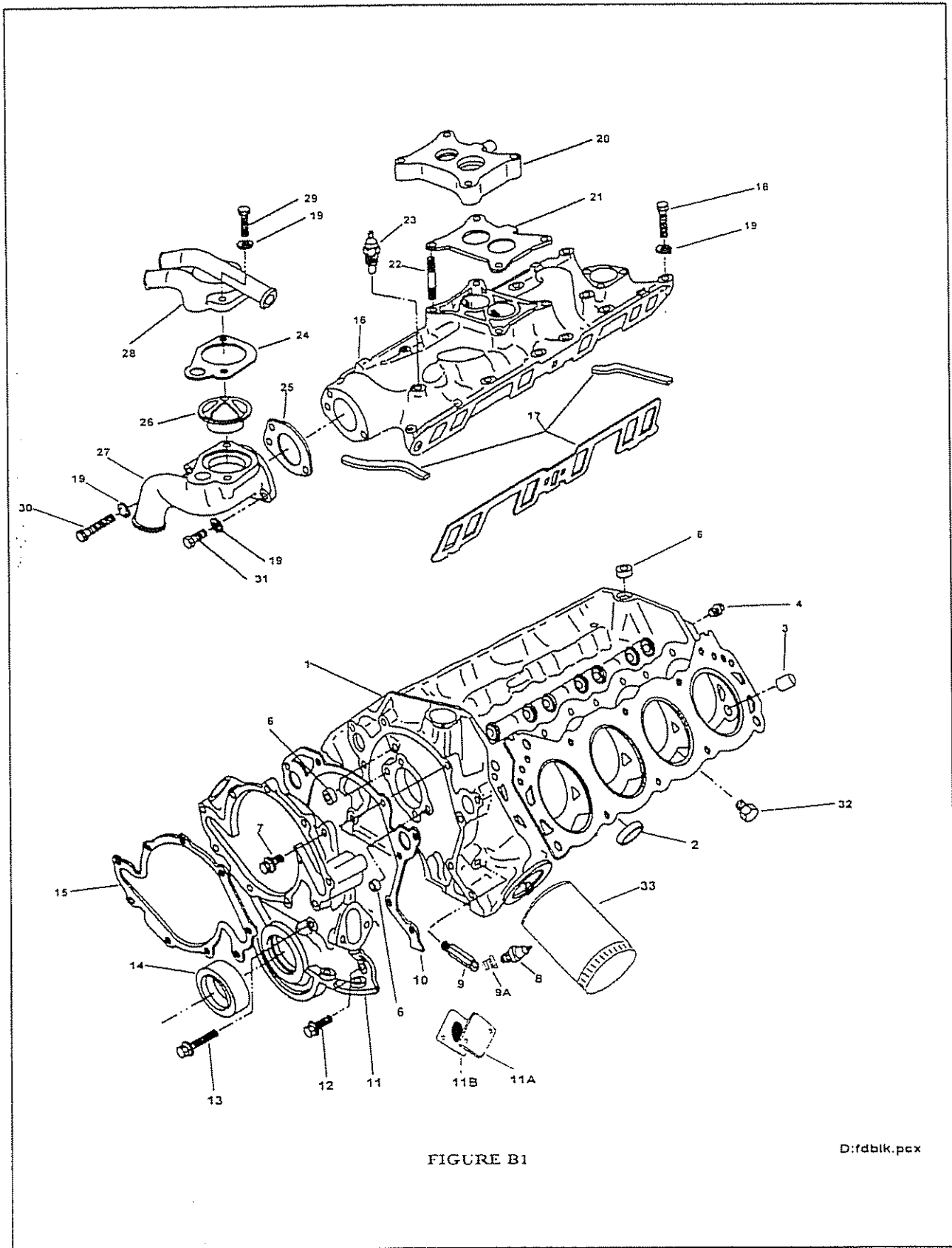


FIGURE B1

D:\fdblk.pcx

FORD BLOCK, INTAKE MANIFOLD AND THERMOSTAT GROUP

REF NO.	PART NUMBER	CODE	DESCRIPTION	QTY	APP	ROT
29	RS3927	U	Bolt, Thermostat Cover Sea Water * 5/16" 18 x 1" Socket Head	2	All	All
30	RS0292	U	Bolt, Thermostat To Manifold Sea Water Cooled * 5/16" 18 x 3 1/2"	1	All	All
31	RS0282	U	Bolt, Thermostat Housing To Intake Sea Water Cooled*5/16 18 x 1"	1	All	All
32	RS3552	U	Plug, Block Drain Brass 1/4" NPT	2	All	All
33	R077001	F	Filter, Engine Oil	1	All	All

Conversion Gasket Sets. Combine with Valve Grind Kits for Overhaul Gasket Kit

NI	RM0069/70	F	Gasket Set, 2 Piece Rear Main Seal 1980 And Prior	1	5.0	All
NI	RM0071/72	F	Gasket Set, 2 Piece Rear Main Seal 1982 And Prior	1	5.8	All
NI	RM0069A	F	Gasket Set, 1 Piece Rear Main Seal 1981 On	1	5.0	LH
NI	RM0070A	F	Gasket Set, 1 Piece Rear Main Seal 1981 On	1	5.0	RH
NI	RM0071A	F	Gasket Set, 1 Piece Rear Main Seal 1983 On	1	5.8	LH
NI	RM0072A	F	Gasket Set, 1 Piece Rear Main Seal 1983 On	1	5.8	RH

* Parts For Fresh Water {Anti Freeze} Cooling Are Listed On Page C3-1

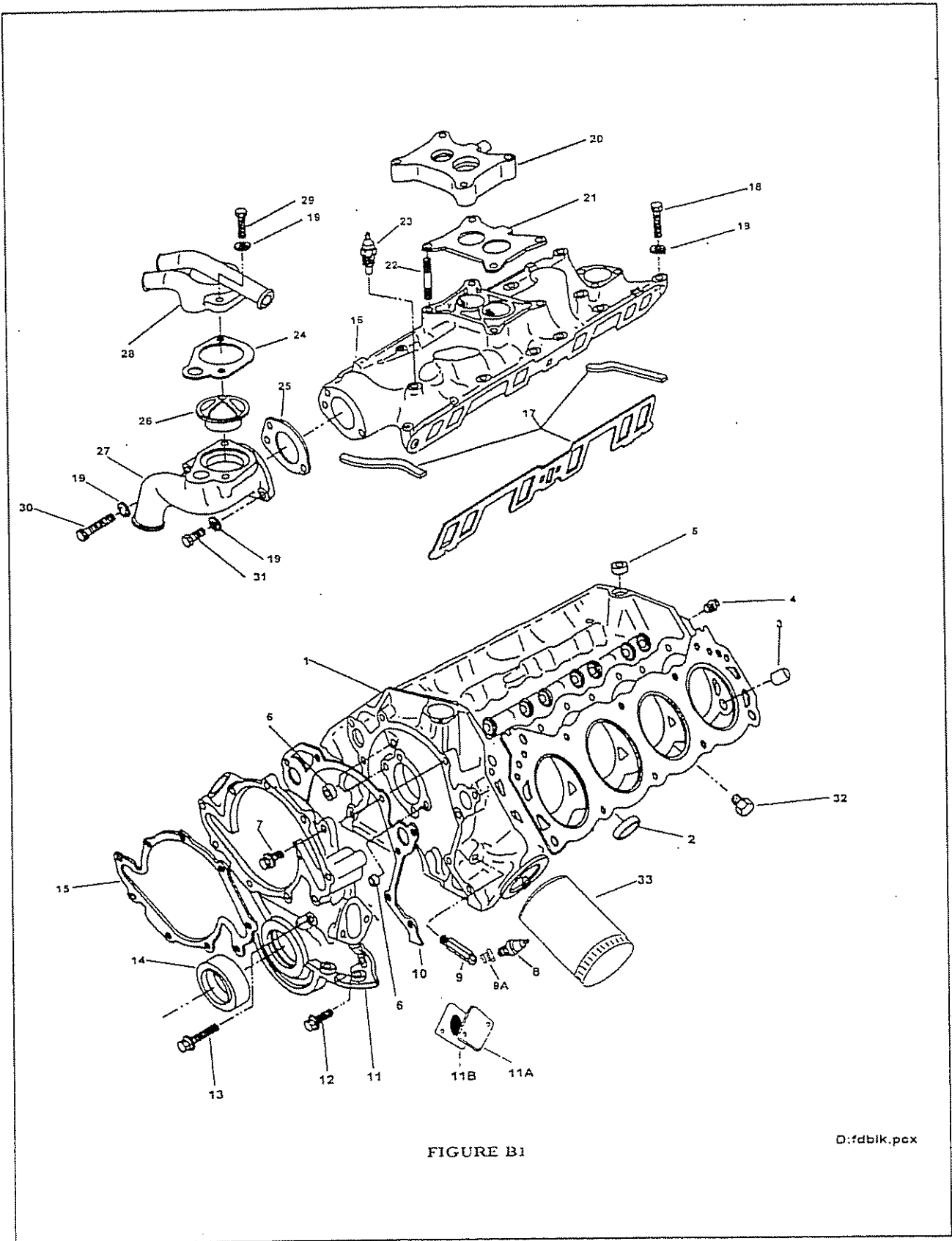


FIGURE B1

D:\fdbik.pex

GM 5.0 AND 5.7 BLOCK GROUP

REF NO.	PART NUMBER	CODE	DESCRIPTION	QTY	APP	ROT
1	RB001004	GM	Engine, Base {PA, PF}	1	5.0	LH
1	RB001004A	GM	Engine, Base {PB, PH}	1	5.0	RH
1	RB001004	GM	Engine, Base {PD Front Ring Gear}	1	5.0	LH
1	RB001005	GM	Engine, Base {WN, AN}	1	5.7	LH
1	RB001005A	GM	Engine, Base {WR, AR}	1	5.7	RH
1	RB001005B	GM	Engine, Base {WK, AK 4 Bolt}	1	5.7 HO	LH
1	RB001005E	GM	Engine, Base {AB Stern Drive Front Ring Gear Flywheel}	1	5.7 Stern Dive	LH
1	RB001005F	GM	Engine, Base {CF Roller Cam Rear Ring Flywheel}	1	5.7	LH
1	RB001005G	GM	Engine, Base {CD Roller Cam Front Ring Flywheel}	1	5.7	LH
1	RB001005H	GM	Engine, Base {CK, MK Roller Cam Rear Ring Flywheel}	1	5.7 HO 1997 On	LH
1	RB001005I	GM	Engine, Base {MH Rear Ring Gear}	1	5.7 HO 1998 On	LH
2	RA013005	GM	Piston, Includes Pin	8	5.7	All
2	RA013006	GM	Piston, Includes Pin	8	5.7 HO	LH
2	RA013007	GM	Piston, Includes Pin	8	5.0	All
2	RA013013	GM	Piston, Includes Pin	8	5.7 CK, MK	All
3	R015004	GM	Set, Piston Ring Standard	1	5.7	All
3	R015005	GM	Set, Piston Ring Standard	1	5.7 HO	LH
3	R015006	GM	Set, Piston Ring Standard	1	5.0	All
5-7	RK051030	GM	Set, Bearing, Cam Standard	1	5.0, 5.7	All
12	R022020	GM	Pin, Cylinder Head Dowel	4	5.0, 5.7	All
17	RK007020	GM	Set, Bearing, Main Standard	1	5.0, 5.7	All
19	R006016	GM	Crankshaft {5.7 Thru 1985}	1	5.7 Std	LH
19	R006017	GM	Crankshaft {5.7 1986 On}	1	5.7 Std	LH
19	R006018	GM	Crankshaft {5.7 Thru 1985}	1	5.7 Std	RH
19	R006019	GM	Crankshaft {5.7 1986 On}	1	5.7 Std	RH
19	R006020	GM	Crankshaft {5.7 HO Thru 1985}	1	5.7 HO	LH
19	R006021	GM	Crankshaft {5.7 HO 1986 On}	1	5.7 HO	LH
19	R006022	GM	Crankshaft {5.0 Thru 1985}	1	5.0	LH
19	R006023	GM	Crankshaft {5.0 1986 On}	1	5.0	LH
19	R006024	GM	Crankshaft {5.0 Thru 1985}	1	5.0	RH
19	R006025	GM	Crankshaft {5.0 1986 On}	1	5.0	RH
20	RA011006	GM	Rod, Connecting	8	5.7 Std	All
20	RA011007	GM	Rod, Connecting	8	5.7 HO	LH
20	RA011008	GM	Rod, Connecting	8	5.0	All
21	RA050011	GM	Camshaft	1	5.0, 5.7	LH
21	RA050012	GM	Camshaft	1	5.0, 5.7	RH
21	RA050013	GM	Camshaft	1	5.7 HO	LH
21	RA050021	GM	Camshaft	1	5.7 HO 1997 On	LH
21	RA050022	GM	Camshaft; 5.7 GM RH Engine	1	5.7 HO 1997 On	RH
23	R047172	GM	Seal, Rear Main {2 Piece. Thru 1985}	1	5.0, 5.7	LH
23	R047173	GM	Seal, Rear Main {1 Piece. 1986 On}	1	5.0, 5.7	LH
23	R047174	GM	Seal, Rear Main {2 Piece. Thru 1985}	1	5.0, 5.7	RH
23	R047175	GM	Seal, Rear Main {1 Piece. 1986 On}	1	5.0, 5.7	RH
24	RA138007	GM	Flywheel, With Ring Gear {All Thru 1985}	1	5.0, 5.7	All
24	RA138008	GM	Flywheel, With Ring Gear {All 1986 On}	1	5.0, 5.7	All
24	RA138010	GM	Flywheel, 14" With Ring Gear For Front Entry Starter	1	5.0, 5.7	All
24	RA138011	GM	Flywheel, 12 3/4" With Ring Gear For Front Entry Starter	1	5.0, 5.7	All
26	R064009	GM	Balancer, Harmonic {All Standard Engines}	1	5.0, 5.7	All
26	R064010	GM	Balancer, Harmonic {All 5.7 HO Engines}	1	5.7 HO	LH
28	R054023	GM	Sprocket, Crankshaft {All thru 1986}	1	5.0, 5.7	LH
28	R054024	GM	Sprocket, Crankshaft {All 1987 On}	1	5.0, 5.7	LH
28/29	R054027	GM	Gear Set, Crankshaft And Camshaft {Matched Set}	1	5.0, 5.7	RH
29	R054025	GM	Sprocket, Camshaft {All thru 1986}	1	5.0, 5.7	LH
29	R054026	GM	Sprocket, Camshaft {All 1987 On}	1	5.0, 5.7	LH
31	R055010	GM	Chain, Timing {All thru 1986}	1	5.0, 5.7	LH
31	R055011	GM	Chain, Timing {All 1987 On}	1	5.0, 5.7	LH
32	RA079028	GM	Adapter, Oil Filter	1	5.0, 5.7	All
32A	R079063	GM	Adapter, With "O" Ring Block Side of Remote Oil Filter System	1	All GM	All
32B	R079062	GM	Adapter, Remote Oil Filter	1	All	All
33	R009089	GM	Bolt, Oil Filter Adapter	2	5.0/ 5.7	All

THE ILLUSTRATION FOR REFERENCE NUMBERS ON THIS PAGE WILL BE FOUND ON FIGURE B2

SMALL BLOCK - CHEVROLET
BLOCK GROUP

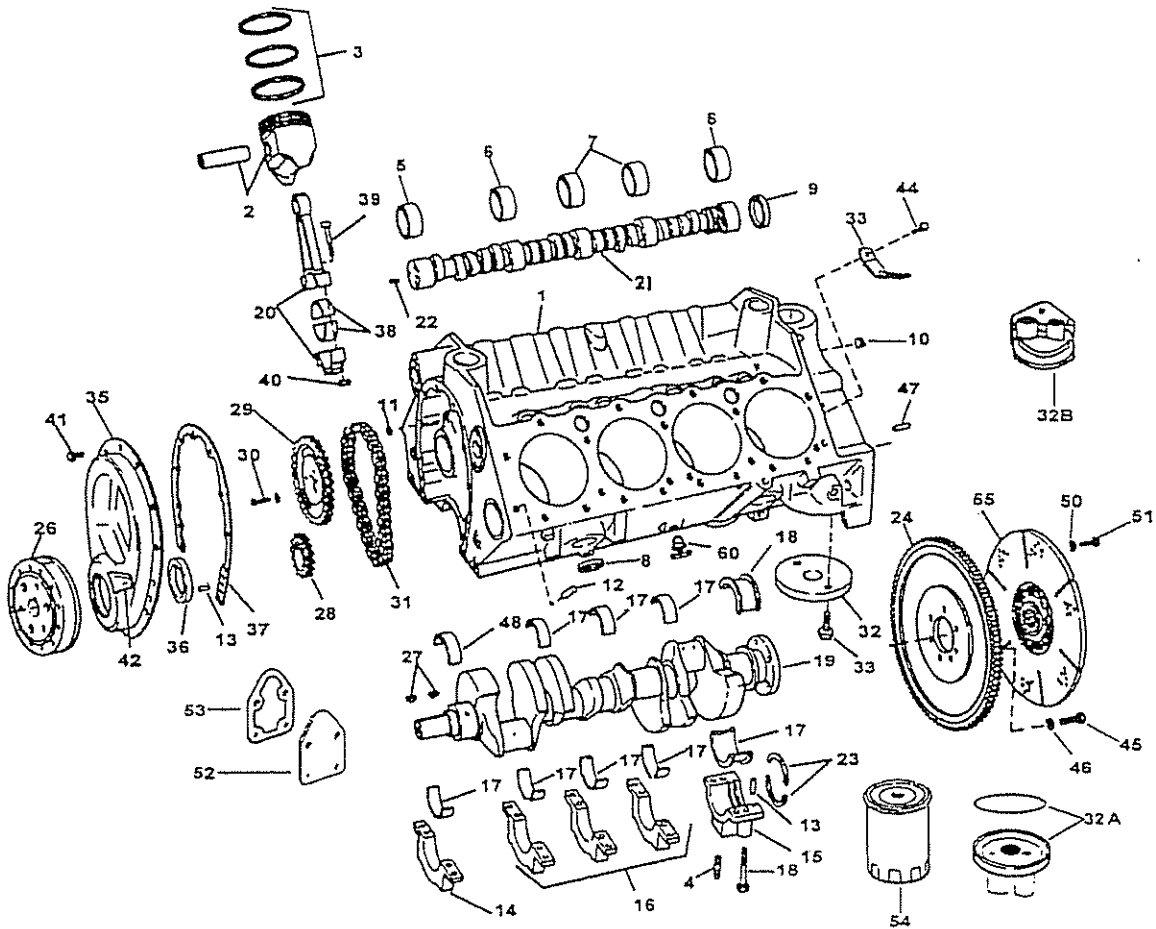


FIGURE B2

D:gm50a

GM 5.0 AND 5.7 BLOCK GROUP

REF NO.	PART NUMBER	CODE	DESCRIPTION	QTY	APP	ROT
33	R009089	GM	Bolt, Oil Filter Adapter	2	5.0/ 5.7	All
35	R004005	GM	Cover, Timing Gear	1	5.0/ 5.7	All
35	R004010	GM	Cover, Timing Chain. (MK CF And CD Plastic, Includes Seal)	1	5.7 HO 1997 On	All
35	R004007	GM	Cover, Without Indicator Plate Timing Gear	1	5.0, 5.7 1991-96	LH
35	R004008	GM	Cover, With Indicator Plate Timing Gear	1	5.0, 5.7 1991-96	RH
36	R047178	GM	Seal, Timing Cover (N/A To MK, CF or CD Engines) *See Note	1	5.0/ 5.7 Thru 96	LH
36	R047179	GM	Seal, Timing Cover	1	5.0/ 5.7 Thru 96	RH
37	RM0190	GM	Gasket, Timing Cover	1	5.0/ 5.7	All
37	RM0248	GM	Gasket, Timing Chain Cover To Block	1	5.7 HO 1997 On	All
37	RT0083	GM	Sealer, Timing Chain Cover To Block	AR	5.7 HO 1997 On	All
38	R007022	GM	Bearing, Rod Insert	8	5.0/ 5.7	All
38	R007025	GM	Bearing, Rod Insert	8	5.7 HO 1997 On	All
41	R009176	GM	Bolt, Long Timing Cover Attaching, 1 1/2" Long	2	5.7 HO 1997 On	All
41	R009177	GM	Bolt, Short Timing Cover Attaching, 7/8" Long	6	5.7 HO 1997 On	All
45	R009140	GM	Bolt, Flywheel Attaching	6	5.0/ 5.7	All
51	R009092	GM	Bolt, Damper Attaching	3	5.0/ 5.7	All
52	R109047	GM	Plate, Fuel Pump Hole Cover	1	Electric F/P	All
53	RM0122	GM	Gasket, Fuel Pump Plate to Block	1	All	All
NI	R079044	GM	Retainer, Crankshaft 1 Piece Seal {All 1986 On}	1	5.0, 5.7	LH
NI	R079045	GM	Retainer, Crankshaft 1 Piece Rear Seal {All 1986 On}	1	5.0, 5.7	RH
NI	RK079027	GM	Kit, Remote Oil Filter {Optional}	1	5.0, 5.7	All
54	R077002	GM	Filter, Engine Oil	1	5.0, 5.7	All
55	R140004	GM	Damper, Drive Plate For Warner Transmission	1	5.0/ 5.7	All
55	R140016	GM	Damper, Drive Plate For PCM Transmission	1	5.0/ 5.7	All

NOTE: A plastic cover is used on MK, CF, And CD engines and the complete cover must be replaced

SMALL BLOCK - CHEVROLET
BLOCK GROUP

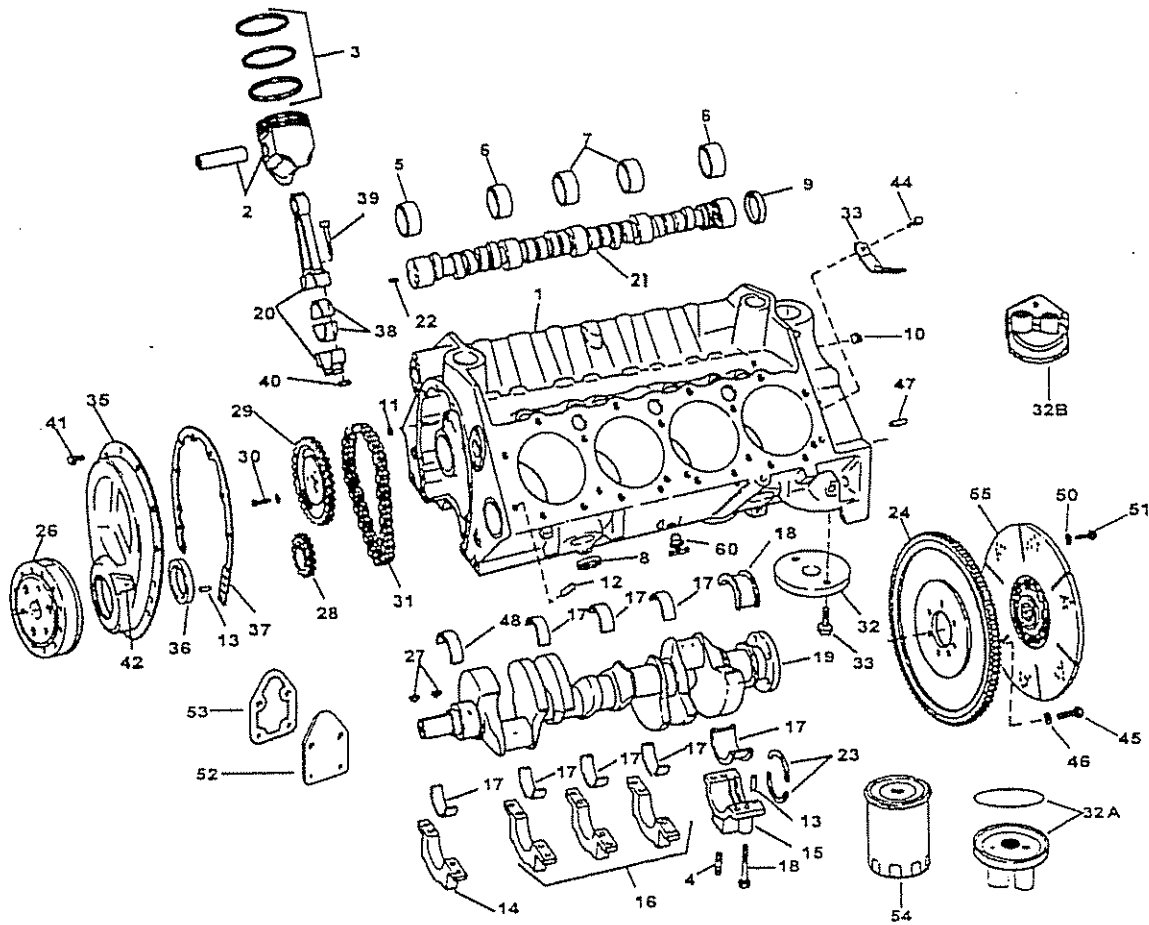
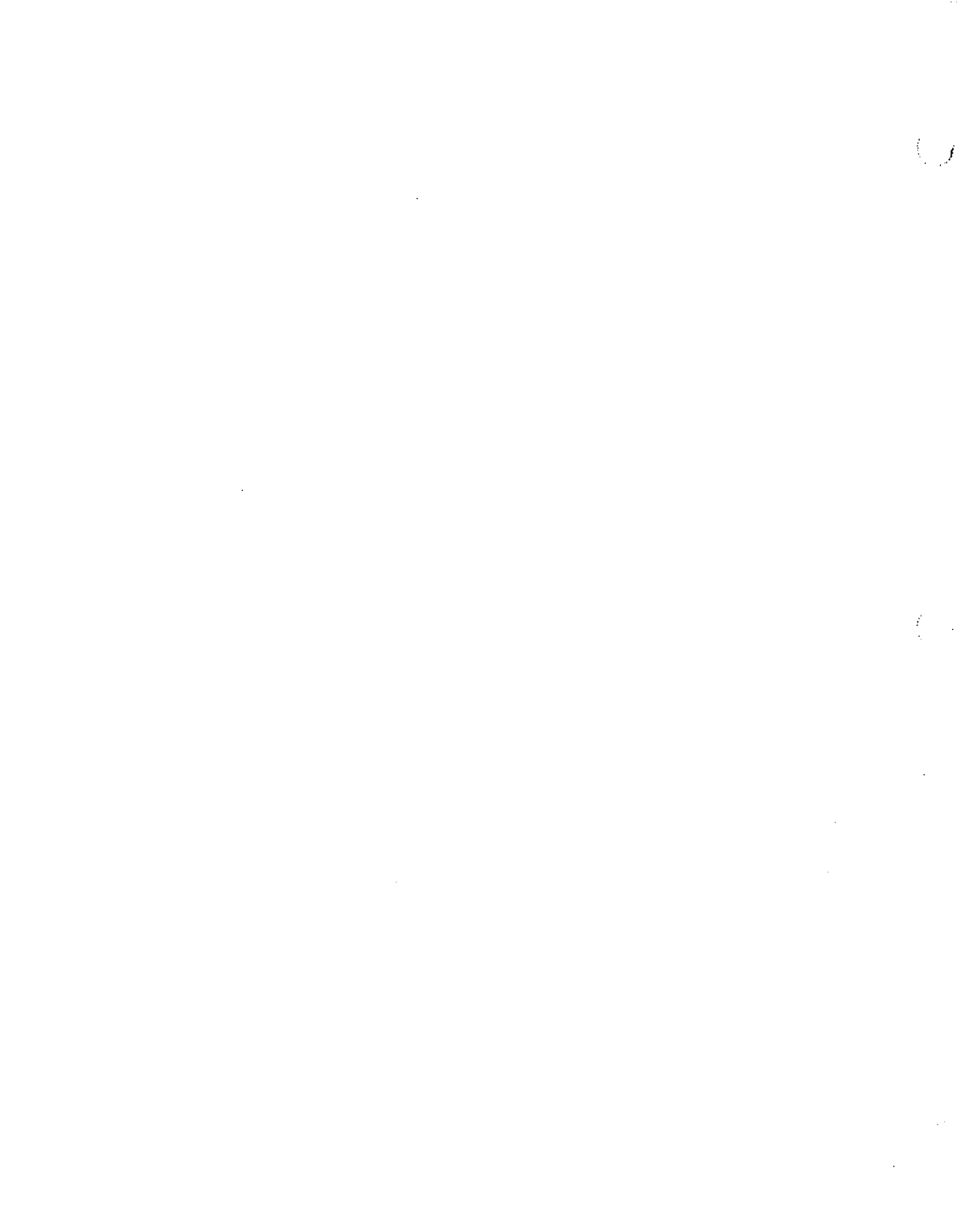


FIGURE B2

D:gm50a



SMALL BLOCK - CHEVROLET
BLOCK GROUP

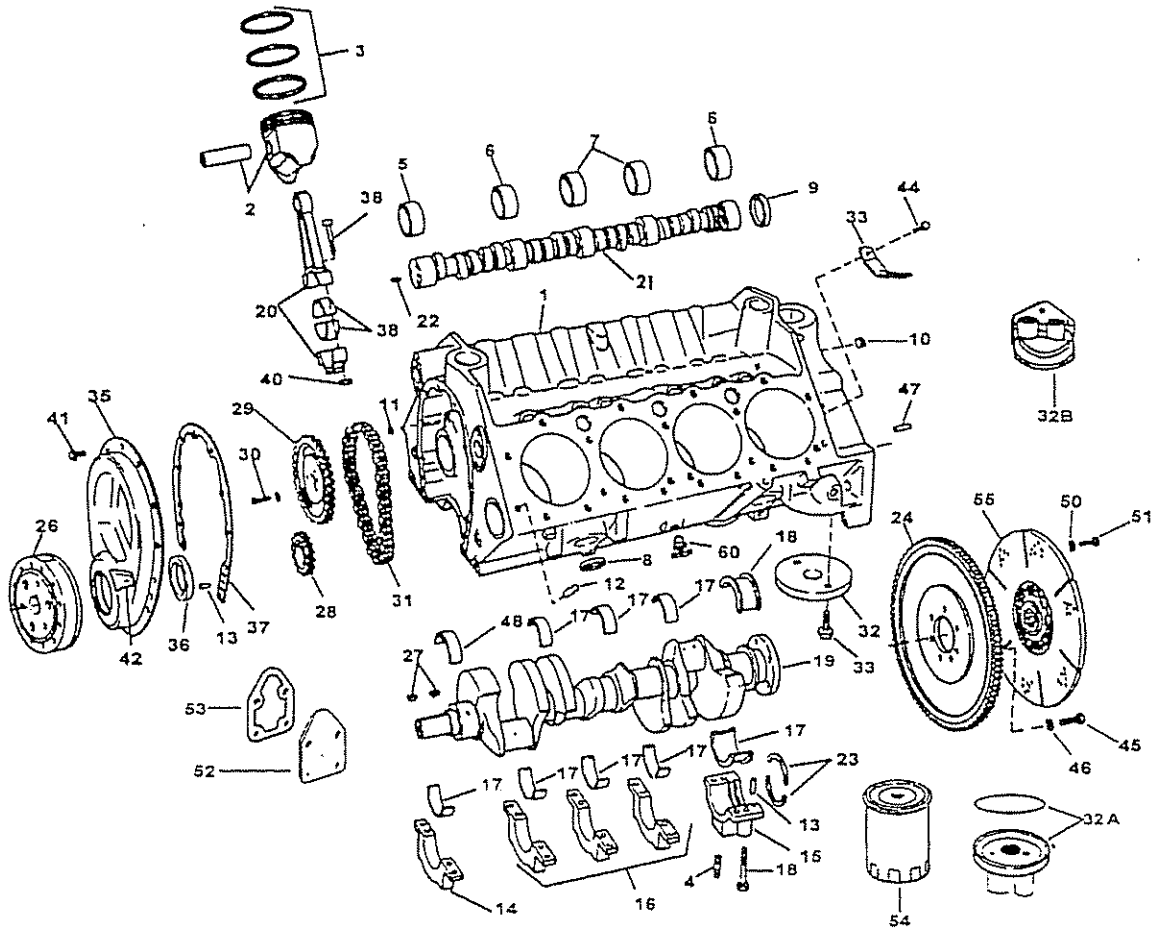


FIGURE B2

D:gm50a

GM 7.4/8.2 BLOCK GROUP

REF NO.	PART NUMBER	CODE	DESCRIPTION	QTY	APP	ROT
1	RB001006C	GM	Long Block Assembly - XF, HF, UF 4 Bolt Main	1	7.4 HO	LH
1	RB001006E	GM	Long Block Assembly - UK	1	7.4 TBI	LH
1	RB001006F	GM	Long Block Assembly - XY 1998 On	1	7.4 MPI	LH
1	RB001013A	GM	Long Block Assembly - HH (Top Mounted Starter)	1	8.2	LH
1	RB001013E	GM	Long Block Assembly - HH (Bottom Mounted Starter)	1	8.2	LH
2	RA013008	GM	Piston, With Pin - Standard	8	7.4 Std	All
2	RA013009	GM	Piston, With Pin - Standard	8	7.4 HO	LH
3	R015007	GM	Set, Ring Standard Piston	1	All	All
5-7	RK051031	GM	Set, Bearing, Cam Standard	1	All	All
12	R022001	GM	Pin, Cylinder Head Dowel	4	All	All
17	RK007021	GM	Set, Bearing, Main Standard	1	All	All
20	RA011009	GM	Rod, Connecting	8	7.4 Std	All
20	RA011010	GM	Rod, Connecting	8	7.4 HO	LH
21	RA050014	GM	Camshaft	1	7.4 Std	LH
21	RA050015	GM	Camshaft	1	7.4 Std	RH
21	RA050016	GM	Camshaft	1	7.4 HO	LH
23	R047176	GM	Seal, Rear Main	1	All LH	LH
23	R047177	GM	Seal, Rear Main	1	All RH	RH
23	R047205	GM	Seal, Oil Rear Main LH (One Piece)	1	7.4 LH	LH
23	R047206	GM	Seal, Oil Rear Main RH (One Piece)	1	7.4 RH	RH
24	RA138009	GM	Flywheel	1	All	All
25	R006026	GM	Crankshaft	1	7.4 Std	LH
25	R006027	GM	Crankshaft	1	7.4 Std	RH
25	R006028	GM	Crankshaft	1	7.4 HO	LH
26	R064011	GM	Balancer, Harmonic	1	7.4 Std	All
26	R064012	GM	Balancer, Harmonic	1	7.4 HO	LH
28	R054028	GM	Sprocket, Crankshaft Timing	1	7.4 Std	LH
28	R054029	GM	Gear, Crankshaft Timing	1	7.4 Std	RH
28	R054030	GM	Sprocket, Crankshaft Timing	1	7.4 HO	LH
29	R054031	GM	Sprocket, Camshaft Timing	1	7.4 Std	LH
29	R054032	GM	Gear, Camshaft Timing	1	7.4 Std	RH
29	R054033	GM	Sprocket, Camshaft Timing	1	7.4 HO	LH
31	R055012	GM	Chain, Timing	1	7.4 Std	LH
31	R055013	GM	Chain, Timing	1	7.4 HO	LH
32	RA079028	GM	Adapter, Oil Filter {Bolted To Block}	1	All	All
33	RA079048	GM	Fitting, Oil Filter Adapter {Threads Into Block}	1	All	All
34	R009089	GM	Bolt, Oil filter Adapter RA079028 To Block Attaching	2	All	All
35	R004006	GM	Cover, Timing Chain	1	All	All
36	R047180	GM	Seal, Timing Chain Cover	1	7.4 RH	RH
36	R047220	GM	Seal, Timing Chain Cover	1	7.4 LH	LH
37	RM0191	GM	Gasket, Timing Chain Cover	1	All	All
38	R007022	GM	Bearing, Connecting Rod Standard	8	All	All
45	R009140	GM	Bolt, Flywheel To Crankshaft Attaching	6	All	All
51	R009092	GM	Bolt, Drive Damper Attaching	3	All	All
53	R140005	GM	Damper, Transmission Drive	1	All	All
54	R0770022	GM	Filter, Oil	1	All	All
NI	R109039	GM	Bearing, Camshaft Thrust	1	RH only	RH
NI	RK079029	GM	Kit, Remote Oil Filter	1	Optional	All

THE ILLUSTRATION FOR REFERENCE NUMBERS ON THIS PAGE WILL BE FOUND ON FIGURE B3

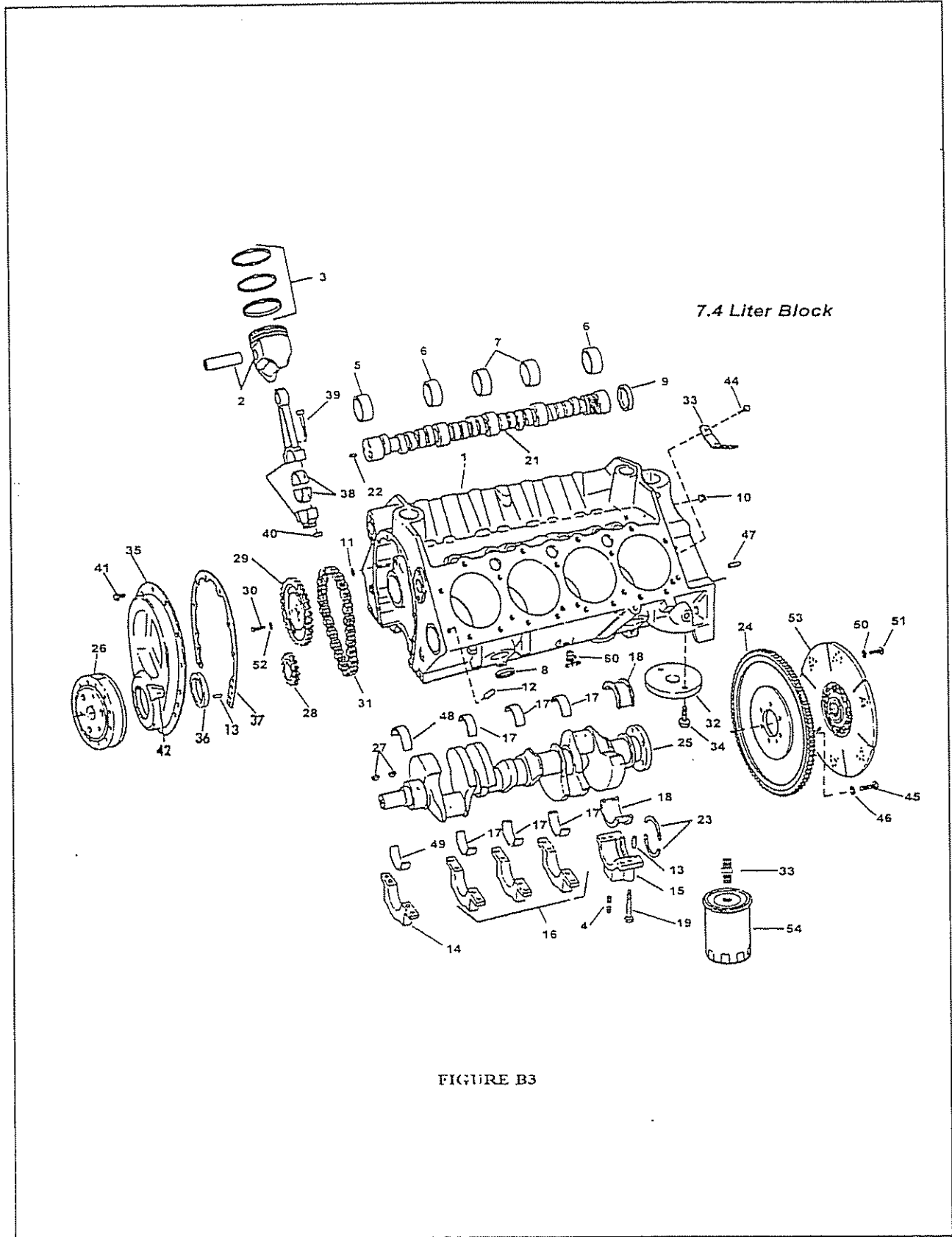


FIGURE B3

FORD CYLINDER HEAD AND VALVE COVER GROUP

REF NO.	PART NUMBER	CODE	DESCRIPTION	QTY	APP	ROT
---------	-------------	------	-------------	-----	-----	-----

FORD CYLINDER HEADS

1	RA003002D	F	Head, Cylinder Assy 14mm Spark Plugs And Stamped Rockers	2	5.0, 1985 On	All
1	RA003005D	F	Head, Cylinder Assy 14mm Spark Plugs And Stamped Rockers	2	5.8, 1985 On Std	All
1	RA0030012	F	Head, Cylinder Assy 14mm Spark Plugs And Stamped Rockers	2	5.8, 1991 On HO	All
2	RM0018V	F	Gasket, Cylinder Head {FORD}	2	All	All
2	RM0018	F	Gasket, Cylinder Head {FEL PRO}	2	All	All
3	R035005	F	Lifter, Assembly	16	All	All
4	R039001	F	Rod, Push	16	5.0	All
4	R039002	F	Rod, Push	16	5.8	All
5	RM0057A	F	Kit, Intake Manifold Gasket	1	All, 1971 To 85	All
5	RM0187	F	Kit, Intake Manifold Gasket	1	5.0, 1986 On	All
5	RM0186	F	Kit, Intake Manifold Gasket	1	All 5.8	All
6	RP030001	F	Spark Plug, 18mm, Set of 8	1	All, 1971 To 74	All
6	RP030002	F	Spark Plug, 14mm, Set of 8	1	All Std	All
6	RP030007	F	Spark Plug, 14mm, Set of 8	1	All 5.8 HO	All
7	R095009A	F	Stud, Rocker Arm	16	All, 1971 To 77	All
7	R009100	F	Bolt, Rocker Arm	16	All, 1978 On	All
8	R017023	F	Nut, Rocker Arm Fulcrum	16	All, 1971 To 77	All
9	R038002	F	Fulcrum, Rocker Arm	16	All, 1971 To 77	All
9	R038006	F	Fulcrum, Rocker Arm	16	All, 1978 On	All
10	R034013	F	Cap, Exhaust Valve Stem	8	All, 1977 To 81	All
11	R038001	F	Arm, Rocker Cast Iron	16	All, 1971 To 78	All
11	R038005	F	Arm, Rocker Stamped Steel	16	All, 1978 On	All
12	R049001	F	Lock, Valve Spring Retainer	32	All, 1971 On	All
12A	R176008	F	Sleeve, Valve Spring Retainer	8	All, 1971 On	All
13	R048036	F	Retainer, Valve Springs	8	All	All
13	R048091	F	Retainer, Exhaust Valve Spring	8	All, 1977 On	All
14	R047038	F	Seals, Valve Stem	16	All, 1971 To 85	All
14	RK047159	F	Kit, Valve Stem Seal	1	5.0, 1986 On	All
14	RK047160	F	Kit, Valve Stem Seal	1	5.8, 1986 On	All
15	R046011	F	Spring, Intake And Exhaust Valve	16	All, 1971 To 77	All
15	R046026	F	Spring, Exhaust Valve	8	All, 1978 On Std	All
15	R046046	F	Spring, Exhaust Valve	8	5.8, 1991 On HO	All
15	R046048	F	Spring, Dual Style {Inner And Outer} Exhaust Valve	8	5.8, 1994 On HO	All
15	R046027	F	Spring, Intake Valve	8	All, 1978 On Std	All
15	R046045	F	Spring, Intake Valve	8	5.8, 1991 On HO	All
15	R046047	F	Spring, Dual Style {Inner And Outer} Intake Valve	8	5.8, 1994 On HO	All
16	R043002A	F	Valve, Intake	8	All, 1971 To 74	All
16	R043018	F	Valve, Intake	8	All, 1978 On Std	All
16	R043030	F	Valve, Intake	8	5.8, 1991 On HO	All
16	R043001A	F	Valve, Exhaust	8	All, 1971 To 74	All
16	R043020	F	Valve, Exhaust	8	All, 1975 To 76	All
16	R043019	F	Valve, Exhaust	8	All, 1977 On Std	All
16	R043029	F	Valve, Exhaust	8	5.8, 1991 On HO	All
17	RS3556	U	Plug, 3/4" NPT Cast Iron	6	All	All
18	R009027	F	Bolt, Cylinder Head Long, 7/16"	10	5.0	All
18	R009028	F	Bolt, Cylinder Head Short, 7/16"	10	5.0	All
19	R009040	F	Bolt, Cylinder Head Long, 1/2"	10	5.8	All
19	R009041	F	Bolt, Cylinder Head Short, 1/2"	10	5.8	All
20	R042001	F	Eye, Lifting	2	All	All
20A	R036006	F	Adapter, Lifting Eye Head Insert	2	All	All
21	RS2181	U	Washer, Spring Lock 7/16"	2	All	All
22	R078001	F	Guide, Fulcrum	8	All	All
23	R069008	U	Plug, Core Freeze	4	All	All
NI	RM0062	F	Kit, Valve Grind Gasket	1	5.0, 1971 To 85	All
NI	RM0232	F	Kit, Valve Grind Gasket	1	5.0, 1986 On	All
NI	RM0059	F	Kit, Valve Grind Gasket	1	5.8, 1971 To 86	All
NI	RM0188	F	Kit, Valve Grind Gasket	1	5.8 1987 On	All

Valve Grind Sets Consists of:

- 2 Head Gasket, 1 Intake Set, 1 Exhaust Gasket Set, 1 Distributor Gasket, 1 Thermostat Cover Gasket,
- 1 Thermostat Body Gasket, 1 Valve Stem Seal Set

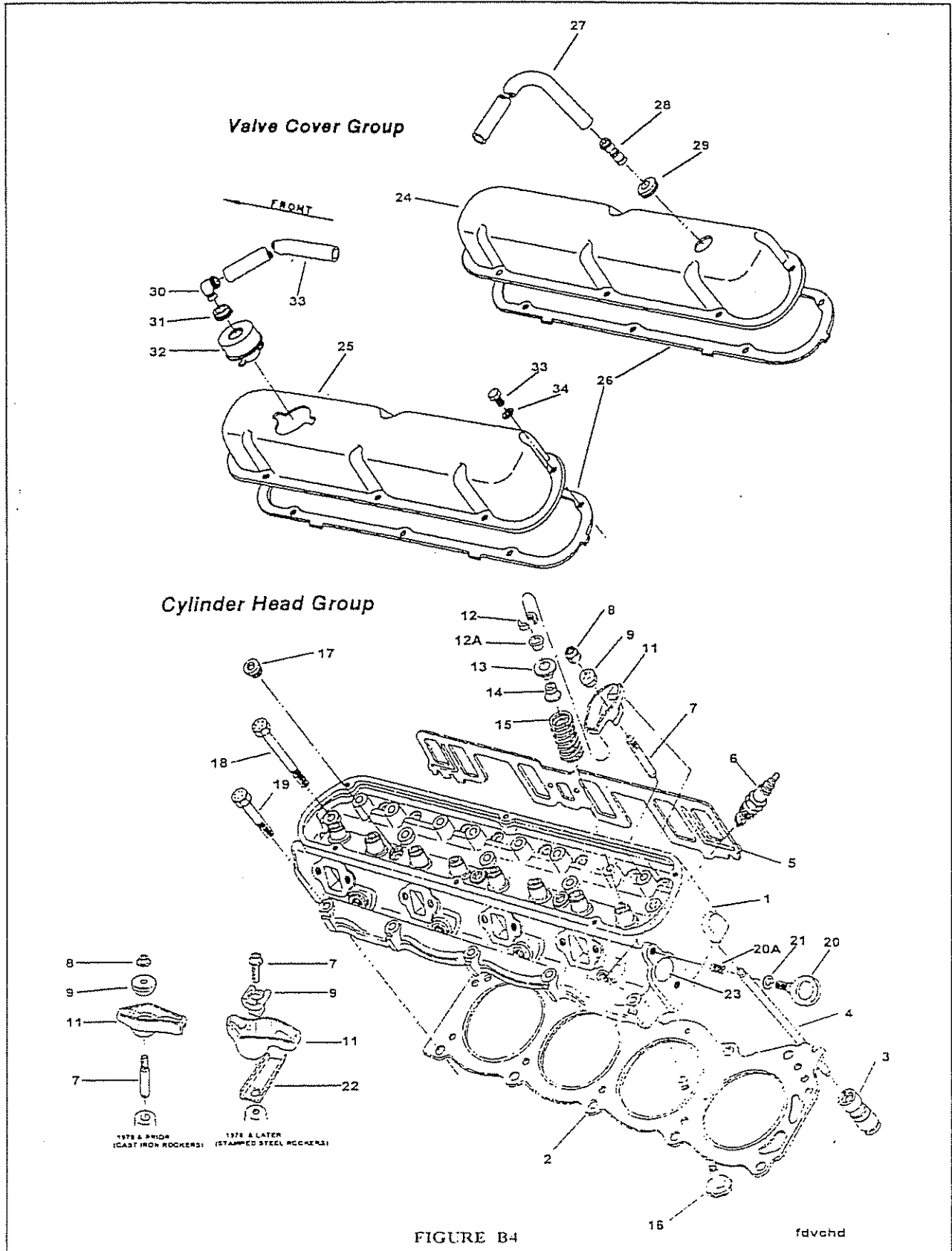


FIGURE B-4

FORD CYLINDER HEAD AND VALVE COVER GROUP

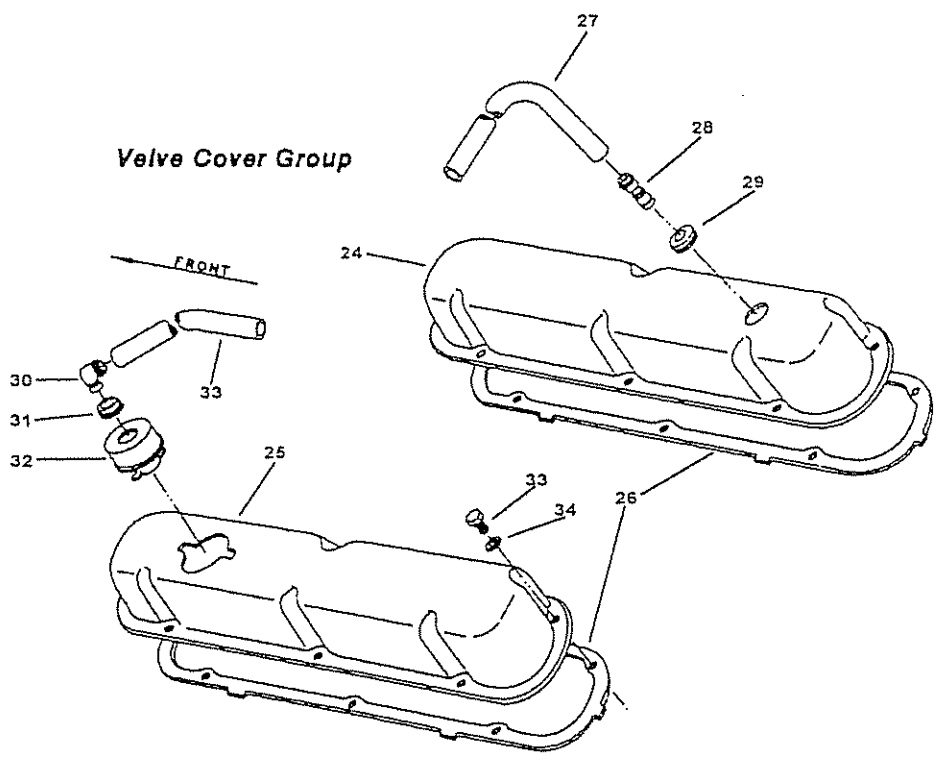
REF NO.	PART NUMBER	CODE	DESCRIPTION	QTY	APP	ROT
---------	-------------	------	-------------	-----	-----	-----

FORD VALVE COVERS

24	R033002A	F	Cover, Valve Right	1	All	All
24	R033002C	F	Cover, Valve Right Chrome Plated	1	Optional	All
25	R033001B	F	Cover, Valve Left With Oil Fill	1	All	All
25	R033001D	F	Cover, Valve Left With Oil Fill Chrome Plated	1	Optional	All
26	RM0039	F	Gasket, Valve Cover {Cork}	2	All	All
26	RM0229	F	Gasket, Valve Cover {Rubber Coated Steel}	2	All	All
27	R045050	F	Hose, PCV 3/8" Raw Water Cooling	1	All	All
27	R045028	F	Hose, PCV 1/2" Fresh Water Cooling	1	All	All
28	R035004	F	Valve, PCV 1/2" Nipple Fresh Water Cooling	1	All	All
28	R035007	F	Valve, PCV 3/8" Nipple Raw Water Cooling	1	All	All
28	R035023	F	Valve, PCV 90°	1	Power Plus	All
29	R094005	F	Grommet, PCV Valve	1	AR	All
29	R094032	F	Grommet, PCV Valve 1 7/8" OD	1	AR	All
29	R094027	F	Grommet, (For Die Cast Cover) 1 1/2" OD	2	Optional	All
30	R024013	F	Elbow, Breather Cap	1	All	All
31	R094002	F	Grommet, Breather Cap	1	All	All
32	R034001	F	Cap, Breather	1	All 1971 Thru 85	All
32	R034026	F	Cap, Oil Fill {Raised Oil Fill}	1	All 1986 On	All
32	R034036	F	Cap	1	Power Plus	All
33	RS0251	U	Bolt, Valve Cover 1/4" 20 x 1/2" Standard Ford Cover	6	All	All
33	RS0254	U	Bolt, Valve Cover 1/4" 20 x 7/8" Short Ribbed Aluminum Cover	6	All	All
33	RS5124	U	Bolt, Valve Cover 1/4" 20 x 5/8"	6	All	All
34	RS2178	U	Washer, Lock Valve Cover 1/4"	6	All	All
35	R045008C	F	Hose, Breather To Flame Arrestor	1	All	All

THE ILLUSTRATION FOR REFERENCE NUMBERS ON THIS PAGE WILL BE FOUND ON FIGURE B4

Valve Cover Group



Cylinder Head Group

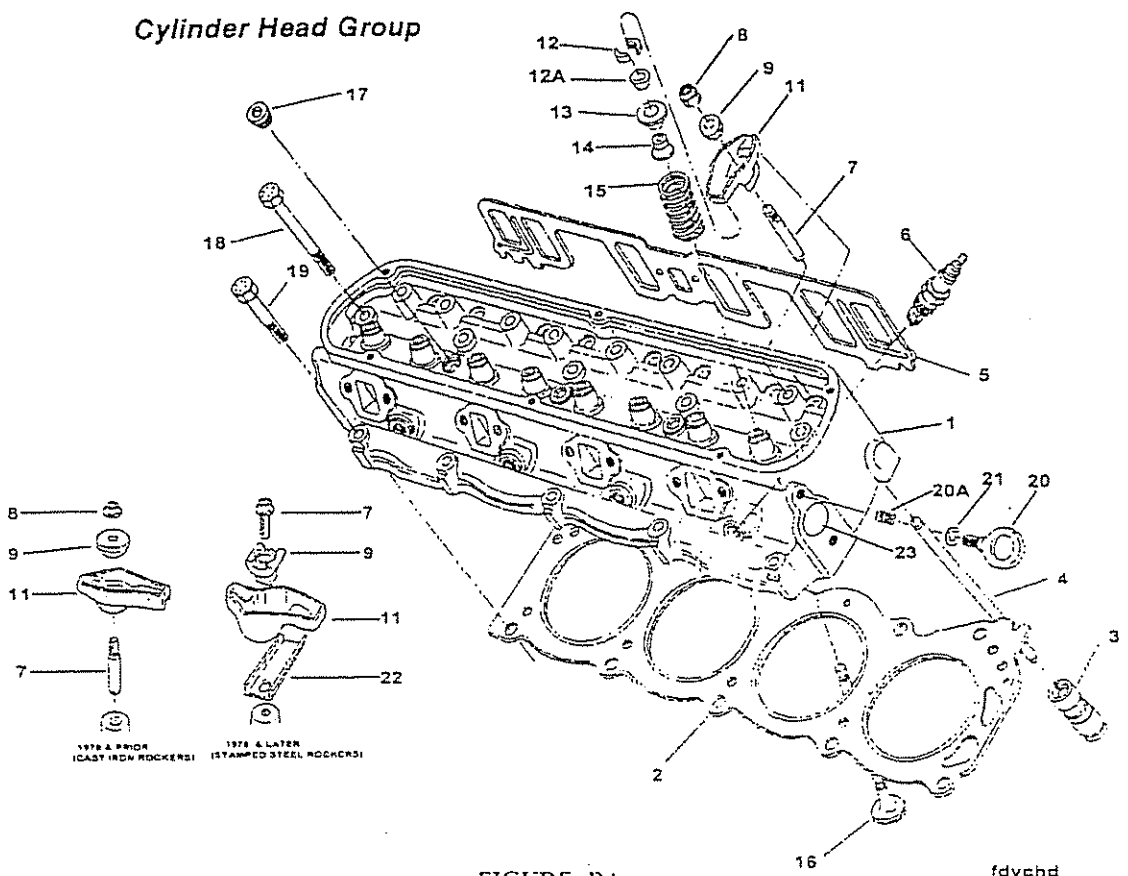


FIGURE B4

fdvchd

GM 5.0 AND 5.7 CYLINDER HEAD GROUP

REF NO.	PART NUMBER	CODE	DESCRIPTION	QTY	APP	ROT
1	R003013	GM	Cylinder Head, Bare {5.7 Carb & TBI 1991 Thru 1997}	2	5.7	All
1	R003014	GM	Cylinder Head; Bare {GEN 1+(E)}	2	5.7 HO	All
2	R095034	GM	Stud, Rocker Arm	16	5.0, 5.7	All
3	R043021	GM	Valve, Inlet Standard	8	5.0	All
3	R043022	GM	Valve, Inlet Standard	8	5.7, 5.7HP	All
3	R043031	GM	Valve, Inlet Standard (91-94)	8	5.7 TBI	All
4	R043023	GM	Valve, Exhaust Standard	8	5.0, 5.7	All
4	R043032	GM	Valve, Exhaust Standard (91-94)	8	5.7 TBI	All
5	RM0192	GM	Gasket, Valve Cover (1 Pair) {1980 Thru 1986}	1	5.0, 5.7	All
5	RM0193	GM	Gasket, Valve Cover (1 Pair) {1987 On}	1	5.0, 5.7	All
6	R034028	GM	Cap, Inlet Valve Spring	8	5.0, 5.7	All
6	R049004	GM	Rotator, Exhaust Valve	8	5.0, 5.7	All
6	R049005	GM	Rotator, Exhaust Valve	8	5.7 HP	LH
7	R049006	GM	Retainer, Valve Spring	32	5.0, 5.7	All
7	R049012	GM	Key; Valve Retaining (91-95)	32	5.7 TBI	All
8	R047181	GM	Seal, Valve Stem {Set of 16}	1	5.0, 5.7	All
8	R047217	GM	Seal, Inlet Valve Stem Oil (94-95 W/RET.)	16	5.7 TBI	All
8	R047218	GM	Seal, Exhaust Valve Stem Oil (94-95)	16	5.7 TBI	All
8	R047219	GM	"O" Ring, Valve Stem Oil Exhaust And Inlet Seal (94-95)	16	5.7 TBI	All
8	R047183	GM	Seal, Intake Valve	8	5.0, 5.7	All
9	R049007	GM	Shield, Valve	16	5.0, 5.7	All
10	R046039	GM	Spring, Valve And Damper	16	5.0, 5.7	All
11	R035021	GM	Lifter, Valve	16	5.0, 5.7	All
11	R035033	GM	Tappet, Assembly Hydraulic Roller Style (94-95)	16	5.7 TBI	All
11	R035038	GM	Tappet, Assembly Hydraulic Roller Style 1996 And 1997	16	APEX	All
NI	R109048	GM	Plate, Valve Lifter Guide (94-95)	1	5.7 TBI	All
12	R009169	GM	Bolt, Cylinder Head Attaching Short 7/16" - 14 x 3 1/16"	4	All 5.7 1991 On	All
12	R009183	GM	Bolt, Cylinder Head Attaching Short 7/16" - 14 x 1 3/4"	16	5.7 1991-94	All
12	R009184	GM	Bolt, Cylinder Head Attaching Short 7/16" - 14 x 3 3/4"	14	5.7 1991-94	All
12	R009168	GM	Bolt, Cylinder Head Attaching Long 7/16" - 14 x 3 51/64"	14	5.7 1995 On	All
12	R009182	GM	Bolt, Cylinder Head Attaching Short 7/16" x 1, 3/4 x .78	16	5.7 1995 On	All
13	R039008	GM	Rod, Push	16	5.0, 5.7	All
13	R039014	GM	Rod, Valve Push (94-95)	16	5.7 TBI	All
14	R038009	GM	Arm, Rocker	16	5.0, 5.7	All
14	R038015	GM	Arm, Valve Rocker Including Arm Ball And Nut (91-95)	16	5.7 TBI	All
15	R038011	GM	Ball, Rocker Arm	16	5.0, 5.7	All
15	R038014	GM	Ball, Valve Rocker Arm (91-95)	16	5.7 TBI	All
16	R017069	GM	Nut, Rocker Arm	16	5.0, 5.7	All
17	R033007	GM	Cover, Valve {5.0, 5.7 Thru 86}	2	5.0, 5.7	All
17	R033008	GM	Cover, Valve {5.0, 5.7 1987 On}	2	5.0, 5.7	All
17	R033009	GM	Cover, Valve Die Cast {5.7 HP thru 1986}	2	5.7 HP	LH
17	R033010	GM	Cover, Valve Die Cast {5.7 HP 1987 On}	2	5.7 HP	LH
20	R024013A	GM	Elbow, Crankcase Vent Hose	1	5.0, 5.7	All
21	RM0195	GM	Gasket, Cylinder Head	2	All	All
21	RM0242	GM	No Longer Available, Use RM0195	2	5.7 TBI	All
22	RP030003	GM	Spark Plug (Skin Pack Set Of 8)	1	5.0, 5.7	All
22	RP030008	GM	Spark Plug; (MR43LTS Skin Pack Set Of 8)	1	5.7 MPI	All
23	R034031	GM	Cap, Oil Fill	2	5.0, 5.7	All
NI	R035015	GM	Valve, Crankcase Ventilation PCV	1	5.0, 5.7	All
NI	R035037	GM	Valve; Crankcase Ventilation PCV	1	5.7 MPI	All
NI	R127091	GM	Retainer, Wire Harness To Valve Cover Bolt (1987 On)	2	5.7	All
NI	R094037	GM	Grommet, Valve Cover Bolt Sealing For Wire Retainer (1987 On)	2	5.7	All

THE ILLUSTRATION FOR REFERENCE NUMBERS ON THIS PAGE WILL BE FOUND ON FIGURE B5

SMALL BLOCK - CHEVROLET
CYLINDER HEAD GROUP

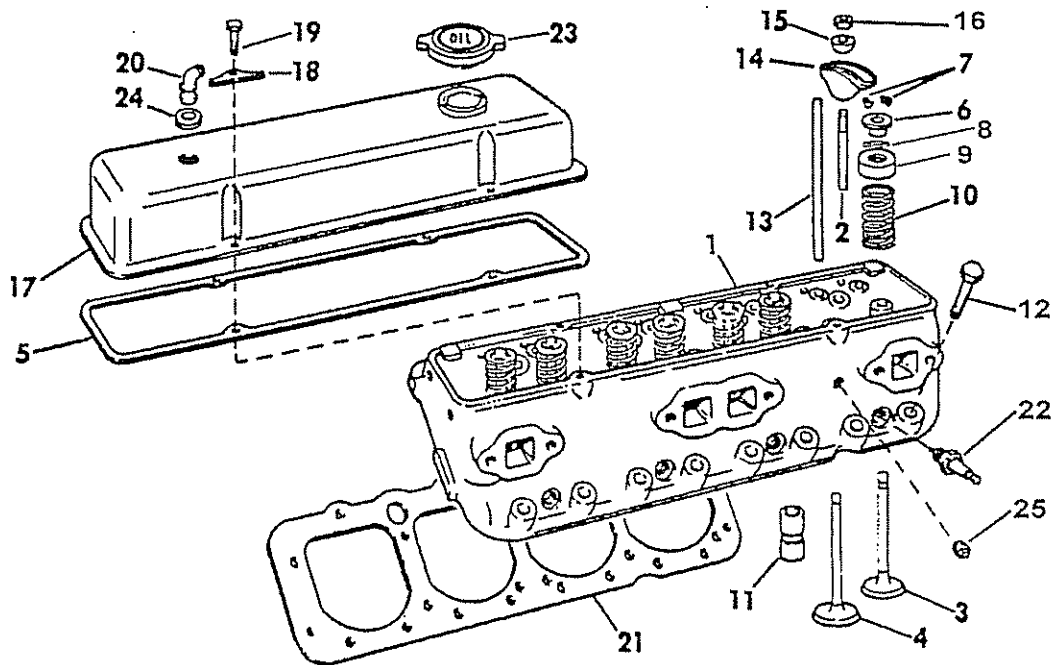


FIGURE B5

GM 7.4 CYLINDER HEAD GROUP

REF NO.	PART NUMBER	CODE	DESCRIPTION	QTY	APP	ROT
1	R003009	GM	Cylinder Head Bare	2	7.4 Std	All
1	R003010	GM	Cylinder Head Bare	2	7.4 HO	LH
2	R095035	GM	Stud, Rocker Arm	16	All	All
3	R043024	GM	Valve, Inlet {Standard}	8	7.4 Std	All
3	R043025	GM	Valve, Inlet {Standard}	8	7.4 HO	LH
4	R043026	GM	Valve, Exhaust {Standard}	8	7.4 Std	All
4	R043027	GM	Valve, exhaust {Standard}	8	7.4 HO	LH
5	RM0194	GM	Gasket, Valve Cover (1 pair)	1	All	All
5	RM0247	GM	Gasket, Valve Cover	2	7.4 1991 On	All
6	R034029	GM	Cap, Valve Spring	16	7.4 Std	All
6	R034030	GM	Cap And Seal, Valve Spring	16	7.4 HO	LH
6	R049008	GM	Rotator, Valve Spring	16	All thru 1985	All
6	R049009	GM	Rotator, Valve Spring	16	All 1986 on	All
7	R049010	GM	Retainer, Valve Spring	32	All	All
8	R047182	GM	Seals, Valve Stem (set of 16)	1	All	All
10	R046040	GM	Spring And Damper, Valve	16	7.4 Std	All
10	R046041	GM	Spring And Damper, Valve	16	7.4 HO	LH
11	R035021	GM	Lifter, Valve	16	7.4 Std	All
11	R035022	GM	Lifter, Valve	16	7.4 HO	LH
12	R009183	GM	Bolt, Head Cylinder Attaching 7/16" - 14 x 4.06"	24	7.4 1991 On	All
12	R009184	GM	Bolt, Head Cylinder Attaching 7/16" - 14 x 2.06"	8	7.4 1991 On	All
13	R039009	GM	Rod, Push {Inlet}	8	7.4 Std	All
13	R039010	GM	Rod, Push {Inlet}	8	7.4 HO	LH
13	R039011	GM	Rod, Push {Exhaust}	8	7.4 Std	All
13	R039012	GM	Rod, Push {Exhaust}	8	7.4 HO	LH
14	R038010	GM	Arm, Rocker	16	All	All
15	R038012	GM	Ball, Rocker Arm	16	All	All
16	R017070	GM	Nut, Rocker Arm	16	All	All
17	R033011	GM	Cover, Valve Right And Left Side	2	All	All
17	R033011A	GM	Cover, Valve Right And Left Side	2	7.4 MARK V	All
20	R024013A	GM	Elbow, Vent Hose	1	All	All
21	RM0196	GM	Gasket, Cylinder Head	2	7.4 Std	All
21	RM0197	GM	Gasket, Cylinder Head	2	7.4 HO	LH
21	RM0227	GM	Gasket, Cylinder Head	2	7.4 1991-95	All
21	RM0254	GM	Gasket, Cylinder Head	2	7.4 1996-97	All
22	RP030003	GM	Spark Plugs (Set Of 8)	1	All	All
23	R034032	GM	Cap, Oil Fill	2	All	All
24	R094015	GM	Grommet, Elbow	2	All	All
NI	R035015	GM	Valve, PCV	1	All	All
NI	R035034	GM	Valve, PCV With 90 Degree Elbow For 3/8" Hose	1	7.4 TBI	All
NI	R109050	GM	Guide, Push Rod All Except "PLN"	8	7.4 Std	All
NI	R109051	GM	Guide, Push Rod "PLN"	8	7.4 HO	All
NI	R109049	GM	Guide, Roller Valve Lifter Restrictor	8	7.4 1996 On	All

THE ILLUSTRATION FOR REFERENCE NUMBERS ON THIS PAGE WILL BE FOUND ON PAGE # B6

GM 7.4 CYLINDER GROUP

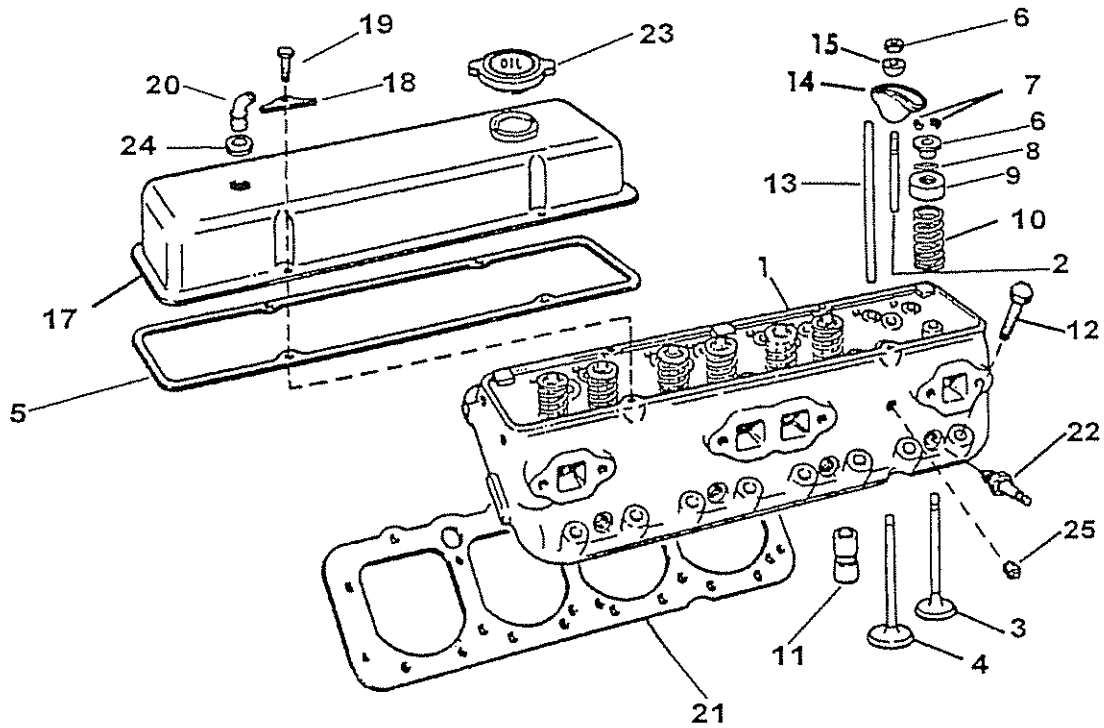


FIGURE B6

GM 5.0 AND 5.7 INTAKE MANIFOLD GROUP

REF NO.	PART NUMBER	CODE	DESCRIPTION	QTY	APP	ROT
1	R002008	GM	Manifold, Intake {All Thru 1986}	1	5.0, 5.7	All
1	R002009	GM	Manifold, Intake {5.7 HP 1987 - 91}	1	5.7 HP	All
1	R002010	GM	Manifold, Intake {5.0, 5.7 1987 - 91}	1	5.0, 5.7	All
1	R002019	GM	Manifold, Intake 1991-95 AN And AR	1	5.7	All
1	R002015	GM	Manifold, Intake {5.7 TBI} 1991-95 CD And CF	1	5.7	All
1	R002016	GM	Manifold, Intake Aluminum And Bronze {CK And MK MPEFI}	1	5.7 GEN 1 +	All
1	R002018A	GM	Manifold, Intake Alum/Bronze {CK And MK Carburetor Or TBI}	1	5.7 GEN 1 +	All
4	RM0198	GM	Gasket Set, Intake {All SB Thru 1986}	1	5.0, 5.7	All
4	RM0199	GM	Gasket Set, Intake {All SB 1987 On}	1	5.0, 5.7	All
4	RM0243	GM	Gasket Set, Intake Manifold (1991-95)	1	5.7	All
4	RM0250	GM	Gasket, Intake Manifold Right And Left Sides GEN 1 + Only	2	5.7 GEN 1 +	All
4	RT0083	GM	Sealer, Intake Manifold Ends	1	All AR	All
5	GM 14091544	U	Bolt, 3/8" - 16 x 1 1/8" Intake To Cylinder Head Attaching	AR	5.0, 5.7	All
5	RS0305	U	Bolt, 3/8" - 16 x 1 1/4" Intake To Cylinder Head Attaching	AR	5.0, 5.7	All
5	GM 9439918	U	Bolt, 3/8" - 16 x 1 3/8" Intake To Cylinder Head Attaching	AR	5.0, 5.7	All
5	RS0306	U	Bolt, 3/8" - 16 x 1 1/2" Intake To Cylinder Head Attaching	AR	5.0, 5.7	All
5	R009180	GM	Bolt, Hex Washer Head 5/16" - 18 x 1 3/4" with 1/4" pilot	8	5.7 GEN 1+	All
5A	RS2180	U	Washer, Lock Spring, 3/8"	AR	5.0, 5.7	All
6	RM0123	GM	Gasket, Distributor	1	5.0, 5.7	All
7	R127026	GM	Clamp, Distributor	1	5.0, 5.7	All
7A	RS0302	U	Bolt, HH Distributor Hold Down Clamp 3/8"-16 x 3/4"	1	All	All
8	RM0122	GM	Gasket, Fuel Pump Plate To Block	1	5.0, 5.7	All
9	R109028	GM	Plate, Fuel Pump	1	5.0, 5.7	All
9A	R109047	U	Plate, Fuel Pump Mounting Hole Cover	1	5.7 Elec. F/P	All
9B	R009097	U	Screw and Lock Washer, Fuel Pump Plate To Block	2	All	All
10	RM0015	U	Gasket, Fuel Pump To Plate	1	5.0, 5.7	All
11	R039005	GM	Push Rod, Fuel Pump	1	5.0, 5.7	All
12A	R062035	GM	Insulator, Carburetor (Below Adapter)	1	5.0, 5.7	All
12	RM0054B	U	Gasket, Carburetor (Above Adapter)	1	5.0, 5.7	All
12	RM0237	GM	Gasket, GM 2V Throttle Body Adapter To Intake Manifold	1	5.7 TBI	All
12	RM0240	GM	Gasket, TBI Base To Intake Manifold Adapter	1	5.7 TBI	All
13	R023001	GM	Adapter, Carburetor To Intake Manifold	1	5.0, 5.7	All
13	R079060	GM	Adapter, 2V TBI Throttle Body To Intake	1	5.7 TBI	All
14	RS3927	U	Bolt, Socket Head Wedge To Intake Manifold 5/16" - 18 x 1"	4	5.0, 5.7 Carb.	All
14	R009158	GM	Bolt, Tapered Socket Head TBI Adapter To Intake 5/16 - 18 x 1"	4	5.7 TBI	All
15	RS0282	U	Bolt, Carburetor To Wedge 5/16" - 18 x 1"	4	5.0, 5.7	All
15	R009159	GM	Bolt, TBI To Adapter 5/16" - 18 x 2"	4	5.7 TBI	All
18	RA052002	U	Carburetor, 4V Holley	1	5.0	All
18	RA052003	U	Carburetor, 4V Holley with PCV Access	1	5.7	All
18	RA052021	GM	Throttle Body Assembly	1	5.7 TBI	All
19	R145006A	U	Flame Arrestor, 8" Chrome	1	5.0, 5.7	All
19	R145017	U	Flame Arrestor, 3" Flanged Aluminum	1	5.0/5.7	All
19	R145018	GM	Flame Arrestor, GM 2V TBI	1	5.7 TBI	All
20	R009145	U	Bolt, Flame Arrestor With Rosette Knob 1/4" - 20 x 2 1/2"	1	5.0, 5.7 Carb.	All
20	R009160	GM	Bolt, Flame Arrestor With Rosette Knob 1/4" - 20 x 3 3/4"	1	5.7 TBI	All
23	R045008A	U	Hose, Valve Cover To Flame Arrestor	1	5.0, 5.7	All
23	R045008B	GM	Hose, PCV To Carburetor Base	1	5.0, 5.7	All
25	RA080009A	GM	Pump, Fuel Mechanical	1	5.0, 5.7 Carb.	All
25	RA080018	GM	Pump, Fuel Electric Low Pressure Feed	1	5.7 TBI	All
30	RS0305	U	Bolt, Fuel Pump To Block Attaching 3/8" - 16 x 1 1/4"	2	5.0, 5.7	All
31	RS2180	U	Washer, Lock 3/8"	2	5.0/5.7	All
32	R024017	U	Fitting, Fuel Line To Pump	1	5.0, 5.7	All
33	RA085018	GM	Line, Fuel Pump To Carburetor	1	5.0, 5.7	All
33	RA085052	GM	Line, Fuel Assembly Electric Pump To 4160 Carburetor Inlet	1	5.7 1996 On	All
33A	R024187	GM	Fitting, 7/8" - 20 x 06 JIC Male Flare RA085052 Line	1	5.7 1996 On	All
34	R090078	GM	Lift Eye, Front	1	5.0, 5.7	All
34	R042007	GM	Lift Eye, Rear	1	5.0, 5.7	All
34A	RS0305	U	Bolt, HH Lifting Eye To Manifold Attaching 3/8"-16 x 1 1/4"	8	All	All

THE ILLUSTRATION FOR REFERENCE NUMBERS ON THIS PAGE WILL BE FOUND ON FIGURE B7

GM SMALL BLOCK INTAKE

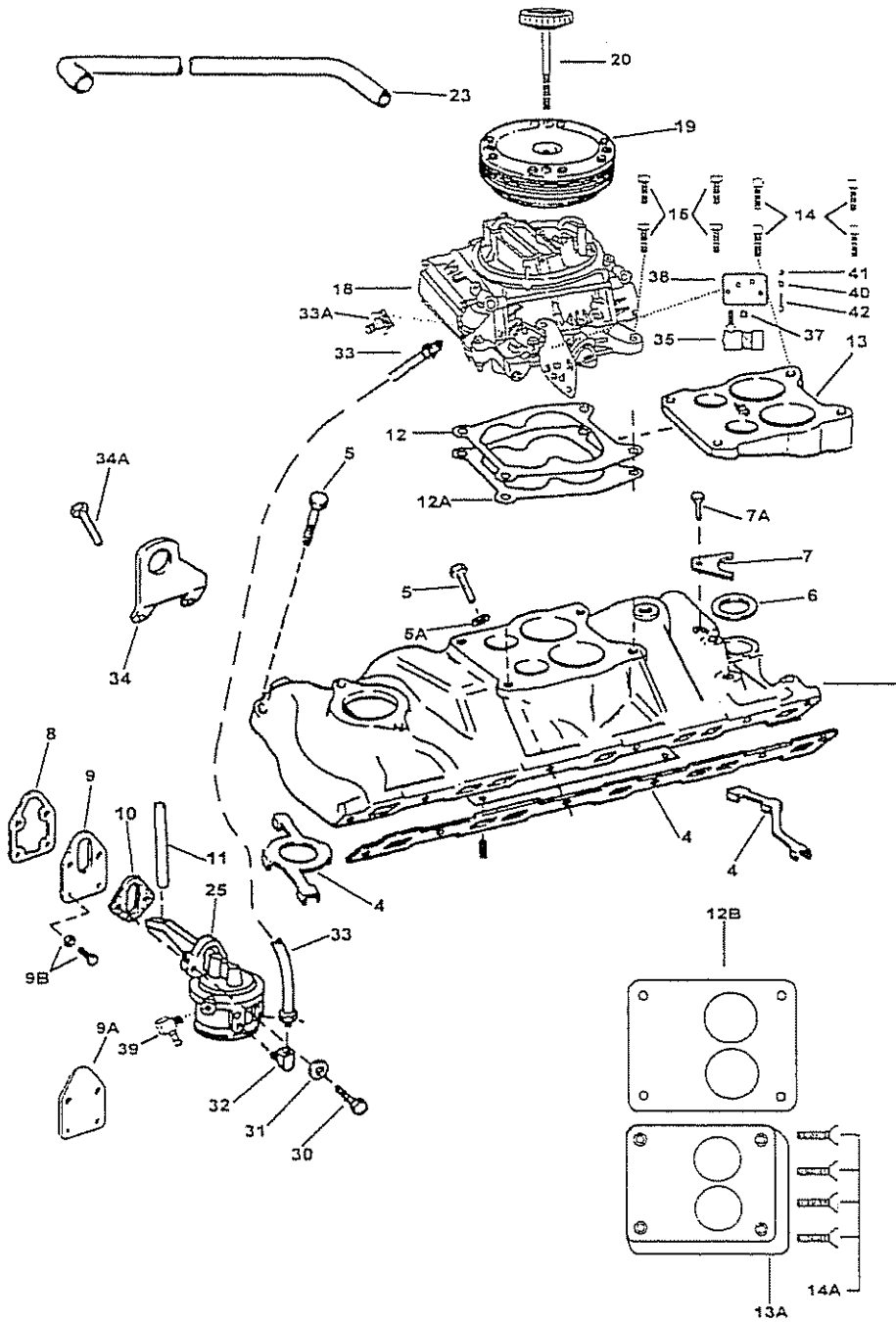


FIGURE B7

D:gminman

GM 5.0 AND 5.7 INTAKE MANIFOLD GROUP

REF NO.	PART NUMBER	CODE	DESCRIPTION	QTY	APP	ROT
NI	R090079	GM	Bracket, Throttle And Coil	1	5.0, 5.7	All
NI	R090070	U	Clamp, Throttle Cable	1	5.0, 5.7	All
35	R178003	U	Ball Joint, Throttle Cable End	1	5.0, 5.7	All
36	RS1568	U	Nut, Jam-type 1/4" - 28	1	5.0, 5.7	All
38	R090069	U	Plate, Throttle Ball Joint	1	5.0, 5.7	All
39	R024089	U	Fitting, 90 Degree Fuel Return, 1/4"NPTx 3/8" Hose Barb	1	5.0/5.7	All
40	RS2458	U	Washer, Lock #10	1	All	All
41	RS1521	U	Nut 1/4" - 20	1	All	All
42	RS5105	U	Screw, Plate Attaching 10 - 24 x 5/8"	1	All	All

GM SMALL BLOCK INTAKE

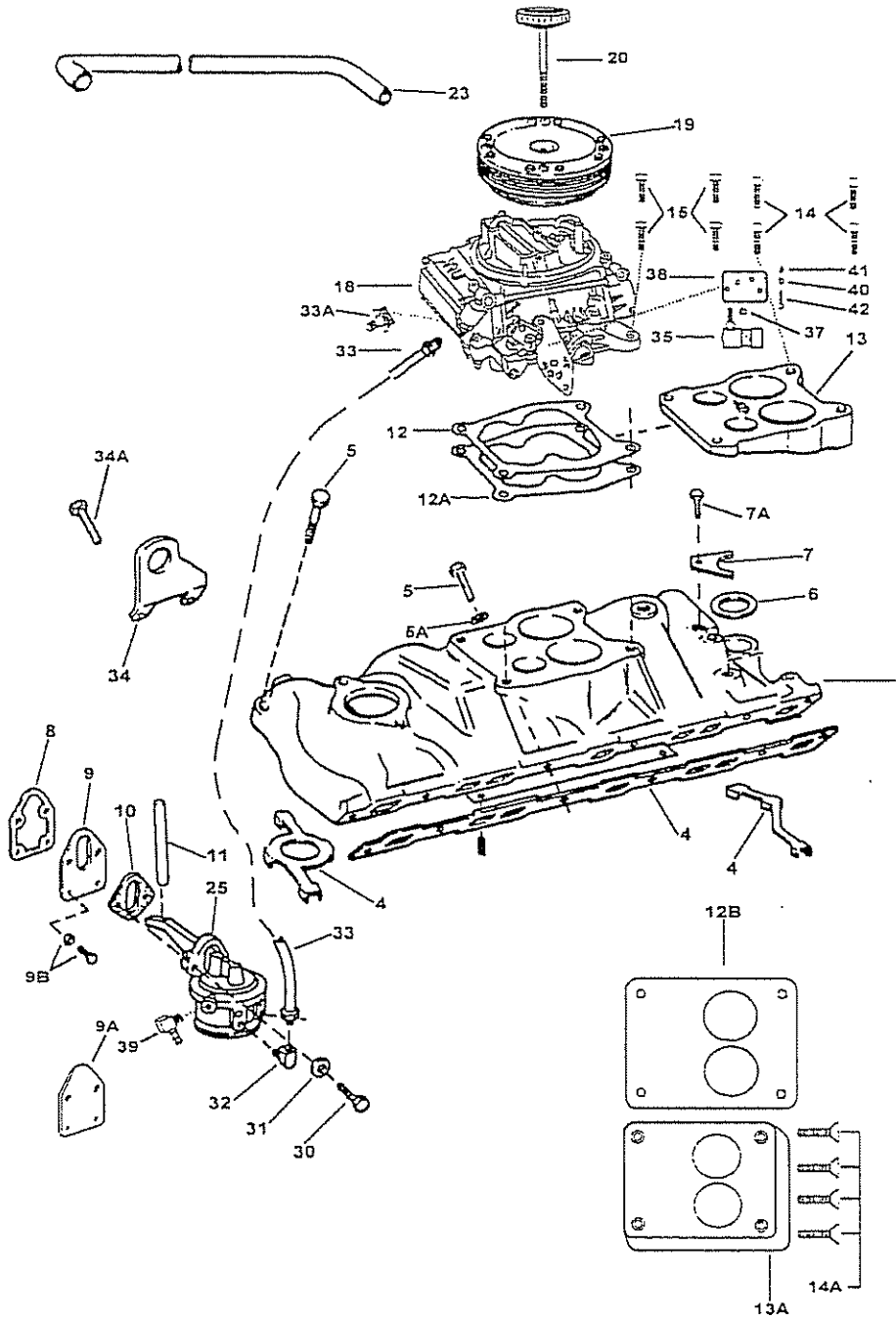


FIGURE B7

D:gminman

GM 7.4 INTAKE GROUP

REF NO.	PART NUMBER	CODE	DESCRIPTION	QTY	APP	ROT
1	R002011	GM	Manifold, Intake {1980 - 1990}	1	7.4 Std	All
1	R002011A	GM	Manifold, Intake (1991 - 1999)	1	7.4 Std	All
1	R002012	GM	Manifold, Intake	1	7.4 HO	LH
1	R002020	GM	Manifold, Intake 1997 TBI	1	1997 7.4 TBI	All
4	RM0200	GM	Gasket Set, Intake	1	7.4 Std	All
4	RM0201	GM	Gasket Set, Intake	1	7.4 HO	LH
5	GM9441560	GM	Bolt, Intake Manifold, 3/8"-16 x 1.75"	AR	7.4	All
5	GM10198997	GM	Bolt, Intake Manifold	AR	7.4	All
5	GM9441547	GM	Bolt, Intake Manifold, 3/8"-16 x 1 5/8"	AR	7.4 HO	All
5	GM9441546	GM	Bolt, Intake Manifold, 3/8" - 16 x 5 1/4" (1995-1996)	AR	7.4 HO	All
5	GM9439918	GM	Bolt, Intake Manifold, 3/8" - 16 x 1 3/8"	AR	7.4	All
5A	RS2180	GM	Washer, Lock Spring 3/8"	AR	7.4	All
6	RM0123	GM	Gasket, Distributor	1	All	All
7	R127026	GM	Clamp, Distributor	1	All	All
7A	RS0302	U	Bolt, Hex Head, Distributor Hold Down Clamp, 3/8"-16 x 3/4"	1	All	All
8	RM0122	GM	Gasket, Fuel Pump Plate To Block	1	All	All
9	R109028	GM	Plate, Fuel Pump	1	All	All
9A	R109047	GM	Plate, Fuel Pump Mounting Hole Cover	1	7.4 Elec F/P	All
9B	R009097	GM	Screw and Lock Washer, Fuel Pump Plate To Block	1	All	All
10	RM0015	GM	Gasket, Fuel Pump	1	All	All
11	R039005	GM	Push Rod, Fuel Pump	1	All	All
12	R062061	GM	Insulator, Carburetor {Below Carburetor}	1	7.4 HO	LH
12	RM0120	GM	Insulator, Carburetor {Below Carburetor}	1	7.4 HO	LH
12	RM0054	U	Gasket, Carburetor {Above Wedge}	1	7.4 Std	All
12A	R062035	GM	Insulator, Carburetor {Below Wedge}	1	7.4 Std	All
12B	RM0237	GM	Gasket, Adapter To Intake Manifold	1	7.4 TBI	All
12C	RM0240	GM	Gasket, TBI To Adapter	1	7.4 TBI	All
13	R023001A	GM	Wedge, Carburetor Leveling	1	7.4 Std	All
13A	R079060	GM	Adapter, Intake 4V Pattern To TBI 2V Pattern	1	7.4 TBI	All
14	RS3927	U	Bolt, Wedge To Intake Attaching	4	7.4 Std	All
14A	R009158	U	Screw, Socket Head Cap Tapered Seat 5/16 - 18 X 1"	4	7.4 TBI	All
15	RS0282	U	Bolt, Carburetor To Wedge Attaching	4	All	All
16	RS2458	U	Washer, Lock #10	1	All	All
17	RS1521	U	Nut 1/4" - 20	1	All	All
18	RA052007	GM	Carburetor	1	7.4 Std	All
18	RA052010	GM	Carburetor	1	7.4 HO	LH
NI	RA085024	GM	Line, Fuel Connects Front Bowl To Rear Bowl Of RA052010	1	7.4 HO	All
18A	RA052022	GM	Throttle Body Assembly	1	7.4 TBI	All
19	R145006	U	Flame Arrestor	1	All	All
19	R145018	U	Flame Arrestor	1	7.4 TBI	All
20	R031003	U	Bolt, Flame Arrestor	1	All	All
20	R009160	U	Bolt, Flame Arrestor With Rosette Knob	1	7.4 TBI	All
21	RS5105	U	Screw, Plate Attaching 10 - 24 x 5/8"	1	All	All
23	R045008A	U	Hose, Crankcase Vent To Flame Arrestor	1	All	All
23	R045008B	GM	Hose, Crankcase Vent To Carburetor Base	1	All	All
25	RA080010A	GM	Pump, Fuel Mechanical	1	All	All
25	RA080018	U	Pump, Electric Fuel Low Pressure Delivery	1	All Mark V	All
26	R090154	GM	Bracket, Electric Fuel Pump To Left Cylinder Head	1	Mark V Carburetor	All
27	R094035	U	Grommet, Low Pressure Pump Isolating	3	Mark V Carburetor	All
28	R096141	U	Washer, Flat Lower Grommet Securing	3	Mark V Carburetor	All
28A	R096142	U	Washer, Flat Upper Grommet Securing	3	Mark V Carburetor	All
28B	RS2458	U	Washer, Lock Internal Shakeproof # 10	3	Mark V Carburetor	All
29	RS1521	U	Nut, Steel Pump Mounting # 10-32	3	Mark V Carburetor	All
29A	R127061	U	Retainer, Wires To Pump Terminals	1	Mark V Carburetor	All
30	RS0305	U	Bolt, Fuel Pump Attaching	2	Mark V Carburetor	All
31	RS2180	U	Washer, Spring Lock 3/8"	2	Mark V Carburetor	All
31A	RS0325	U	Bolt, Bracket To Block Mounting 7.16"-14 x 3/4"	2	Mark V Carburetor	All
31B	RS2181	U	Washer, Spring Lock Bracket To Block Mounting 7.16"	2	Mark V Carburetor	All

THE ILLUSTRATION FOR REFERENCE NUMBERS ON THIS PAGE WILL BE FOUND ON FIGURE B8

GM 7.4 INTAKE MANIFOLD

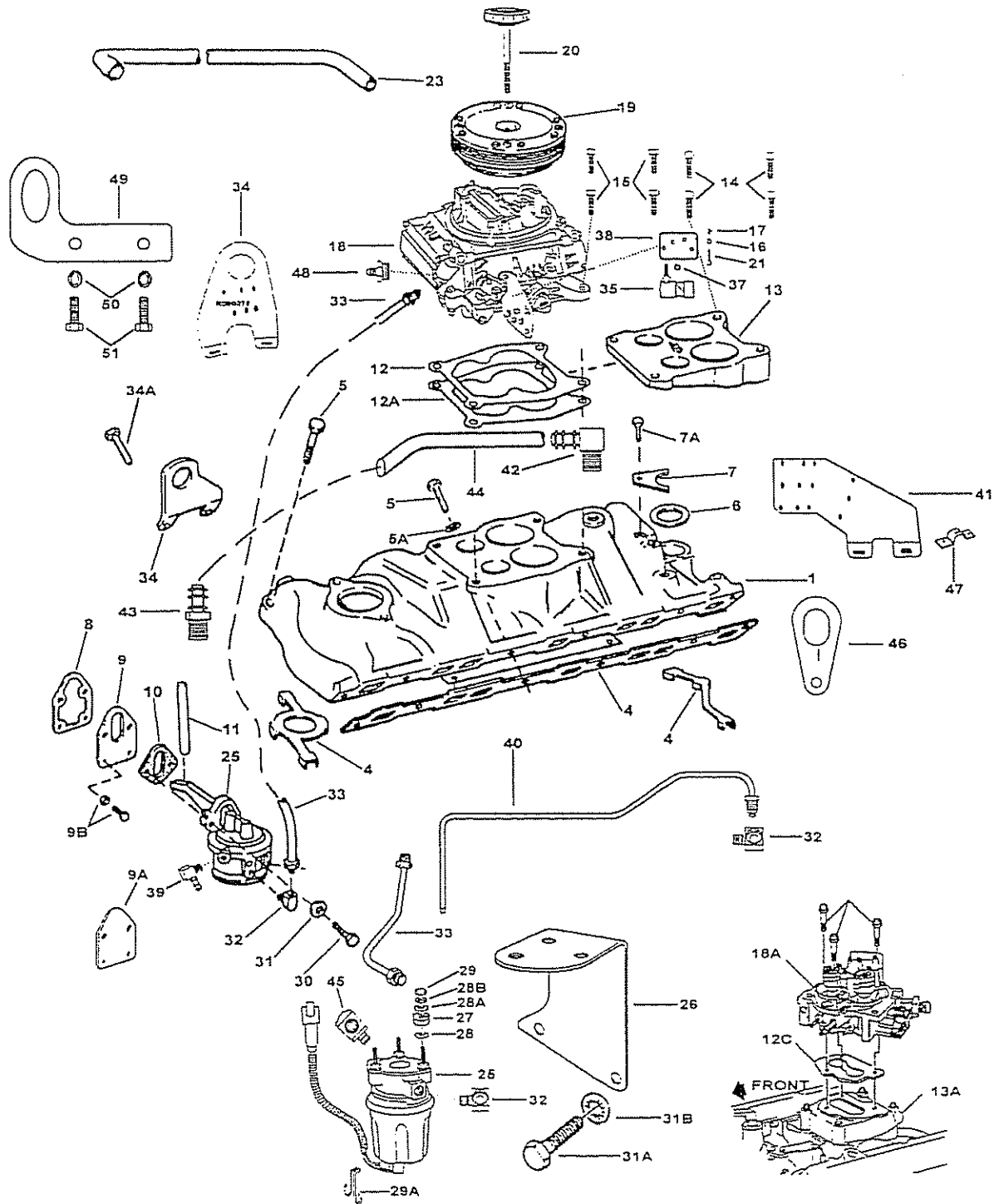


FIGURE B8

D: 454inman

GM 7.4 INTAKE GROUP

REF NO.	PART NUMBER	CODE	DESCRIPTION	QTY	APP	ROT
32	R024017	U	Fitting, 90° 3/8" Flare x 3/8" NPT. Mechanical Fuel Pump Outlet	1	All	All
32	R024017	U	Fitting, 90° 3/8" Flare x 3/8" NPT. Electric Fuel Pump Inlet	1	All	All
33	RA085020A	GM	Fuel Line For RA080010A Mechanical Fuel Pump And 4160 Holley	1	7.4 Std	All
33	RA085052	GM	Line, Fuel Assembly, Electric Pump To 4160 Carburetor Inlet	1	7.4 Std	All
33	RA085055	GM	Line, Fuel Electric Pump To RA052010 Carburetor Inlet Line	1	7.4 HO	All
34	R090078	GM	Bracket, Front Lift	1	All	All
34	R042004	GM	Bracket, Rear Lift	1	All	All
34A	RS0305	U	Bolt, Hex Head, Lifting Eye to Manifold Attaching 3/8"-16 x 1 1/4"	8	All	All
35	R178003	U	Ball Joint, Throttle Cable End	1	All	All
36	RS2178	U	Washer, Lock 1/4"	2	All	All
37	RS1568	U	Nut, Jam-type 1/4"-28	1	All	All
38	R090069	U	Plate, Ball Joint	1	All	All
39	R024089	U	Fitting, 90 Degree Fuel Return, 1/4" NPT X 3/8" Hose Barb	1	All	All
40	RA085053A	GM	Line, Steel Right Front Inlet From Fuel Tank Electric Pump	1	Mark V Carburetor	All
41	R090079	GM	Bracket, Throttle And Coil	1	All	All
42	R024126	U	Elbow, 90° 1/2" NPT x 5/8" Barbed At Rear Of TBI In Intake	1	All TBI	All
43	R024128	U	Fitting, Straight 1/2" NPT x 5/8" Barbed In Water Pump	1	All TBI	All
44	R045008	U	Hose, Bulk Water 5/8" ID	AR	All TBI	All
45	R024113	U	Fitting, 45° 3/8" Flare x 3/8" NPT {Electric Fuel Pump Only}	1	Mark V Carburetor	All
46	R042008	GM	Bracket, Front And Rear Lift	2	Apex	All
47	R090070	U	Clamp, Throttle Cable	1	All	All
48	R024187	GM	Fitting, 7/8" - 20 x 06 JIC Male Flare RA085052 Line	1	7.4 1996 On	All

THE ILLUSTRATION FOR REFERENCE NUMBERS ON THIS PAGE WILL BE FOUND ON FIGURE B8

GM 7.4 INTAKE MANIFOLD

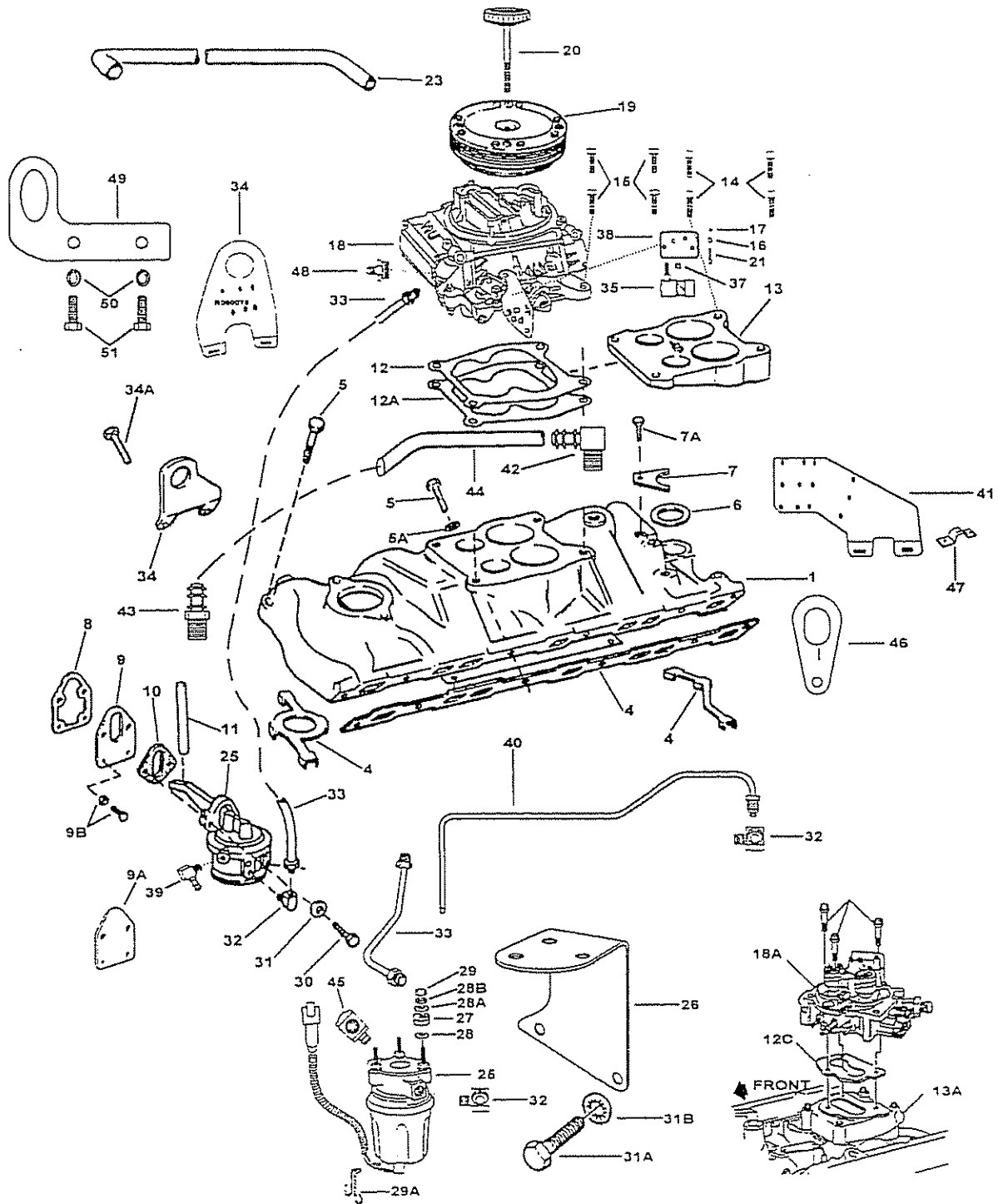


FIGURE B8

D:464inman

FORD CRANKSHAFT AND MAIN BEARING GROUP

REF NO.	PART NUMBER	CODE	DESCRIPTION	QTY	APP	ROT
1	R006001	F	Crankshaft	1	5.0, 1971 Thru 80	LH
1	R006007	F	Crankshaft	1	5.0, 1981 Thru 82	LH
1	R006009	F	Crankshaft	1	5.0, 1983 On	LH
1	R006002	F	Crankshaft	1	5.0, 1971 Thru 83	RH
1	R006008	F	Crankshaft	1	5.0, 1983 Thru 86	RH
1	R006010	F	Crankshaft	1	5.0, 1987 On	RH
1	R006003	F	Crankshaft	1	5.8, 1971 Thru 82	LH
1	R006013	F	Crankshaft	1	5.8, 1983 On	LH
1	R006004	F	Crankshaft	1	5.8, 1971 Thru 78	RH
1	R006015	F	Crankshaft	1	5.8, 1978 Thru 82	RH
1	R006014	F	Crankshaft	1	5.8, 1983 On	RH
2	R164004	F	Key, Damper	1	5.0	All
2	R164012	F	Key, Damper	1	5.8	All
3	RK007008A	F	Bearing, Main Set Standard	1	5.0	All
3	RK007012A	F	Bearing, Main Set Standard	1	5.8	All
4	R009035	F	Bolt, Main Bearing Cap	9	5.0	All
4	R009031	F	Bolt, Main Bearing Cap	9	5.8	All
5	R095008	F	Stud, Oil Pickup Tube Support	1	5.0	All
5	R095004	F	Stud, Oil Pickup Tube Support	1	5.8	All
6	R054007	F	Sprocket, Crankshaft {Coyle}	1	All Before 1988	All
6	R054035	F	Sprocket, Crankshaft {Roller}	1	All, 1988 On	All
6	R054037	F	Sprocket, Crankshaft {Link Mid Year Production Change}	1	5.0 1994 On	All
7	R047036	F	Slinger, Crankshaft Oil	1	All, 1971 Thru 78	All
8	R055001	F	Chain, Timing	1	All 1971 Thru 1987	All
8	R055014	F	Chain, Timing Double Roller	1	All 1988 On	All
8	R055015	F	Chain, Timing Link Style {Mid Year Production Change}	1	5.0 1994 On	All
9	R064001	F	Damper, Harmonic {Casting # D2TE 6316 C1A}	1	5.0, 1971 Thru 80	LH
9	R064007	F	Damper, Harmonic {Casting # E1JE 2-6316 AA}	1	5.0, 1981 On	LH
9	R064002	F	Damper, Harmonic NLA Use R064001 See Note * Below	1	5.0, 1971 Thru 80	RH
9	R064008	F	Damper, Harmonic	1	5.0, 1981 On	RH
9	R064013	F	Damper, Harmonic {Accepts 4 Bolt Pulley}	1	5.0, 1994 On	LH
9	R064003	F	Damper, Harmonic	1	5.8 To 1993	LH
9	R064004	F	Damper, Harmonic	1	5.8 To 1993	RH
9	R064014	F	Damper, Harmonic {Accepts 4 Bolt Pulley}	1	5.8, 1994 On	LH
10	R065002	F	Pulley, Crank {3 Bolt 2 Grooves}	1	All	All
10	R065035	F	Pulley, Crank {4 Bolt 2 Grooves}	1	All	All
10	R065036	F	Pulley, Crank {4 Bolt 3 Grooves}	1	All	All
11	RS2180	U	Washer, Lock Pulley Bolt 3/8"	3	All	All
12	RS0302	U	Bolt, Pulley 3/8" 16 x 3/4"	3	All	All
13	R096037	F	Washer, Damper Bolt	1	All	All
14	R009033	F	Bolt, Damper To Crankshaft	1	All	All
15	R047045	F	Seal, Rear Main Bearing Oil {2 Pieces in Package Yellow**}	1	5.0, 1971 Thru 82	LH
15	R047126	F	Seal, Rear Main Bearing Oil {1 Piece Brown**}	1	5.0, 1983 On	LH
15	R047040	F	Seal, Rear Main Bearing Oil {2 Pieces in Package Red**}	1	5.0, 1971 Thru 82	RH
15	R047127	F	Seal, Rear Main Bearing Oil {1 Piece Orange**}	1	5.0, 1983 On	RH
15	R047042	F	Seal, Rear Main Bearing Oil {2 Pieces in Package Yellow**}	1	5.8, 1971 Thru 82	LH
15	R047042A	F	Seal, Rear Main Bearing Oil {1 Piece Brown**}	1	5.8, 1983 On	LH
15	R047041	F	Seal, Rear Main Bearing Oil {2 Pieces in Package Red**}	1	5.8, 1971 Thru 82	RH
15	R047041A	F	Seal, Rear Main Bearing Oil {1 Piece Orange**}	1	5.8, 1983 On	RH

Note * P/N R064001 Is Marked In The Opposite Direction And Timing Marks Indicating 35 To 0 Degrees Need To Be Covered Or Removed To Avoid Confusion When Timing The Engine.

Note ** Colors May Vary Or Be Off True Color Listed.

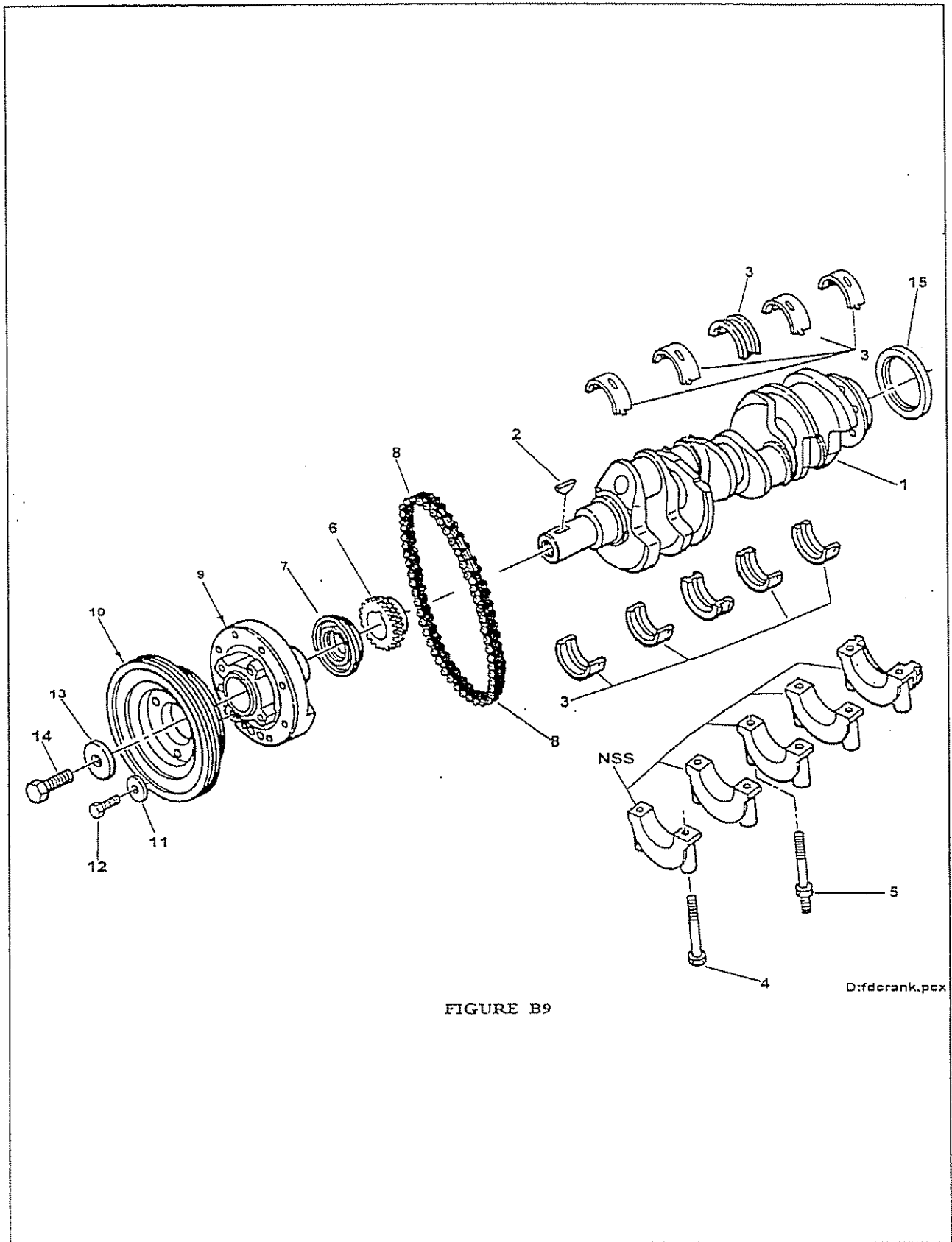


FIGURE B9

FORD CAMSHAFT, PISTON, CONNECTING ROD AND FLYWHEEL GROUPS

PART NO	NUMBER	CODE	DESCRIPTION	QTY	APP	ROT
---------	--------	------	-------------	-----	-----	-----

PISTON AND CONNECTING ROD GROUP

1	RA013001	F	Piston, Standard With Pin	8	5.0	All
1	RA013002	F	Piston, Standard With Pin	8	5.8	All
1	RA013012	F	Piston, Standard With Pin {Uses R015001A .077" Ring Set}	8	5.8 HO 1991-97	All
1	RA013012A	F	Piston, .020" Over Size With Pin {Uses R015001B .077" Ring Set}	8	5.8 HO 1991-97	All
1	RA013014	F	Piston, Standard With Pin {Uses R015011 Thin .059" Ring Set}	8	5.8 HO 1993-99	All
2	R014001	F	Pin, Piston Standard	8	All	All
3	R015001A	F	Ring, Set .077" Standard (Services 8 Cylinder)	1	AR	All
3	R015001B	F	Ring, Set .077" .020" Over Size (Services 8 Cylinder)	1	AR	All
3	R015011	F	Ring, Set Standard (Thin .059" Ring Set Services 2 Cylinder)	4	AR	All
5	RA011001	F	Rod, Connecting Assembly, With Bolts	8	5.0	All
5	RA011002	F	Rod, Connecting Assembly, With Bolts	8	5.8	All
6	R007001A	F	Bearing, Rod Standard (Upper And Lower)	3	5.0	All
6	R007002A	F	Bearing, Rod Standard (Upper And Lower)	3	5.8	All
7	R017022	F	Nut, Connecting Rod Bolt	16	5.0	All
7	R017026	F	Nut, Connecting Rod Bolt	16	5.8	All
8	R009029	F	Bolt, Connecting Rod Cap	16	5.0	All
8	R009030	F	Bolt, Connecting Rod Cap	16	5.8	All

FLYWHEEL GROUP

9	R019001	F	Plate, Starter Locating	1	All	All
10	RA138001	F	Flywheel, With Ring Gear {Casting # C6ZE 6380 A}	1	5.0, 1971 Thru 80	All
10	RA138003	F	Flywheel, With Ring Gear {Casting # E1ZR 6380 A2A}	1	5.0, 1981 On	All
10	RA138001	F	Flywheel, With Ring Gear	1	5.8	All
10A	R139006	F	Gear, Ring Only, 157 Teeth	1	All	All
11	R009034	F	Bolt, Flywheel To Crank	6	All	All
12	R142001	F	Housing, Flywheel	1	All	All
13	R140001	F	Plate, Drive Damper Warner Transmission	1	All	All
13	R140016	U	Plate, Drive Damper PCM Transmission	1	All	All
14	R009001	F	Bolt, Drive Damper To Flywheel	6	All	All
15	RS0328	U	Bolt, Flywheel Housing To Block 7/16 18 x 1 1/4"	5	All	All
15	RS0329	U	Bolt, Flywheel Housing To Block 7/16 18 x 1 1/2" For Ground Cable	1	All	All
15	R095036	U	Bolt, Flywheel Housing To Block 7/16 18 With Grounding Stud	1	All	All
16	RS2181	U	Washer, Lock Housing To Block 7/16"	6	All	All
17	RS2179	U	Washer, Lock Drive Plate Bolt 5/16"	6	All	All
18	R022005	F	Pin, Dowel Flywheel Housing To Block	2	All	All

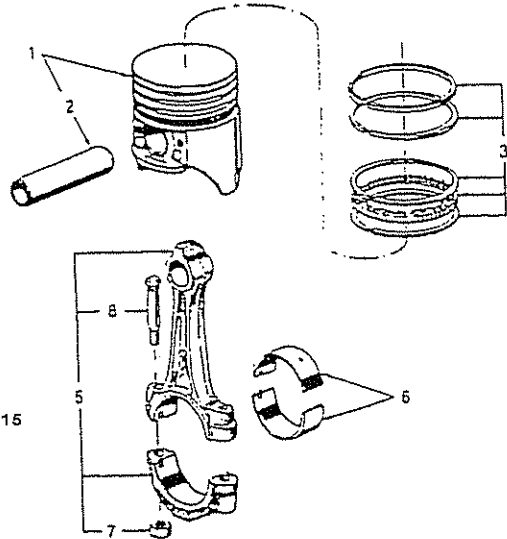
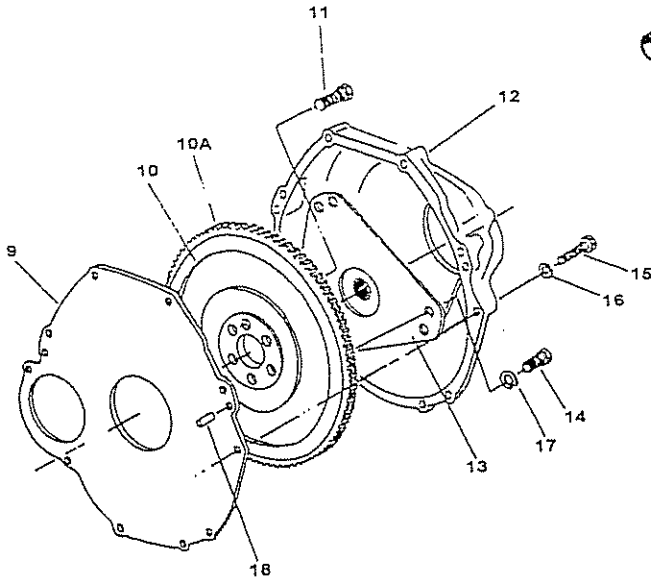
CAMSHAFT GROUP

19	RA050007	F	Camshaft	1	All Thru 1986	LH
19	RA050008	F	Camshaft	1	All	RH
19	RA050017	F	Camshaft	1	All 1987 On	LH
19	RA050019	F	Camshaft	1	5.8 HO	LH
19	RA050020	F	Camshaft	1	5.8 HO	RH
20	R022011	F	Pin, Camshaft Dowel	1	All	All
21	R069009A	F	Plug, Camshaft Rear	1	All	All
22	RK051016	F	Bearing, Camshaft Set, Standard	1	All	All
23	R109007A	F	Plate, Thrust Standard	1	All	All
23	R109007B	F	Plate, Thrust .002" Oversize	AR	All	All
24	R009032	F	Screw, Thrust Plate Retaining	2	All	All
25	R054013	F	Sprocket, Camshaft Drive {Coyle}	1	All Before 1988	All
25	R054036	F	Sprocket, Camshaft Drive {Roller}	1	All 1988 On	All
25	R054038	F	Sprocket, Camshaft Drive {Link Mid Year Production Change}	1	5.0 1994 On	All
26	R055001	F	Chain, Timing {Coyle}	1	All Before 1988	All
26	R055014	F	Chain, Timing {Double Roller}	1	All 1988 On	All
26	R055015	F	Chain, Timing Link Style {Mid Year Production Change}	1	5.0 1994 On	All
27	R161011	F	Eccentric, Mechanical Fuel Pump (Outer)	1	All	All
27	R161012	F	Eccentric, Mechanical Fuel Pump (Inner)	1	All	All
28	R096033	F	Washer, Mechanical Fuel Pump Eccentric	1	All	All
29	RS2180	F	Washer, Lock Camshaft Bolt 3/8" Spring Lock	1	All	All
30	RS0306	F	Bolt, Camshaft 3/8" 16 x 1 1/2"	1	All	All

THE ILLUSTRATION FOR REFERENCE NUMBERS ON THIS PAGE WILL BE FOUND ON FIGURE B10

FORD PISTON & CONNECTING ROD

FORD FLYWHEEL GROUP



FORD CAMSHAFT & BEARINGS

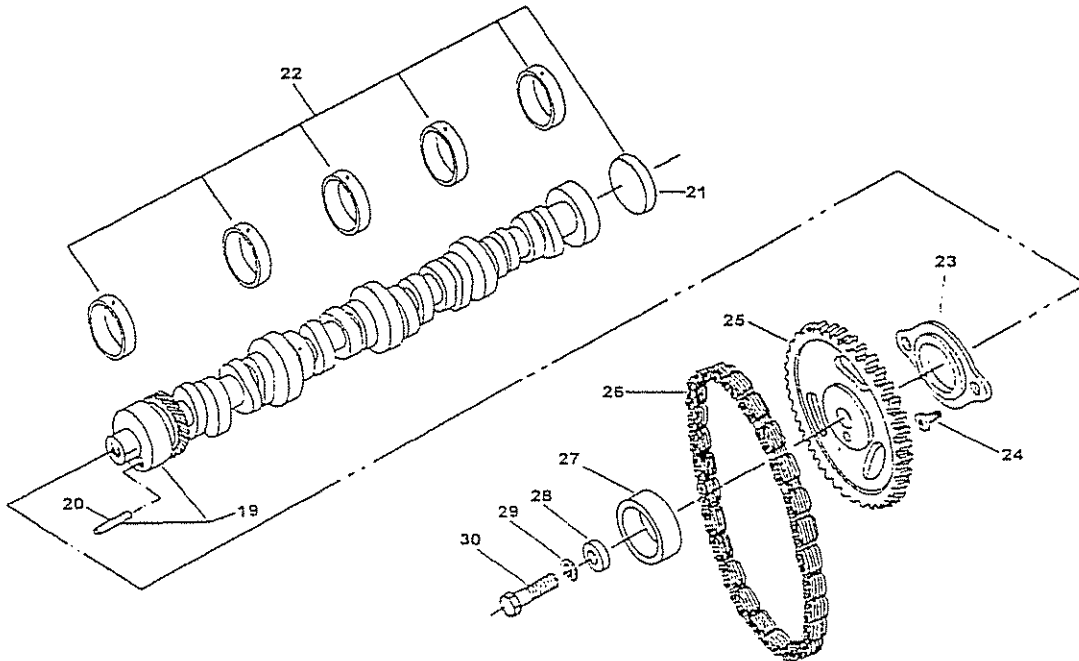


FIGURE B10

D:\fdcam.pcx

FORD OIL PAN AND PUMP GROUP

REF NO.	PART NUMBER	CODE	DESCRIPTION	QTY	APP	ROT
1	RA070002	F	Pump, Oil Assembly	1	5.0	All
1	RA070003	F	Pump, Oil Assembly	1	5.8	All
2	RM0037	F	Gasket, Oil Pump To Block	1	5.0	All
2	RM0038	F	Gasket, Oil Pump To Block	1	5.8	All
3	RM0017	F	Gasket, Oil Pickup Tube	1	All	All
4	R058014	F	Shaft, Intermediate Pump Drive	1	5.0	All
4	R058013	F	Shaft, Intermediate Pump Drive	1	5.8	All
5	R074005	F	Tube, Oil Pickup And Screen (Double Sump)	1	5.0, 1971 Thru 82	All
5	R074005A	F	Tube, Oil Pickup And Screen (Center Sump)	1	5.0, 1983 On	All
5	R074001	F	Tube, Oil Pickup And Screen	1	5.8, 1971 Thru 74	All
5	R074018	F	Tube, Oil Pickup And Screen	1	5.8, 1975 On	All
5	R074029	F	Tube, Oil Pickup And Screen {Use With R005020 Pan}	1	* See Note	All
6	RS0281	F	Bolt, Pickup Tube To Pump 5/16" 18 x 7/8"	2	All	All
7	RS2179	F	Washer, Lock Pickup Tube Bolt 5/16"	2	All	All
8	RS0305	F	Bolt, Pump To Block 3/8" 16 x 1 1/4"	2	All	All
9	RS2180	F	Washer, Lock Pump To Block Bolt 3/8"	2	All	All
10	RM0025	F	Kit, Oil Pan Gasket (4 Piece)	1	5.0, 1971 thru 86	All
10	RM0016	F	Kit, Oil Pan Gasket (4 Piece)	1	5.8, 1971 thru 86	All
10	RM0181	F	Gasket, Oil Pan {One Piece}	1	5.0, 1987 On	All
10	RM0182	F	Gasket, Oil Pan {One Piece}	1	5.8, 1987 On	All
11	RK005002A	F	Kit, Oil Pan {With Dipstick And Tube}	1	5.0, 1971 Thru 84	All
11	R005002A	F	Pan, Oil (Center Sump)	1	5.0, 1985 On	All
11	R005004	F	Pan, Oil (With 1/2" x 20 Plug)	1	5.8, 1971 Thru 85	All
11	R005004A	F	Pan, Oil (With Metric M14 x 1.5 Plug)	1	5.8, 1986 On	All
11	R005018	F	Pan, Oil {Same As R005004A With Windage Tray}	1	5.8, 1991 HO	LH
11	R005019	F	Pan, Oil {Same As R005004A With Windage Tray}	1	5.8, 1991 HO	RH
11	R005020	F	Pan, Oil (Deep Pan With Metric M14 x 1.5 Plug)	1	* See Note	All
12	RS2179	F	Washer, Lock Pan To Block Bolt 5/16"	4	All	All
13	RS0281	F	Bolt, Pan To Block 5/16" 18 x 7/8"	4	All To 1987	All
13	RS0283	F	Bolt, Pan To Block 5/16" 18 x 1 1/4"	4	All 1988 On	All
14	R069012	F	Plug, Oil Pan 1/2" x 20	1	5.0, 5.8, To 1985	All
NI	RK024056A	U	Kit, Oil Drain {1/2" x 20 Plug}	1	5.0, 5.8, To 1985	All
14	R069012A	F	Plug, Oil Pan Metric M14 x 1.5	1	5.8, 1986 On	All
14A	R009170	F	Plug, Space Saving 1/4" Female Hex Socket Metric M14 x 1.5	1	5.8 1997 AR	All
NI	RK024056C	F	Kit, Oil Drain {Metric M14 x 1.5 Plug}	1	5.8, 1986 On	All
14B	R024193	F	Fitting, Oil Drain Position Selectable	1	1998 On	All
14C	RK024193	F	Kit, Oil Drain Position Selectable	1	All 14 MM	All
NI	R024195	F	Fitting, Hose Push Lock For R024193	1	1998 On	All
15	RM0040	F	Washer, English For R069012 Plug	1	5.0, 5.8, To 1985	All
15	RM0150	F	Washer, Nylon Metric For R069012A & R009170 Plug	1	5.8, 1986 On	All
15A	RM0246	F	Washer, Metal Clad Rubber Metric For R069012A & R009170 Plug	1	5.8, 1986 On	All
15B	RM0245	F	Washer, Metal Clad Rubber Metric For R024193 Fitting	1	1998 On	All
16	RS0252	F	Bolt, Pan To Block 1/4" 20 x 5/8"	18	All To 1987	All
16	RS0256	F	Bolt, Pan To Block 1/4" 20 x 1"	18	All 1988 On	All
17	RS2178	F	Washer, Lock Pan To Block Bolt 1/4"	18	All	All
18	R041034	F	Tube, Dipstick (Riser Mount)	1	5.0, 1971 Thru 79	All
19	R041008	F	Dipstick, (B) For R041034 Tube	1	5.0, 1971 Thru 79	All
18	R041034A	F	Tube, Dipstick (Front Mount)	1	5.0, 1980 Thru 84	All
19	R041039	F	Dipstick, (X) For R041034A Tube	1	5.0, 1980 Thru 84	All
18	R041046	F	Tube, Dipstick (Left Rear Block Mount)	1	5.0, 1985 On	All
19	R041047	F	Dipstick, For R041046 Tube	1	5.0, 1985 On	All
18	R041031	F	Tube, Dipstick (Left Side Near Front Mount)	1	5.8	All
19	R041032	F	Dipstick, (D) For R041031 Tube	1	5.8, 1971 Thru 85	All
19	R041032A	F	Dipstick, (D) For R041031 Tube	1	5.8, 1986 On	All
19	R041033A	F	Dipstick, (H) For Level Mount	1	5.8, 1971 Thru 85	All
19	R041033A	F	Dipstick, (H) For Inboard Use	1	5.8, 1986 On	All
18	R041062	F	Tube, Dipstick (Left Rear Block Mount R005020 Pan)	1	* See Note	All
18A	R041031A	F	Tube, Dipstick (Left Side Mount Pump Out Style No Oil Drain Kit)	1	5.8, 1997	All
18B	R041031B	F	Tube, Dipstick (Left Side Above Valve Cover Entry W/ Drain Kit)	1	5.8, 1998 On	All
19	R041063	F	Dipstick, For R041062 A or B Tube For Level Mount Black Handle	1	* See Note	All
19	R041064	F	Dipstick, For R041062 A Or B Tube For Inboard Yellow Handle	1	* See Note	All

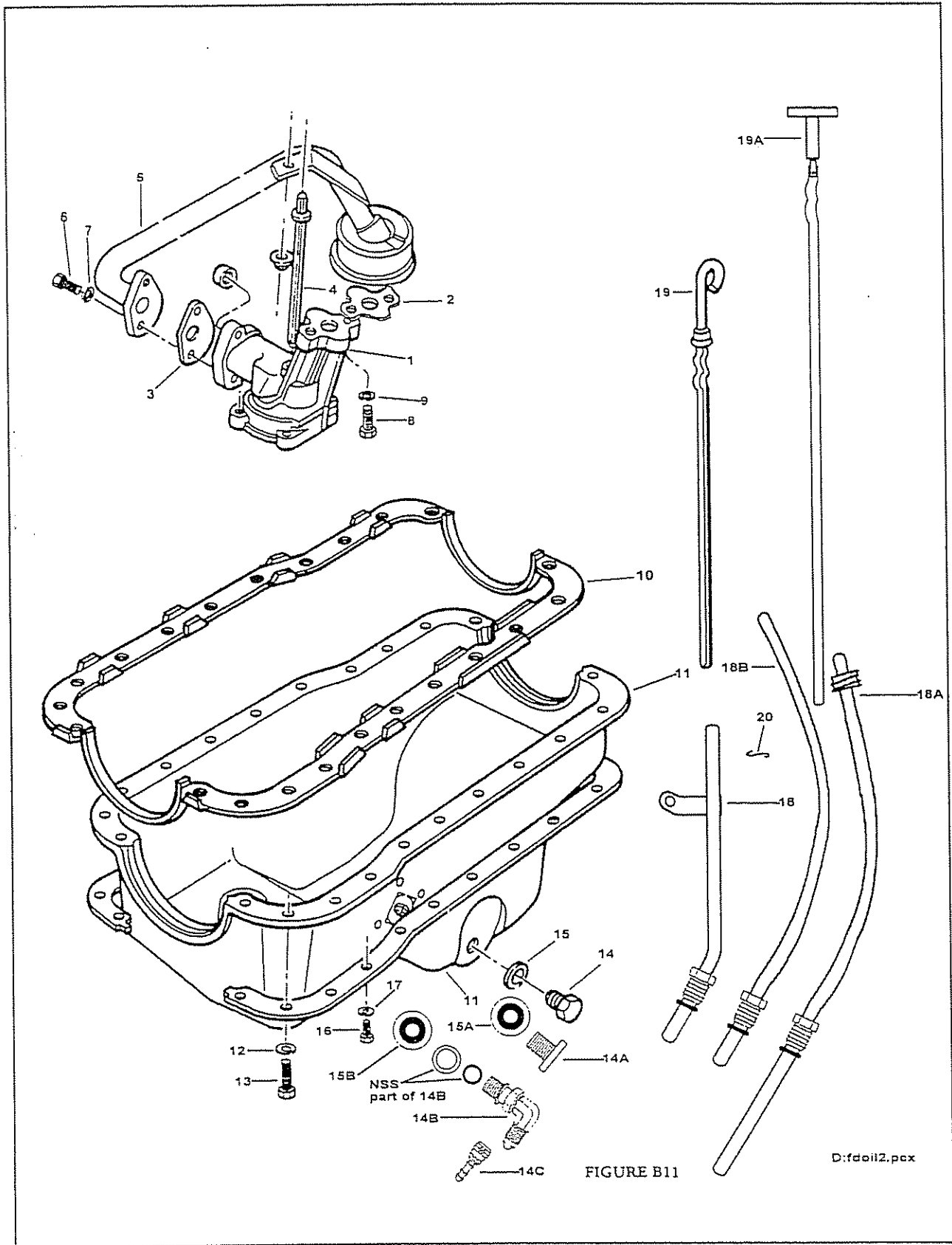


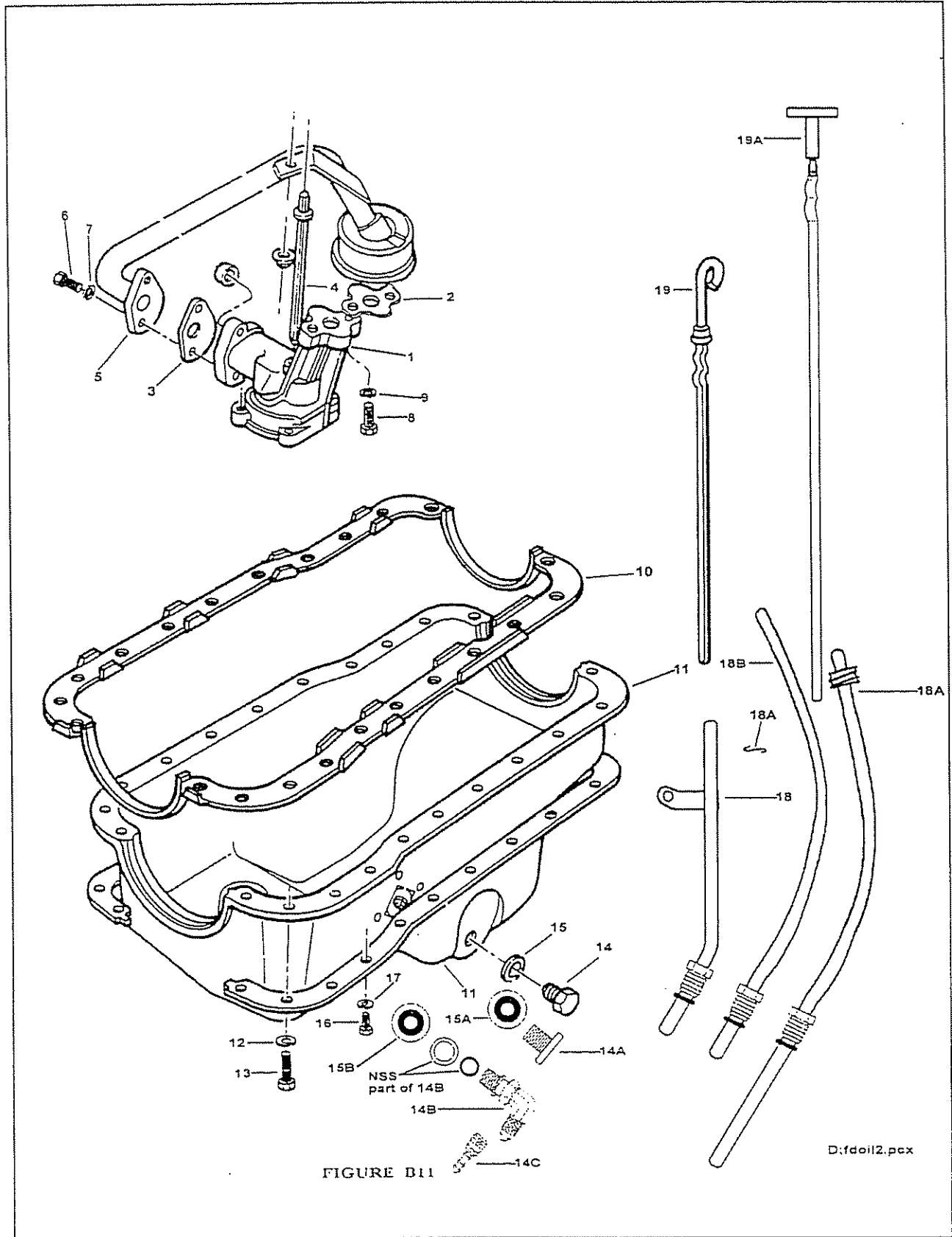
FIGURE B11

D:\fdoil2.pcx

FORD OIL PAN AND PUMP GROUP

REF NO.	PART NUMBER	CODE	DESCRIPTION	QTY	APP	ROT
19A	R041064A	F	Dipstick, For R041031A&B Tube for Level Mount Black Handle	1	5.8, 1997 On	All
19A	R041063A	F	Dipstick, For R041031A&B Tube For Inboard Use Yellow Handle	1	5.8, 1997 On	All
20	R127029	F	Retainer, Dipstick Tube To Valve Cover Bolt (R041031 A Or B)	1	5.S 1997 On	All

* These Parts Were Used On 5.8 Engines Between Serial Numbers 371319 And 371783



GM 5.0 AND 5.7 OIL PAN AND PUMP GROUP

REF NO.	PART NUMBER	CODE	DESCRIPTION	QTY	APP	ROT
1	RA070009	GM	Pump, Oil With Screen {1980 Thru 1986}	1	5.0, 5.7	All
1	RA070010	GM	Pump, Oil With Screen {1987 On}	1	5.0, 5.7	All
2	RM0130	GM	Gasket Set, Oil Pan Four Piece {Up To 1979}	1	5.0, 5.7	All
2	RM0131	GM	Gasket Set, Oil Pan Four Piece {1980 Thru 1985}	1	5.0, 5.7	All
2	RM0202	GM	Gasket Set, Oil Pan One Piece {1986 Thru 1992}	1	5.0, 5.7	All
2	RM0249	GM	Gasket, Oil Pan, One Piece 1993 On	1	All 5.7	All
3	GM12557231	GM	Deflector, Crankshaft Oil	1	5.0/5.7	All
4	RS1028	U	Nut, HH Deflector Retaining, 3/8" - 16	1	5.0/5.7	All
5	GM10046007	GM	Bolt, HH, Oil Pump to Deflector Retaining, 7/16" - 14 x 2 3/4"	1	5.0/5.8	All
6	R058054	GM	Shaft, Oil Pump	1	5.0, 5.7	All
7	R005009	GM	Pan, Engine Oil {Up To 1979}	1	5.0, 5.7	All
7	R005010	GM	Pan, Engine Oil {1980 Thru 1985}	1	5.0, 5.7	All
7	R005011	GM	Pan, Engine Oil {1986 Thru 1997 Except MK}	1	5.0, 5.7	All
7	R005023	GM	Pan, Engine Oil {1997 On For MK Engines}	1	5.0, 5.7	All
8	GM14088501	GM	Reinforcement, Oil Pan LH	1	5.0/5.7	All
8	GM14088502	GM	Reinforcement, Oil Pan RH	1	5.0/5.7	All
9	RS0252	U	Bolt, HH Oil Pan Retaining, 1/4"-20 x 5/8"	AR	5.0/5.7	All
10	RM0040	GM	Gasket, Oil Drain Plug 1/2" ID	1	5.0, 5.7	All
10	RM0245	GM	Gasket, 12 MM Metal Clad Rubber Oil Drain	1	5.0, 5.7	All
10	RM0239	GM	Gasket, Oil Drain Plug (12 MM (.472") ID Nylon)	1	5.0, 5.7	All
11	R069062	GM	Plug, Oil Drain	1	5.0, 5.7	All
NI	R024179	GM	Fitting, Special Oil Drain "T" M12 X 1.75 Male x 1/4" x 1/4" Female	1	5.0, 5.7	All
NI	RK024179	GM	Kit, Oil Drain	1	5.0, 5.7	All
NI	R024066	U	Cap, Oil Drain Hose 1/4" NPT Female	1	All	All
NI	R045049	U	Hose, 3/8" ID Oil Drain (Bulk P/N Cut To Length)	A/R	All	All
12	R077002	GM	Filter, Engine Oil	1	5.0, 5.7	All
13	R041035A	GM	Tube, Dipstick Lower	1	5.0, 5.7	All
13	R041037A	GM	Tube, Dipstick Upper	1	5.0, 5.7	All
14	R041036	GM	Dipstick {Up To 1979}	1	5.0, 5.7	All
14	R041043	GM	Dipstick {1980 On}	1	5.0, 5.7	All
15	RA057018	GM	Pump, Water Circulation {Except Composition Timing Cover}	1	5.0, 5.7	All
15	RA057027	GM	Pump, Water Circulation GEN 1E With Composition Timing Cover	1	5.7 GEN 1E	All
16	RM0203	GM	Gasket, Water Pump To Block	2	5.0, 5.7	All
17	R031010	GM	Stud, Water Pump Lower 3/8"- NC x 4 1/2"	1	5.0, 5.7	All
18	RS0307	U	Bolt, HH, Water Pump Attaching 3/8"-16 x 1 3/4"	1	5.0/5.7	All
18	RS0311	U	Bolt, HH, Water Pump Attaching, 3/8" - 16 x 2 3/4"	2	5.0/5.7	All
19	R127036	GM	Retainer, Tube to Block	1	5.0, 5.7	All
20	RS0251	GM	Bolt, Retainer To Block Attaching	1	5.0, 5.7	All
21	RS2178	GM	Washer, Retainer Bolt To Block Attaching	1	5.0, 5.7	All

GM 5.7 OIL PAN

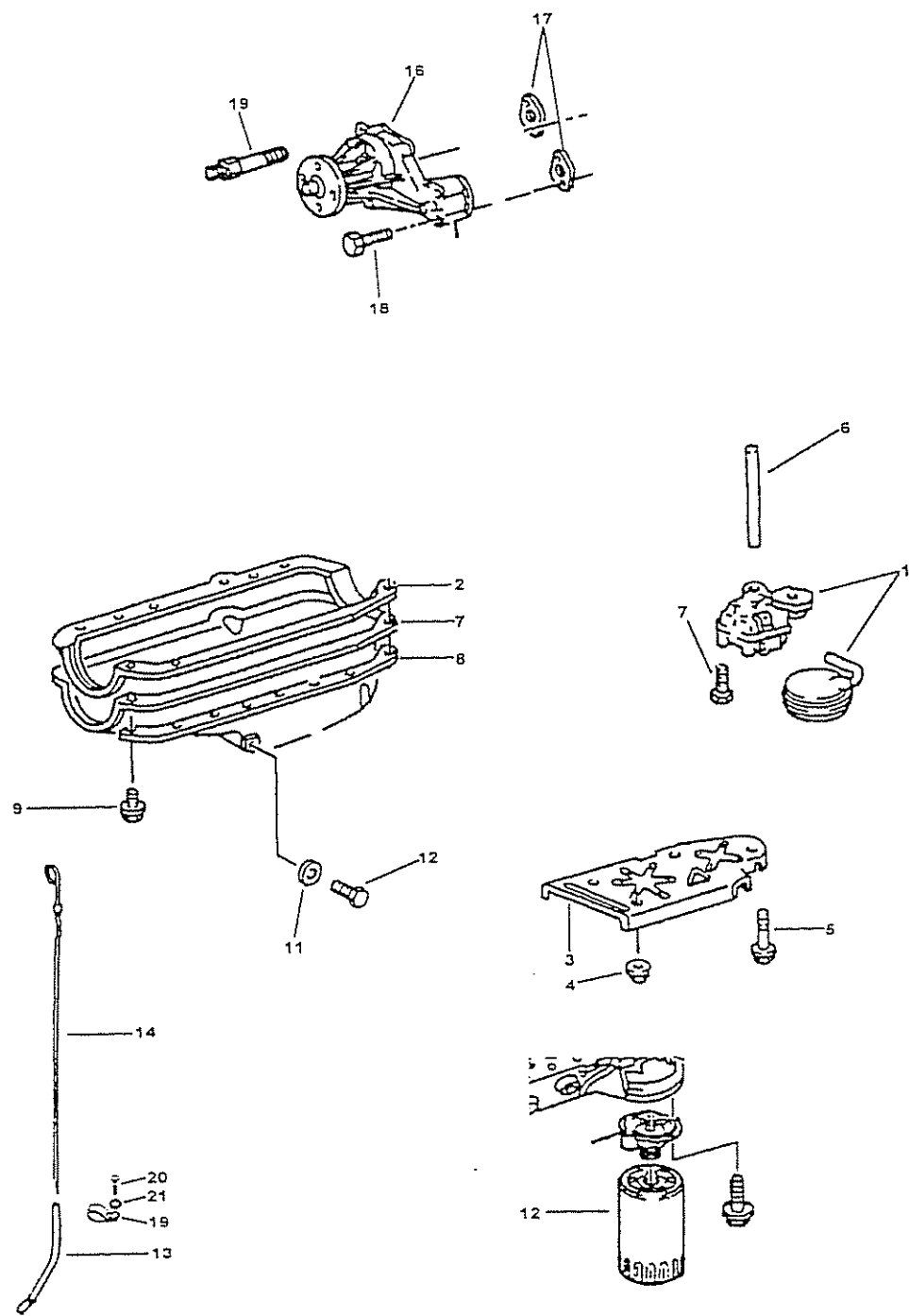


FIGURE B12

D:pan-68

GM 7.4 OIL PAN & PUMP GROUP

REF NO.	PART NUMBER	CODE	DESCRIPTION	QTY	APP	ROT
1	RA070011	GM	Oil Pump And Screen	1	7.4 Std	All
1	RA070012	GM	Oil Pump And Screen	1	7.4 HO	LH
1	RA070016	GM	Oil Pump And Screen	1	Mark V 7.4 1991	All
2	RM0132	GM	Gasket Set, Oil Pan	1	All	All
2	RM0230	GM	Gasket, Oil Pan (MARK V Engine One Piece)	1	All	All
3	GM14097040	GM	Deflector, Crankshaft Oil	1	All	All
4	RS1028	GM	Nut, HH Deflector Retaining, 3/8"-16	5	All	All
5	GM120394	GM	Washer, Flat Deflector Nut	AR	All	All
6	R058055	GM	Shaft, Oil Pump Drive	1	7.4 Std	All
6	R058056	GM	Shaft, Oil Pump Drive	1	7.4 HO	LH
7	R005012	GM	Pan, Oil	1	7.4 Std	All
7	R005013	GM	Pan, Oil	1	7.4 HO	LH
7	R005017	GM	Pan, Oil	1	MARK V	All
7	R005021	GM	Oil Pan Assembly	1	7.4 1991, 93	All
7	R005022	GM	Oil Pan Assembly	1	7.4 1996	All
8	RS0279	U	Bolt, HH Oil Pan Retaining 5/16"-18 x 5/8"	20	All	All
9	RM0040	GM	Gasket, Oil Drain Plug	1	All	All
10	R069042	GM	Plug, 12 MM Oil Drain	1	All	All
10	R069062	GM	Plug, 1/2" Oil Drain	1	All	All
NI	RK024056A	GM	Kit, Oil Drain For 1/2" Sized Drain Plug	1	All	All
NI	RK024179	GM	Kit, Oil Drain For 12MM Sized Drain Plug	1	All	All
11	R077002	GM	Filter, Oil	1	All	All
12	R041042	GM	Tube, Dipstick	1	All	All
13	R041043	GM	Dipstick	1	All	All
14	RA057019	GM	Pump, Water Circulation	1	All	All
15	RM0204	GM	Gasket, Water Pump To Block	2	All	All
16	R095026	GM	Stud, Water Pump Upper	1	All	All
16	RS0307	U	Bolt, HH, Water Pump Attaching 3/8"-16 x 1 3/4"	4	All	All
17	R079048	GM	Fitting, Adapter Oil Filter	1	7.4/8.2	All

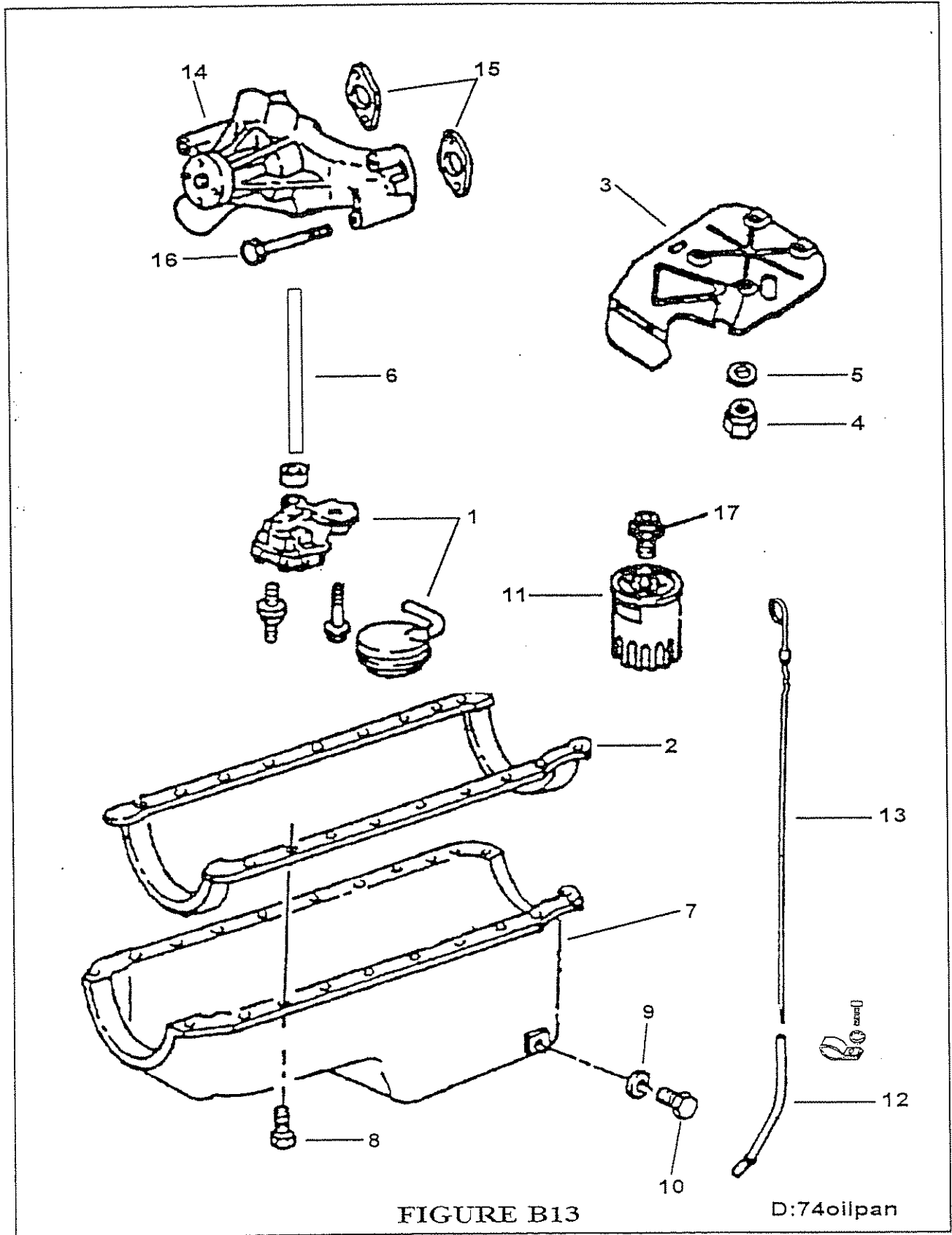


FIGURE B13

D:74oilpan

GM FLYWHEEL HOUSING & DRIVE DAMPER

REF NO.	PART NUMBER	CODE	DESCRIPTION	QTY	APP	ROT
1	R142006	GM	Flywheel Housing With Top Rear Mount Starter	1	All	All
1A	R142006B	GM	Flywheel Housing Bottom Front Mount Starter	1	1998 On	All
2	RS0311	U	Bolt, Flywheel Housing Attaching 3/8" - 16 x 2 3/4"	2	All	All
3	RS0305	U	Bolt, Flywheel Housing Attaching 3/8" - 16 x 1 1/4"	2	All	All
4	R143077	U	Decal, "GROUND HERE"	1	All	All
5	RS1029	U	Nut 7/16" x 14	4	All	All
6	R031005	U	Stud, Warner Transmission To Flywheel Housing Mounting	4	Warner	All
7	RS2181	U	Washer, Lock 7/16"	6	All	All
7	RS2181	U	Washer, Lock 7/16"	4	PCM	All
8	RS0337	U	Bolt, Transmission Attaching 7/16" - 14 x 3 1/2"	2	Warner	All
8	RS0334	U	Bolt, PCM Transmission To Flywheel Housing 7/16" - 14 x 2 3/4"	4	PCM	All
9	RS0251	U	Bolt, Inspection Plate Attaching 1/4" - 20 x 1/2"	6	All	All
10	RS0308	U	Bolt, Flywheel Housing Attaching 3/8" - 16 x 2"	1	All	All
11	R031026	GM	Stud, Special 3/8" 16 x 1 1/4" Ground Location Replaces 1 RS0305	1	All EFI	All
11A	RS1028	U	Nut, For R031026 Stud 3/8" x 16	1	All	All
NI	RK090057	GM	Kit, Shift Control Bracket {Includes 12 And 12A plus Hardware}	1	Warner 71C/72C	All
12	R090084	GM	Bracket, Shift Support Plate	1	Warner 71C/72C	All
NI	RK090057	U	Kit, Bracket, Shift Warner In Line Units	1	10-17 And 10-18	All
12A	R090143	U	Bracket, Shift PCM Units	1	All PCM	All
12B	R024024	U	End, Cable	1	All	All
NI	R082009	U	Pin, Cotter Brass 1/16" x 1"	1	All	All
NI	R090086	U	Retainer, Shift Cable Anchor	1	All	All
13	R019004	U	Plate, Inspection For Top Mount Starter	1	All	All
13A	R019007	U	Plate, Inspection For Bottom Mount Starter	1	All	All
14	RS2180	U	Washer, Lock 3/8"	3	All	All
15	R140004	GM	Damper, Drive Plate For Warner Transmission	1	5.0, 5.7	All
15	R140016	GM	Damper, Drive Plate For PCM Transmission	1	5.0, 5.7	All
15	R140005	GM	Damper, Drive Plate	1	7.4	All
16	R009092	GM	Bolt, Special Damper Attaching	3	All	All
17	RA122008	GM	Starter, Top Mount 14" Flywheel, RH Rotation	1	All	RH
17	RA122009	GM	Starter, Top Mount 14" Flywheel, LH Rotation	1	All	LH
18	RA122015	GM	Starter, Bottom Mount Standard {LH} Rotation 14" Flywheel	1	All	LH
18	RA122016	GM	Starter, Bottom Mount Standard {LH} Rotation 12 3/4" Flywheel	1	All	LH
19	RS1078	U	Nut, Hex With Lockwasher 1/4" -20	1	All	All
20	R090085	GM	Plate, Shift Lever	1	All	All
21	RS5114	U	Screw, Machine 1/4" - 20 x 1/2"	1	All	All

THE ILLUSTRATION FOR REFERENCE NUMBERS ON THIS PAGE WILL BE FOUND ON FIGURE B14

GM FLYWHEEL & DRIVE DAMPER

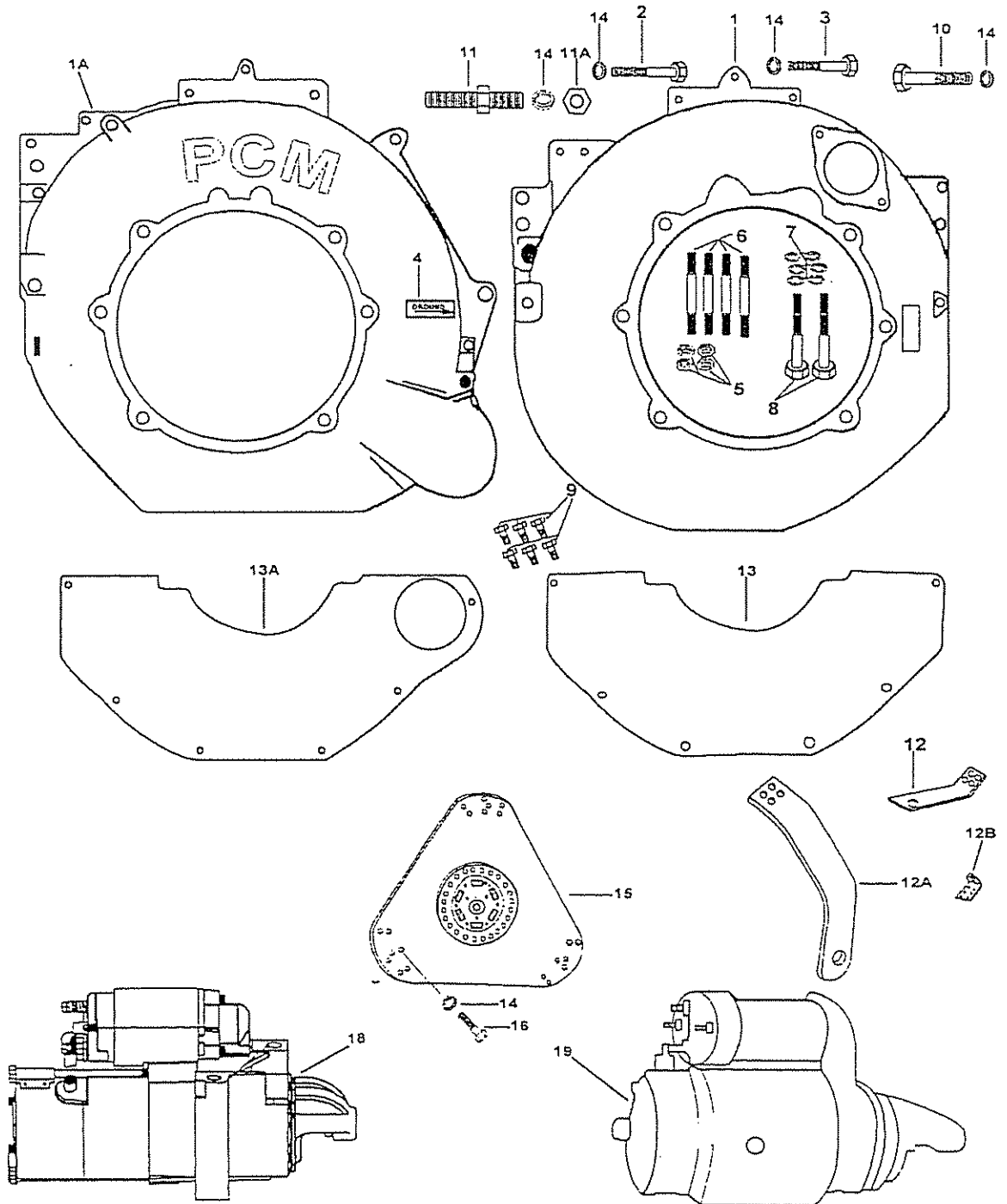


FIGURE B14

pg79cmbo

FORD 5.0 AND 5.8 WATER PUMP GROUP

REF NO.	PART NUMBER	CODE	DESCRIPTION	QTY	APP	ROT
---------	-------------	------	-------------	-----	-----	-----

SHERWOOD RAW WATER SUPPLY PUMP

NI	RA057007	F	Pump, Raw Water Assembly	1	All	All
NI	RA057008	F	Kit, Major Repair (Items 8 Thru 22)	1	All	All
NI	RP061015	F	Kit, Minor Repair (Items 2 And 6)	1	All	All
1	R057007	F	Housing, Impeller Brass	1	All	All
2	R047111	F	"O" Ring	1	All	All
3	R175042	U	Screw, Cam Retaining	1	All	All
4	R161010	F	Cam	1	All	All
5	R164014	U	Key, Impeller Drive	1	All	All
6	R061015	F	Impeller	1	All	All
7	R109022	F	Plate, End {As Illustrated}	1	All	All
7	R109029	F	Plate, End {Triangular}	1	All	All
NI	RM0125	F	Gasket, Wear Plate	1	AR	All
8	R048069	F	Ring, Retaining	2	All	All
9	R096067	F	Washer, Thrust	1	All	All
10	R047113	F	Seat, Seal	1	All	All
11	R047112	F	Seal, Mechanical	1	All	All
NI	RK047112	F	Kit, Seal Seat	1	All	All
12	R057008	F	Housing, Bearing	1	All	All
13	R175043	U	Screw, Cap Housing Assembly	3	All	All
14	R096068	U	Washer, Lock	3	All	All
15	R048070	F	Ring, Retaining	2	All	All
16	R058037	F	Shaft	1	All	All
17	R067035	F	Bearing	2	All	All
18	R062030	F	Spacer, Bearing	1	All	All
19	R065011	F	Pulley, Non Press On	1	All	All
20	R062031	F	Spacer, Pulley	1	All	All
21	R048071	U	Ring, Pulley Retaining	1	AR	All
22	R164013	U	Key, Pulley Drive	1	AR	All
NI	R022013	U	Pin, Pulley Locking	1	AR	All
23	R090008	F	Bracket, Pump Mounting	1	All	All
24	RS0281	U	Bolt, Pump To Bracket 5/16" 18 x 7/8"	2	All	All
25	RS2674	U	Washer, Flat Belt Tension Adjustment 5/16"	1	All	All
26	RS2179	U	Washer, Lock 5/16"	2	All	All
27	RS0302	U	Bolt, Bracket To Block 3/8" 16 x 3/4"	2	All	All
28	RS2180	U	Washer, Lock 3/8"	2	All	All

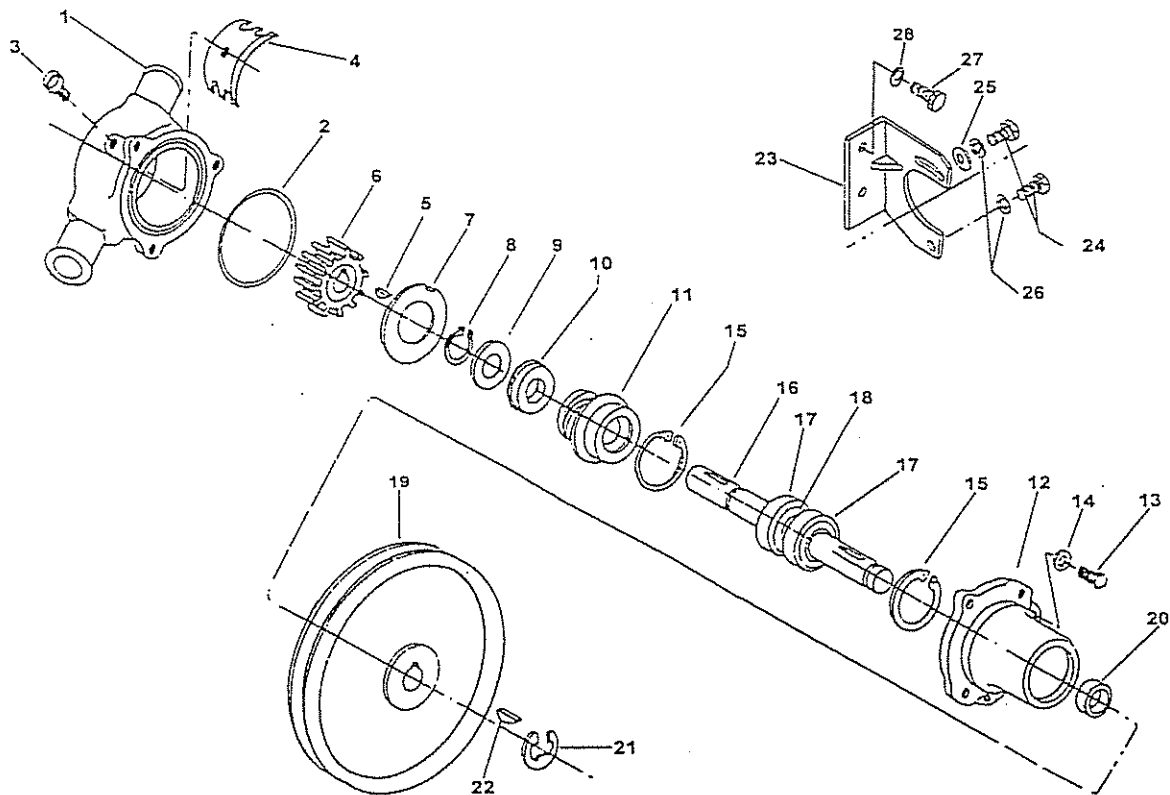
CIRCULATING PUMP

26	RS2179	U	Washer, Lock 5/16"	6	All	All
29	RA057004	F	Pump, Water Assembly, Bi-rotational	1	All	All
29	RA057003	F	Pump, Water Assembly, LH Only	1	All	LH
30	RM0043	F	Gasket, Pump To Block	1	All	All
31	R065001	F	Pulley, Pump Drive	1	All	All
32	RS0284	U	Bolt, Water Pump Attaching { 5/16" 18 x 1 1/2" Long }	4	All	All
33	RS0288	U	Bolt, Water Pump Attaching { 5/16" x 18 x 2 1/2" Long }	1	All	All
34	RS0383	U	Bolt, Water Pump Attaching { 5/16" x 18 x 3 5/8" Long }	1	All	All
35	RS0297	U	Bolt, Water Pump Attaching { 5/16" x 18 x 5" Long }	3	All	All
36	RS0775	U	Bolt, Pulley Attaching 5/16 24 x 3/4"	4	All	All
NI	R066001	F	Belt, Alternator Drive	1	All	All
NI	R066008	F	Belt, Water Pump Drive	1	All	All
NI	RP066001/S	F	Set, Belt Water Pump And Alternator	1	All	All

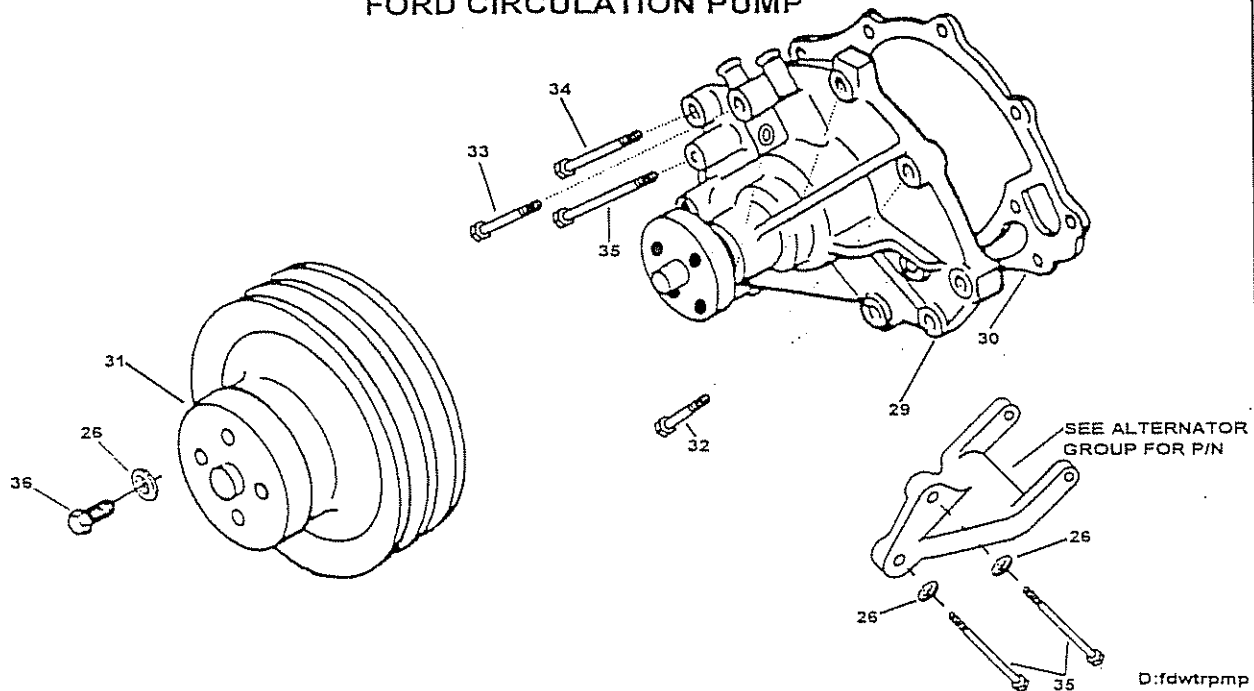
JABSCO WATER PUMP

NI	RP061003	F	Kit, Impeller And Gasket {Waukesha 302 And 351 Engines}	1	All	All
----	----------	---	---	---	-----	-----

FORD RAW WATER PUMP



FORD CIRCULATION PUMP



FORD WATER HOSES AND COOLING SYSTEM COMPONENTS

REF NO.	PART NUMBER	CODE	DESCRIPTION	QTY	APP	ROT
---------	-------------	------	-------------	-----	-----	-----

RAW WATER COOLING SYSTEM

1-6	R045004	U	Hose, 1" x 4 Foot Bulk Lengths	AR	All	All
7-8	R045005	U	Hose, 1 3/4" x 4 Foot Bulk Lengths	AR	All	All
9	R024001	F	Elbow, Thermostat Housing To Pump	1	All	All
10	RS3552	U	Plug, Drain Elbow 1/4" NPT	1	All	All
11	R090011	F	Bracket, Hose Support	1	All	All
12	RS0280	U	Bolt, Bracket Clamp 5/16" 18 x 3/4"	1	All	All
13	RS0325	U	Bolt, Bracket Mounting 7/16" 14 x 3/4"	1	All	All
14	RS1027	U	Nut, Clamp Bolt 5/16" 18	1	All	All
15	RS2179	U	Washer, Lock Clamp 5/16"	1	All	All
16	RS2181	U	Washer, Lock Mounting Bolt 7/16"	1	All	All
17	RS3851	U	Clamp, Hose Size No.16 1" To 1 1/2"	10	All	All
18	RS3852	U	Clamp, Hose Size No. 28 1 3/4" To 2 3/4"	4	All	All

FORD FRESH WATER COOLING SYSTEM {COMMON PARTS}

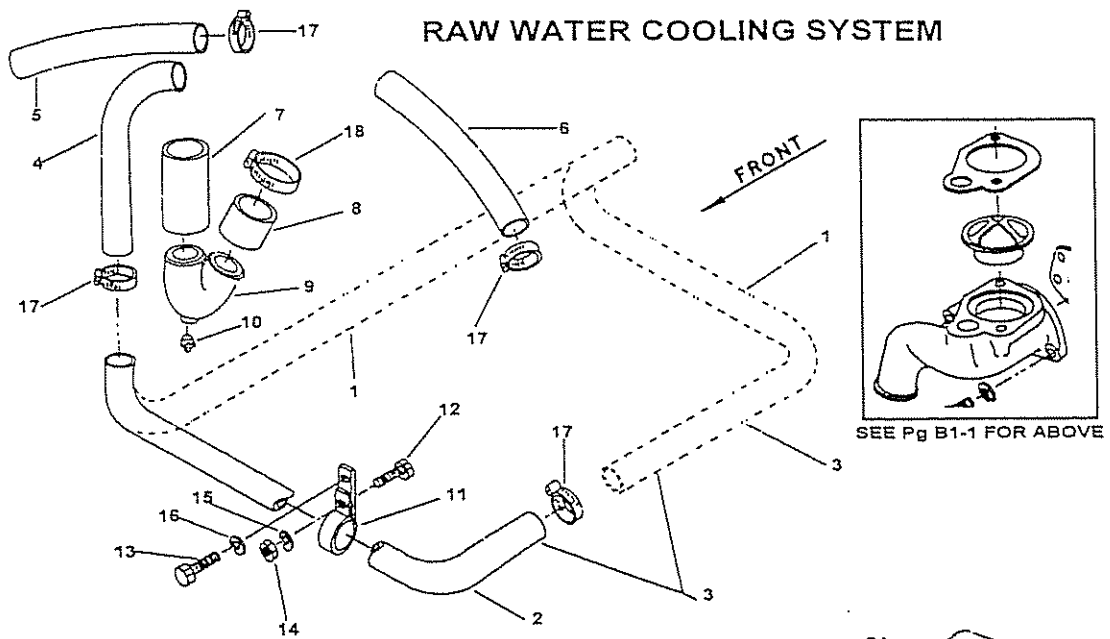
2A	R034006	U	Cap, Surge Tank Pressure 13 To 15 PSI	1	All	All
3A	R047011	U	Seal, Thermostat Valve	1	All	All
4A	RM0004	U	Gasket, Cover To Body	1	All	All
5A	R025004	F	Housing, Thermostat Lower	1	All	All
6A	RP026001	U	Thermostat, 170 Degree F.	1	All F/W AR	All
6A	RP026003	U	Thermostat, 143 Degree F.	1	All F/W AR	All
7A	RM0001	F	Gasket, Lower Thermostat Housing To Manifold	1	All	All
8A	RS0297	U	Bolt, Lower Thermostat Housing To Manifold Long 5/16" 18 x 5"	1	All	All
9A	RS0283	U	Bolt, Lwr Thermostat Housing To Manifold Short 5/16" 18 x 1 1/4"	1	All	All
10A	RS0283	U	Bolt, Lower To Upper Thermostat Housing 5/16" 18 x 1 1/4"	4	All Ex Power Plus	All
12A	R045027	U	Hose, Heat Exchanger To "Y" Fitting	1	All	All
14A	R045005C	U	Hose, Upper Thermostat Housing To "Y" Fitting	1	5.0	All
14A	R045005D	U	Hose, Upper Thermostat Housing To "Y" Fitting	1	5.8	All
15A	RB025009	U	Housing, Thermostat Upper Includes Seal	1	All	All
16A	R024002	U	Fitting, "Y"	1	All	All
17A	RS3852	U	Clamp, Fresh Water Hoses 1 3/4" To 2 1/4"	11	All	All
18A	R045025	U	Hose, Raw Water Pump-To-Heat Exchanger	1	All	All
19	R045004R	U	Hose, Raw Water Heat Exchanger To Tee	1	All	All
20	R045004M	U	Hose, Raw Water "T" To Left Manifold	1	All	All
21	R045004F	U	Hose, Raw Water "T" To Right Manifold	1	All	All
22	R024028	U	"T", Raw Water Distribution	1	All	All
23	RS3851	U	Clamp, Pump To Heat Exchanger Hose 1" To 1 1/2"	2	All	All
25	R045026	U	Hose, Heat Exchanger To Surge Tank	1	All	All
26	RS3851	U	Clamp, Raw Water Hoses 1" To 1 1/2"	6	All	All
27	RS2424	U	Washer, Lock 5/16" External Snakeproof	6	All	All
29	RS0305	U	Bolt, Bracket To Block 3/8" 16 x 1 1/4"	1	All	All
30	RS2675	U	Washer, Flat 3/8"	1	All	All
31	RS2180	U	Washer, Lock 3/8"	1	All	All
32	RS1028	U	Nut, Hex 3/8" 16	1	All	All
33	R090038	F	Bracket, Heat Exchanger Rear	1	All	All
34	RS3853	U	Clamp, Heat Exchanger To Brackets 3" To 3 1/2"	2	All	All
35	RS0304	U	Bolt, Bracket To Flywheel Housing 3/8" 16 x 1"	1	All	All
36	R045029	U	Hose, Overflow Clear Vinyl Bulk	1	All	All
37	R168005	F	Anode	1	All	All
NI	RM0002	U	Gasket, Riser {See Page C5-1 Item # 7 }	2	All	All

STANDARD ENGINES {UNIQUE PARTS}

NI	RK025009	F	Kit, Fresh Water Cooling Complete	1	5.0, 5.8 Std	All
1A	RA147009	U	Tank, Surge Includes 13 lb. Pressure Cap	1	All Std	All
11A	RA147008	F	Heat Exchanger, Single Pass	1	All Std	All
13A	R045005B	U	Hose, Surge Tank To Upper Thermostat Housing	1	All Std	All
24	R090040	F	Bracket, Surge Tank	1	5.8 Std	All
24	R090035	F	Bracket, Surge Tank	1	5.0	All
28	R090039	F	Bracket, Heat Exchanger Front	1	All Std	All

FORD WATER HOSES and COOLING SYSTEM

RAW WATER COOLING SYSTEM



FRESH WATER COOLING SYSTEM

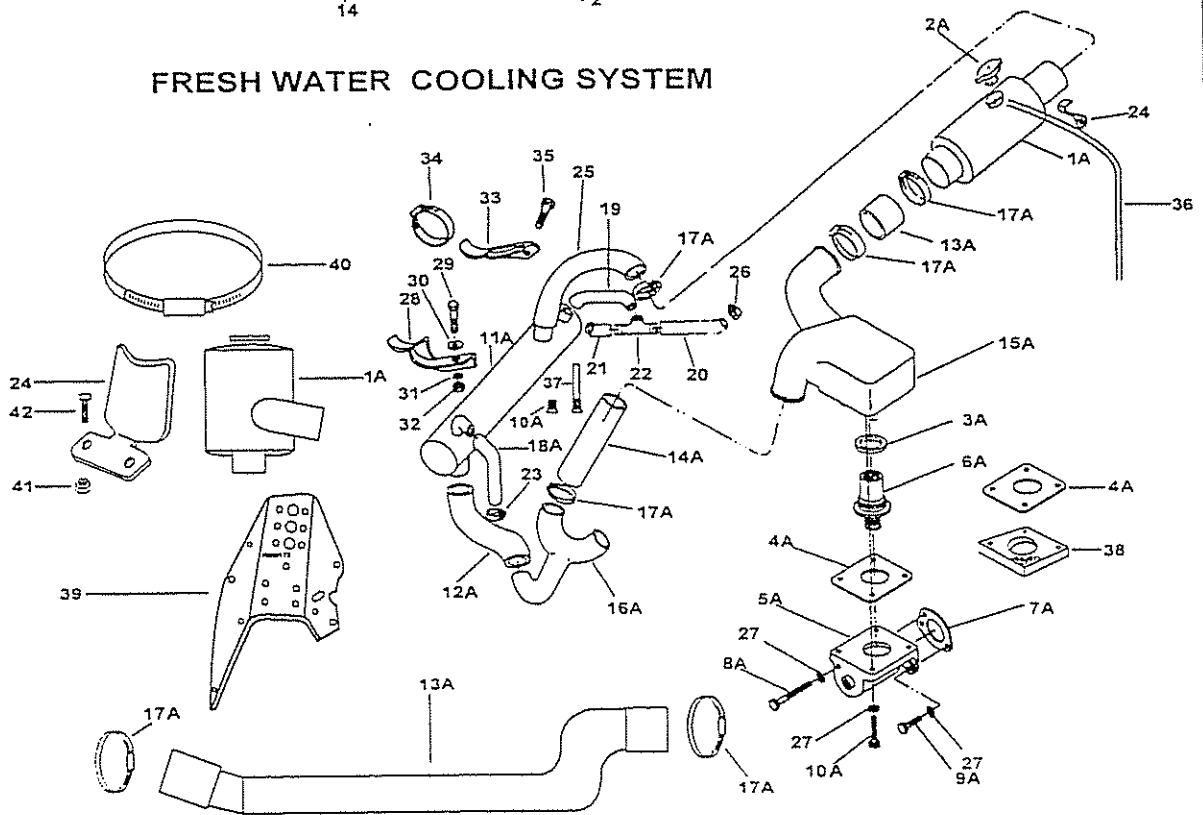


FIGURE C2

D:fdwrths

FORD WATER HOSES AND COOLING SYSTEM COMPONENTS

REF NO.	PART NUMBER	CODE	DESCRIPTION	QTY	APP	ROT
---------	-------------	------	-------------	-----	-----	-----

POWER PLUS {UNIQUE PARTS}

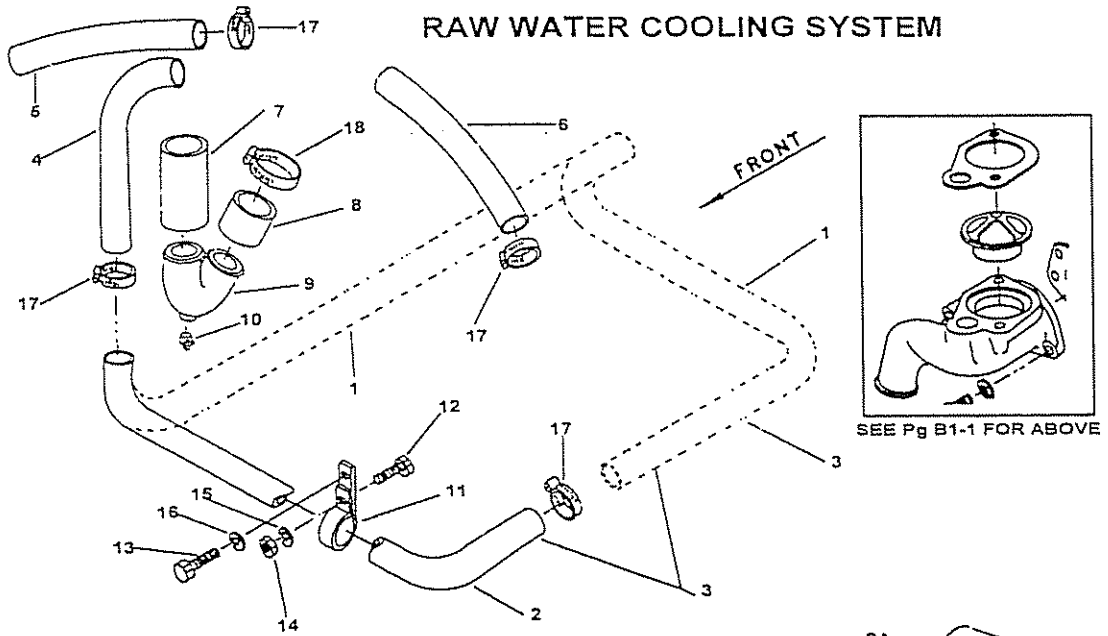
NI	RK025009D	F	Kit, Fresh Water Cooling Complete	1	5.8 Power Plus	All
4A	RM0004	U	Gasket, Power Plus	2	5.8 Power Plus	All
10A	RS3932	U	Bolt, Lower To Upper Thermostat Housing 5/16" 18 x 2 1/4"	4	5.8 Power Plus	All
38	R062072	F	Spacer, 1" Between Upper And Lower Thermostat Housings	AR	5.8 Power Plus	All

GT40 ENGINES {UNIQUE PARTS}

NI	RK025009F	F	Kit, Fresh Water Cooling Complete	1	GT40	All
1A	RA147032	U	Tank, Surge Vertical Design Includes 13 lb. Pressure Cap	1	GT40	All
6A	RP026002	U	Thermostat, 160 Degree F. Raw Water	1	GT40	All
11A	RA147033	F	Heat Exchanger, Dual Pass {All SEA MAXX And GT40}	1	GT40	All
NI	RK034043	U	End Cap Kit, Dual Pass 3" Heat Exchanger	AR	All	All
13	R045101	F	Hose, Surge Tank To Upper Thermostat Housing	1	GT40	All
13A	R045101	F	Hose, Surge Tank To Heat Exchanger (Cut To Fit)	1	GT40	All
24	R090186	F	Bracket, Surge Tank	1	GT40	All
28	R090187	F	Bracket, Heat Exchanger Front	1	GT40	All
39	R090173	F	Bracket, ECM And Surge Tank Bracket {R090186} Mounting	1	GT40	All
40	RS3861	U	Clamp, Surge Tank To Bracket, 5 1/2 " Diameter	2	GT40	All
41	RS1078	U	Nut, Shakeproof, 1/4" X 20	2	GT40	All
42	RS0254	U	Bolt, Bracket Attaching, 1/4" x 20 x 7/8" Long	2	GT40	All

FORD WATER HOSES and COOLING SYSTEM

RAW WATER COOLING SYSTEM



FRESH WATER COOLING SYSTEM

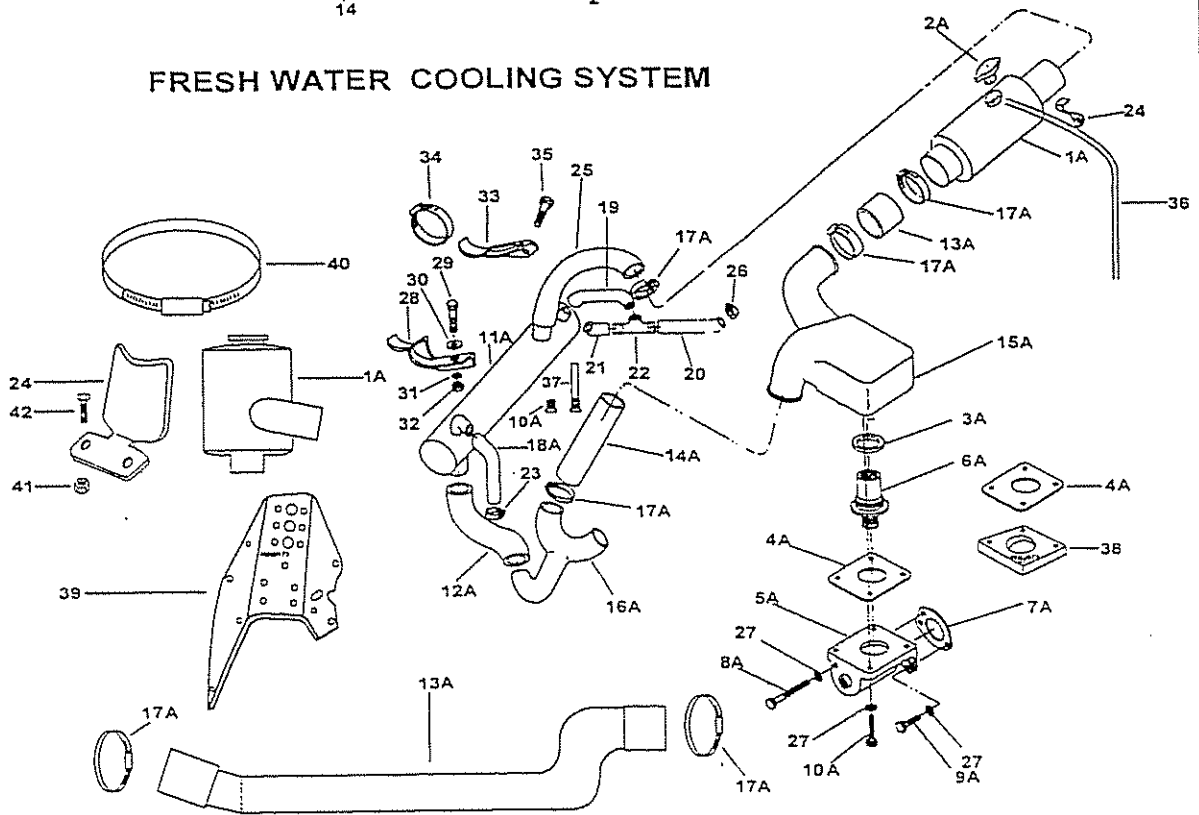


FIGURE C2

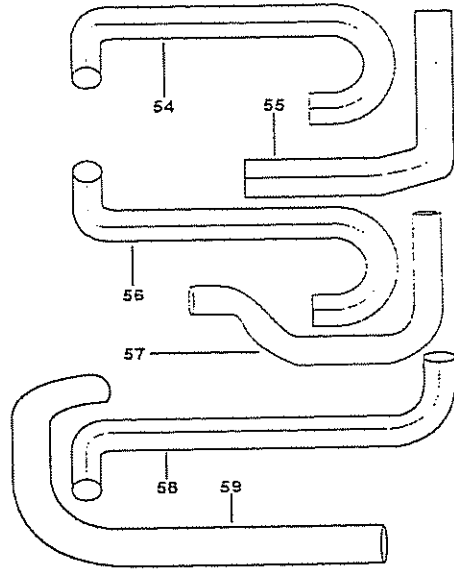
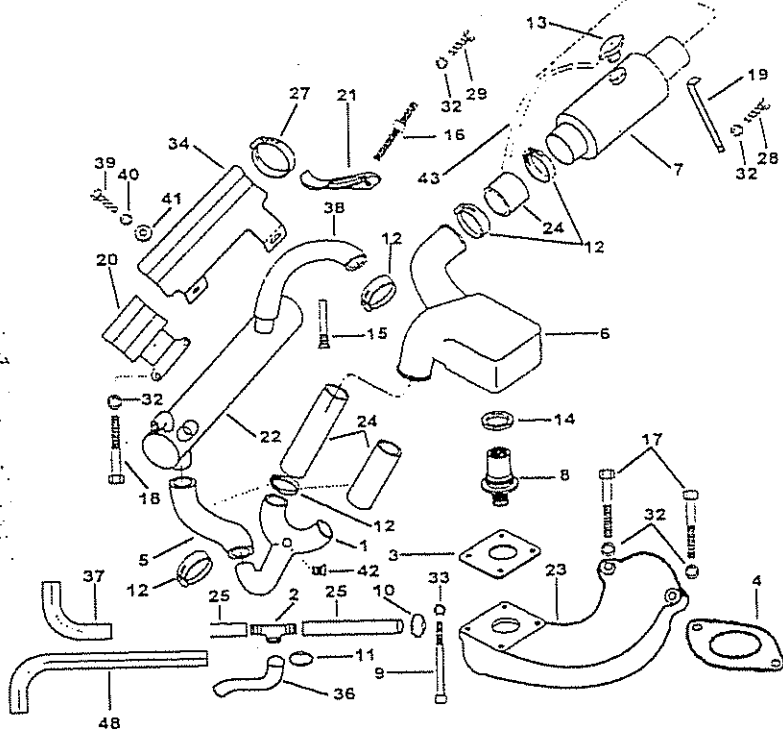
D:fdwtrhs

GM FRESH WATER COOLING

REF NO.	PART NUMBER	CODE	DESCRIPTION	QTY	APP	ROT
COMMON PARTS						
1	R024002	U	Connector, "Y" Water Pump, Thermostat Housing and Exchanger	1	All GM	All
2	R024054	U	Fitting, "T" 1" x 1" x 1 1/4"	1	All GM	All
3	RM0004	U	Gasket, Thermostat Housing Upper To Lower	1	All GM	All
4	RM0121	GM	Gasket, Water Outlet	1	All GM	All
5	R045027	U	Hose, Molded 1 3/4" ID "Y" Conn. To Heat Exchanger Trim To Fit	1	5.7	All
6	R025009	GM	Housing, Thermostat Upper	1	All GM	All
7	RA147009	U	Tank, Surge	1	All GM	All
8	R026003	U	Thermostat, By-Pass Type 143°	1	All GM	All
9	RS3932	U	Bolt, SHCS 5/16"-18 x 2 1/4" Upper To Lwr Thermo. Hsg. Attach.	4	All GM	All
10	RS3851	U	Clamp, Hose Stainless 1" To 1 1/2"	6	All GM	All
11	RS3858	U	Clamp, Hose Stainless 1 1/4" To 1 3/4"	4	All GM	All
12	RS3852	U	Clamp, Hose Stainless 1 3/4" To 2 1/4"	11	All GM	All
13	R034006	U	Cap, Surge Tank, Pressure 13 TO 15 psi	1	All	All
14	R047011	U	Seal, Thermostat Valve	1	All	All
15	R168005	U	Anode	1	All	All
16	R031026	U	Stud, Ground, Rear Bracket To Block 3/8" - 16 x 1 1/4"	1	5.7	All
17	RS0309	U	Bolt, HHCS 3/8" - 16 x 2 1/4" Thermostat Housing Attaching	2	All GM	All
18	RS0311	U	Bolt, HHCS 3/8" - 16 x 2 3/4" Mount Bracket To Block	2	5.7	All
19	RO90203	GM	Bracket, Surge Tank Support Rear	1	5.7	All
19	RO90040	GM	Bracket, Surge Tank (Bend To Fit)	1	7.4	All
20	R090189	GM	Bracket, Front F/W Heat Exchanger Mounting	1	5.7	All
21	R090038	U	Bracket, Rear F/W Heat Exchanger Mounting	1	5.7	All
22	RA147034	GM	Exchanger, Heat 2 Pass 3" OD Under Exhaust Manifold	1	5.7	All
22	RA147028	GM	Exchanger, Heat 2 Pass 4" OD Under Exhaust Manifold	1	7.4	All
NI	RK034043	U	End Cap Kit, 3" OD Heat Exchanger	AR	5.7	All
23	R025020A	GM	Housing, F/W Thermostat Lower Drilled For 5.7 Positioning	1	5.7	All
23	R025020B	GM	Housing, Thermostat Lower Drilled For 7.4 Positioning	1	7.4	All
24	R045005E	U	Hose, Bulk 1 3/4" ID x 7" "Y" Connector Cut To Fit	2	5.7	All
24	R045005C	U	Hose, Bulk 1 3/4" ID x 8 1/2" "Y" Connector Cut To Fit	1	5.7	All
24	R045005I	U	Hose, Bulk 1 3/4" ID x 5" "Y" Connector To Heat Exchanger	1	7.4	All
24	R045005I	U	Hose, Bulk 1 3/4" ID x 5" Thermostat Housing To Expansion Tank	1	7.4	All
24	R045005A	U	Hose, Bulk 1 3/4" ID x 6" Circulation Pump To "Y" Fitting	1	7.4	All
24	R045005J	U	Hose, Bulk 1 3/4" ID x 13" Long "Y" Fitting To Thermostat Housing	1	All GM	All
25	R045004I	U	Hose, Bulk 1" ID x 6" Cut To Fit	1	5.7	All
25	R045004Q	U	Hose, Bulk 1" ID x 7" Cut To Fit	1	5.7	All
27	RS3853	U	Clamp, Hose Stainless 3" - 3 1/2" Heat Exchanger to Bracket Attach.	2	5.7	All
27	RS3857	U	Clamp, Hose Stainless 4" - 4 1/2" Heat Exchanger to Bracket Attach.	2	7.4	All
28	RS0302	U	Bolt, HHCS 3/8" - 16 x 3/4" Expansion Tank Bracket Attaching	1	5.7	All
29	RS0306	U	Bolt, HHCS 3/8" - 16 x 1 1/2" Rear Heat Exchanger Bracket Attach.	1	5.7	All
32	RS2180	U	Washer, Spring Lock 3/8"	1	5.7	All
33	RS2424	U	Washer, Lock 5/16 External Shakeproof	1	5.7	All
34	R090192	GM	Bracket, Heat Exchanger (4" Diameter) Mounting	1	7.4	All
36	R045031	GM	Hose, Molded 1 1/4" ID Heat Exchanger To "T" Fitting. Trim To Fit	1	7.4	All
37	R045025	GM	Hose, Molded 1" ID "T" Fitting To Starboard Manifold. Trim To Fit	1	7.4	All
38	R045026	GM	Hose, Molded Surge Tank To Heat Exchanger Rear	1	7.4	All
39	RS0280	U	Bolt, HHCS 5/16" - 18 x 3/4" Heat Exchanger Bracket To Block	1	7.4	All
40	RS2179	U	Washer, Spring Lock 5/16" Heat Exchanger Bracket To Block	1	7.4	All
41	RS2721	U	Washer, Flat 3/8" Heat Exchanger Bracket To Block	1	7.4	All
42	RS3552	U	Plug, 1/4" NPT	1	All	All
43	R045029A	U	Tubing, Clear Vinyl 1/4" ID x 24" Long	1	All GM	All
44	RA147017	GM	Exchanger, Heat 3 Pass With Expansion Tank	1	5.7	All
44	RA147018	GM	Exchanger, Heat 3 Pass With Expansion Tank	1	7.4	All
45	R045021	U	Hose, Bulk 1 1/4" ID	A/R	All	All
46	R090103	GM	Bracket, Heat Exchanger Mounting { Starter Side}	1	All	All
47	R090104	GM	Bracket, Heat Exchanger Mounting { Left Side}	1	All	All
48	R045109	U	Hose, Molded 1" ID 90° Thermostat Housing To Manifold	A/R	All	All
49	RS0305	U	Bolt, HHCS 3/8" - 16 x 1 1/4" Thermo. Hsg. To Intake Manifold	2	5.7	All

GM FRESH WATER COOLING SYSTEM

SEPARATE COMPONENT SYSTEM



ONE PIECE EXCHANGER

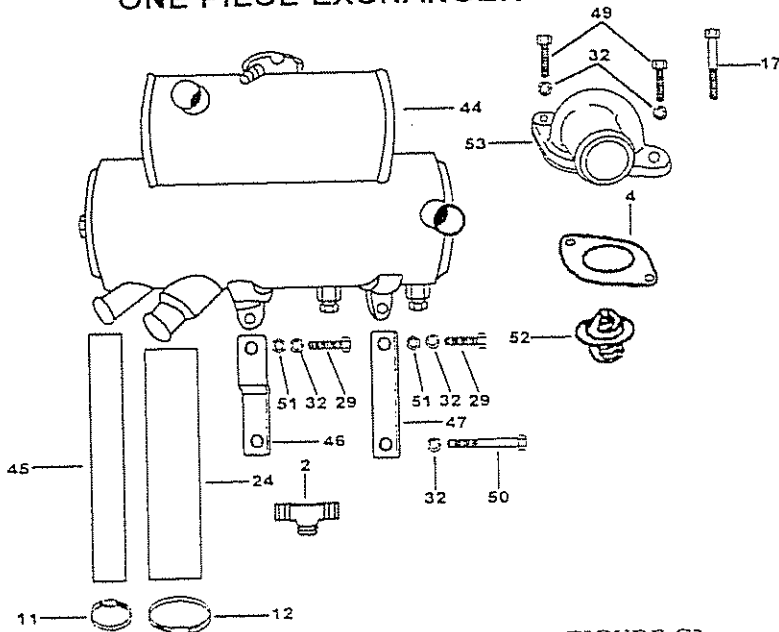


FIGURE C3

d:fwcomb

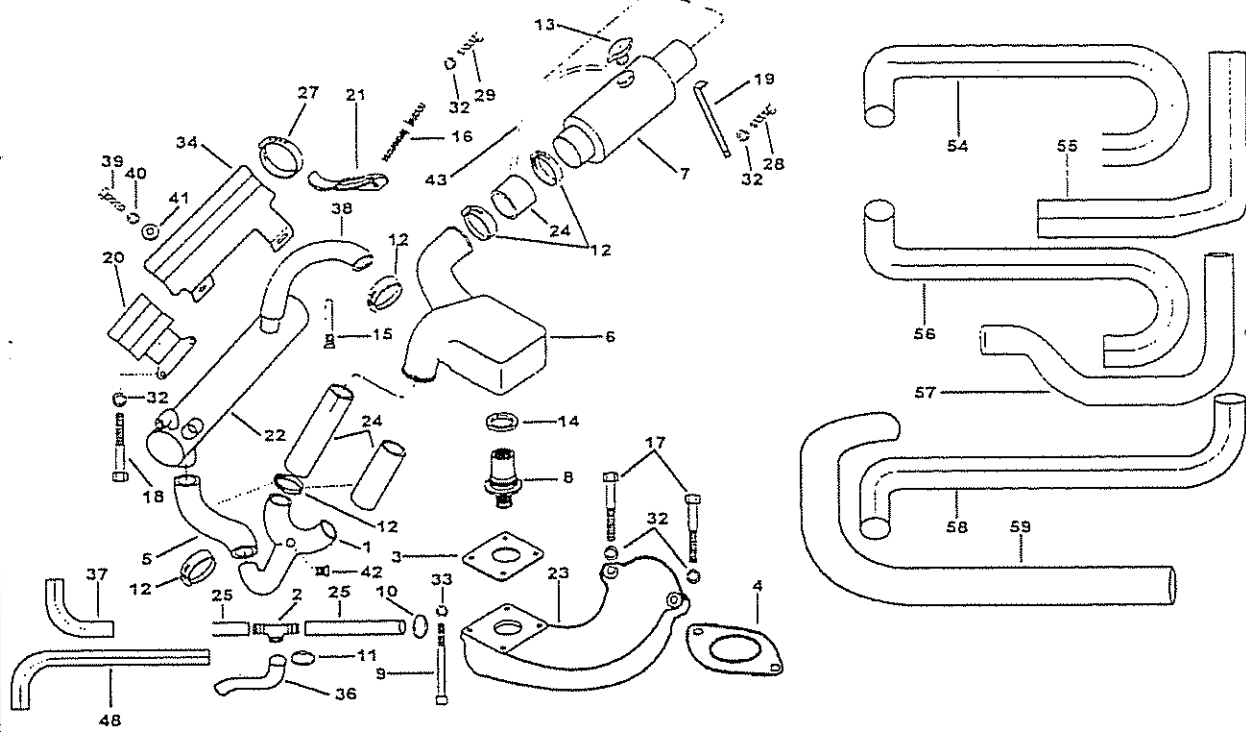
GM FRESH WATER COOLING

REF NO.	PART NUMBER	CODE	DESCRIPTION	QTY	APP	ROT
49	RS0305	U	Bolt, HHCS 3/8" - 16 x 1 1/4" Thermo. Hsg. To Intake Manifold	1	7.4	All
50	RS0310	U	Bolt, HHCS 3/8" - 16 x 2 1/2" Heat Exch. Bkt. To Block Mounting	1	All	All
51	RS1028	U	Nut, HEX 3/8" - 16	2	All	All
52	R026002	U	Thermostat, 160° F	1	All	All
53	R025015	GM	Housing, Thermostat	1	5.7	All
53	R025016	GM	Housing, Thermostat	1	7.4	All
54	R045102	GM	Hose, Molded Sea Water Pump To Heat Exchanger	1	5.7	All
55	R045106	GM	Hose, Molded Engine Oil Cooler To Sea Water Pump Inlet	1	5.7	All
56	R045105	GM	Hose, Molded Sea Water Pump To Heat Exchanger	1	7.4	All
57	R045114	GM	Hose, Molded Thermostat Housing To Ex. Manifold Port Side	1	7.4	All
58	R045104	GM	Hose, Molded Engine Oil Cooler To Sea Water Pump Inlet	1	7.4	All
59	R045113	GM	Hose, Molded Engine Oil Cooler To Sea Water Pump Inlet	1	All 1998 on	All
60	R045112	GM	Hose Molded Sea Water Pump To Heat Exchanger	1	5.7 1998 on	All

NI ... RK147028 ... GM. Kit, 7.4 Fresh Water Cooling {See Kit Section for Contents}

GM FRESH WATER COOLING SYSTEM

SEPARATE COMPONENT SYSTEM



ONE PIECE EXCHANGER

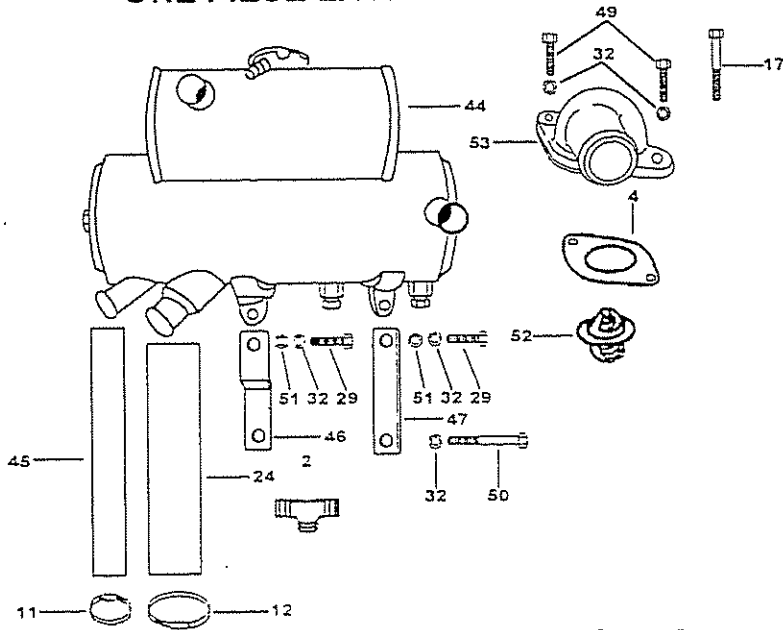


FIGURE C3

d:fwcomb

GM COOLING SYSTEM GROUP

REF NO.	PART NUMBER	CODE	DESCRIPTION	QTY	APP	ROT
	NLA	GM	Use RK025026			
1	RK025026	GM	Kit, Housing; Thermostat GM Raw Water Using Car Type Stat {includes Nos. 1A, 5, 6, & 7} *See Note 3	1	All GM	All
2	R025026	GM	Housing, Thermostat Uses Automotive Style **R026002 Thermostat	1	All 1997 On	All
3	R047011	U	Seal, Thermostat	1	All Thru 1996	All
4	R026003	U	Thermostat, Marine Style 143 Degrees	1	All Thru 1996	All
5	R026002	U	Thermostat, Automotive Style 143 Degrees {See Note **}	1	All 1997 On	All
6	R062078	GM	Adapter, Retaining For R026002 Thermostat	1	All 1997 On	All
7	RM0244	GM	Gasket, Thermostat Sealing	1	All 1997 On	All
8	RM0121	GM	Gasket, Housing	1	All	All
9	RS2180	U	Washer, Lock 3/8"	2	All	All
10	RS0458	U	Bolt, 3/8" - 16 x 3" Grade 8	2	All	All
11	RS3945	U	Bolt, 3/8" - 16 x 1 1/8" Socket Head {R025026 Housing}	2	All 1997 On	All
12	RS3852	U	Clamp, Hose 1-3/4" To 2 1/4"	2	All	All
13	RS3858	U	Clamp, Hose 1-1/4" To 1 3/4"	1	All	All
14	R045048	GM	Hose, Molded	1	5.0, 5.7	All
14	R045044	GM	Hose, Molded	1	7.4	All
15	RS3851	U	Clamp, Hose 1" To 1 1/2"	4	All	All
16	RS2674	U	Washer, Flat 5/16"	1	All	All
17	RS2179	U	Washer, Lock 5/16"	1	All	All
18	RS1527	U	Nut, 5/16" x 24	1	All	All
19	R090082	GM	Bracket, Hose Retainer	1	All	All
20	R045004*	U	Hose, 1" Bulk Thermostat Housing To Manifold	2	All	All
21	R045109	U	Hose, 1" Molded Thermostat Housing To Manifold	2	All	All
22	R045021*	U	Hose, 1 1/4" Bulk Water Pump To Thermostat Housing	1	All	All
22	R045021*	U	Hose, 1 1/4" Bulk Gear Cooler To Water Pump	1	All	All
NI	R090093	U	Bracket, Hose Retaining	1	7.4	All
NI	RS0282	U	Bolt, Bracket Attaching 5/16" - 18 x 1"	1	7.4	All
23	RA057018	GM	Pump, Water Circulation (Except Composition Timing Cover)	1	5.0/5.7	All
23	RA057027	GM	Pump, Water Circulation, GEN 1E with Composition Timing Cover	1	5.7 GEN 1E	All
23	RA057019	GM	Pump, Water Circulation	1	All 7.4	All
24	RM0203	U	Gasket, Water Pump To Block	2	5.0/5.7	All
24	RM0204	U	Gasket, Water Pump To Block	2	All 7.4	All
25	R031010	U	Stud, Water Pump Lower 3/8"-NC x 4 1/2"	1	5.0/5.7	All
25	R095026	U	Stud, Water Pump Upper	1	7.4	All
26	RS0307	U	Bolt, HH Water Pump Attaching 3/8" - 16 x 1 3/4"	1	5.0/5.7	All
26	RS0307	U	Bolt, HH Water Pump Attaching 3/8" - 16 x 1 3/4"	3	7.4	All
27	RS0311	U	Bolt, HH Water Pump Attaching 3/8" - 16 x 2 3/4"	2	5.0/5.7	All
28	RS0775	U	Bolt, Circulation Pulley Retaining 5/16" - 24 X 3/4"	4	All	All
29	RS2179	U	Washer, Lock 5/16"	8	All	All
30	R096073	GM	Washer, Pulley Reinforcing (Not used on 5.7 Liter S/N 405128 & subsequent)	1	All	All
31	R066010	GM	Belt, Alternator Drive (1/2" Belt)	1	5.0/5.7/7.4 Std	All
31	R066011	GM	Belt, Alternator Drive (1/2" Belt)	1	7.4/8.2	All
32	R065024	GM	Pulley, Alternator Drive (1/2" Belt) Motorola	1	All Motorola	All
32	R065038A	GM	Pulley, Alternator Drive (1/2" Belt) Mando	1	All Mando	All
33	R065014	GM	Pulley, Crankshaft (1/2" Belt)	1	5.0/5.7	All
33	R065016	GM	Pulley, Crankshaft (1/2" Belt)	1	7.4	All
33	20166	GM	Pulley, Crankshaft Single (3/8" Belt)	1	5.0/5.7	All
34	R065015	GM	Pulley, Circulation Pump (1/2" Belt)(Prior to S/N 405128)	1	5.0/5.7	All
34	9821	GM	Pulley, Circulation Pump (3/8" Belt) (Used on S/N 405128 & Subs)	1	5.0/5.7	All
34	RS0797	U	Bolt, Crankshaft Pulley To Balancer 3/8" - 24 x 3/4"	3	5.0/5.7/7.4 Std	All
34	RS0302	U	Bolt, Crankshaft Pulley To Balancer 3/8" - 16 x 3/4"	3	7.4 HO	All
35	RS2180	U	Washer, Lock 3/8"	3	All	All
36	R009091	GM	Bolt, Damper Retaining	1	All	All
37	R096074	GM	Washer, Flat Damper Retaining	1	All	All
38	R066021	GM	Belt, Sea Water Pump Drive (1/2" Belt)	1	All	All
39	RS0279	U	Bolt, Sea Water Pump Pulley Retaining 5/16" - 18 x 5/8"	4	All	All
40	RS2179	U	Washer, Lock 5/16"	8	All	All
41	RS65012	GM	Pulley, Sea Water Pump (1/2" Belt)	1	All	All

THE ILLUSTRATION FOR REFERENCE NUMBERS ON THIS PAGE WILL BE FOUND ON FIGURE C4

GM COOLING SYSTEM

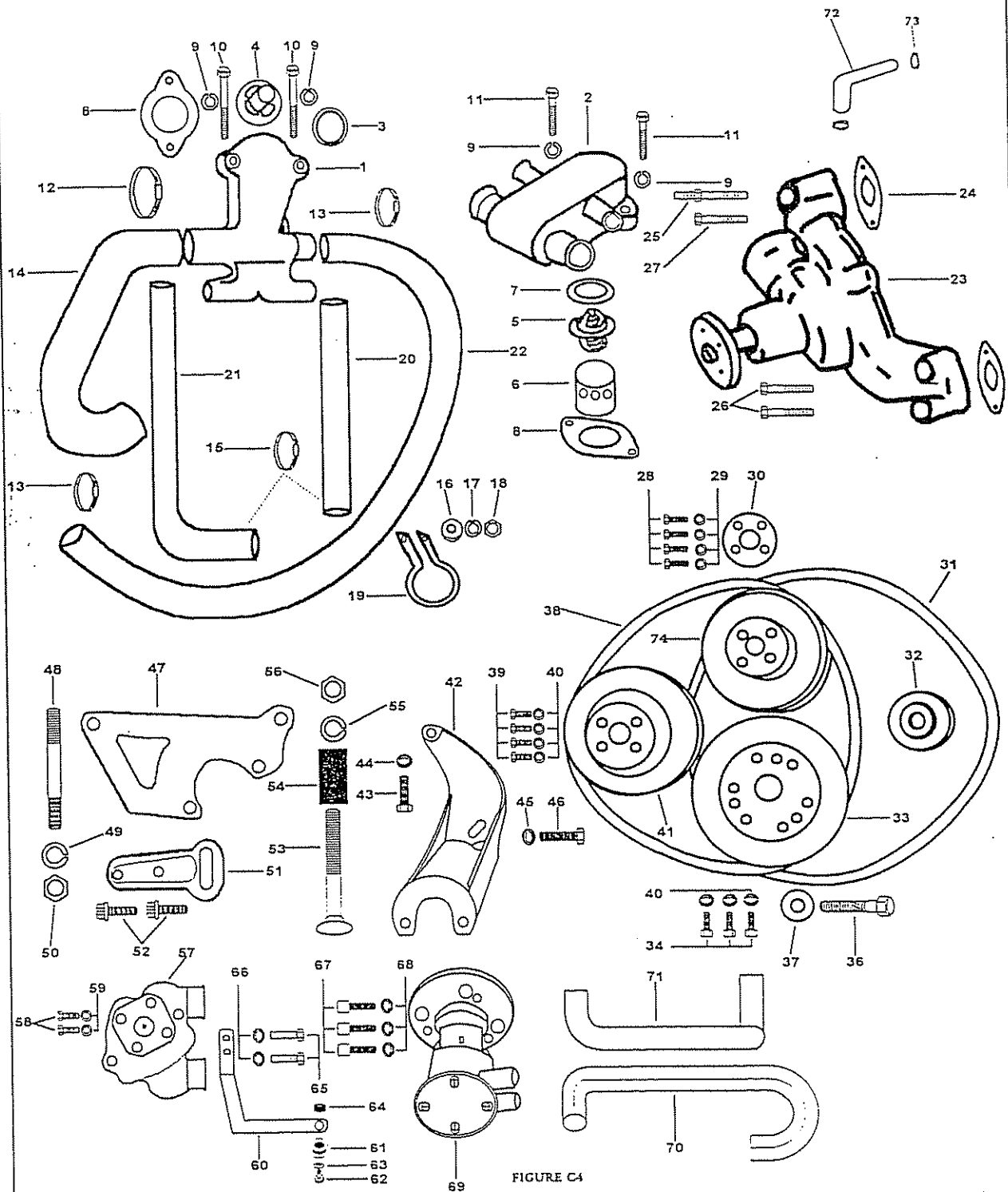


FIGURE C4

d:gmcool

GM COOLING SYSTEM GROUP

REF NO.	PART NUMBER	CODE	DESCRIPTION	QTY	APP	ROT
41		GM	Pulley, Water Pump Single {3/8" Belt}	1	7.4/8.2	All
42	R090088	GM	Bracket, Water Pump Mounting, Outer	1	All 7.4	All
NI	R090216	GM	Bracket, Raw water Pump Crankshaft	1	7.4/8.2	All
43	RS0328	U	Bolt, Bracket Attaching, 7/16" - 16 X 1 1/4"	1	All 7.4	All
44	RS2181	U	Washer, Lock 7/16"	2	All 7.4	All
45	RS2676	U	Washer, Flat 7/16"	1	All 7.4	All
46	RS0330	U	Bolt, Bracket Adjusting 7/16" - 14 x 1 3/4"	1	All 7.4	All
47	R090072	GM	Bracket, Water Pump Mounting, Outer	1	5.0/5.7	All
48	R031010	U	Stud, Outer Bracket Pivot 3/8" - 16 x 4 1/2"	1	5.0/5.7	All
49	RS2180	U	Washer, Lock Pivot Bracket stud 3/8"	1	5.0/5.7	All
50	RS1028	U	Nut, Bracket Stud, HH 3/8" - 16	1	5.0/5.7	All
51	RS90073	GM	Anchor, Bracket	1	All	All
52	RS0459	U	Bolt, Special 3/8" - 16 x 1 Grade 8 Dodecagon Head	2	All	All
53	R009090	U	Bolt, Loom 7/16" - 14 x 4"	1	All	All
54	R062036	U	Spacer	1	All	All
55	RS2181	U	Washer, Lock 7/16"	1	All	All
56	RS1029	U	Nut, HH 7/16" - 14	1	All	All
57	RA057009	U	Pump Assembly, Sea Water 1/4" Fitting	1	All	All
58	RS0281	U	Bolt, Pump Attaching 5/16" - 18 x 7/8"	2	All	All
59	RS2424	U	Washer, Lock 5/16" External Shakeproof	2	All	All
60	RK090177A	GM	Kit, Bracket, Crankshaft Mounted Pump Stabilizing & Hardware			
			{See Notes 1 & 3}	1	5.7	All
60	R090177A	GM	Bracket, Crankshaft Mounted Pump Stabilizing {See Note 2}	1	5.7	All
60	R090216	GM	Bracket, Crankshaft Mounted Pump Stabilizing	1	7.4,8.2	All
61	R094038	GM	Grommet, Bracket To Pump Isolating {See Note 2}	1	5.7	All
62	RS0280	U	Bolt, Bracket To Pump Attaching 5/16" - 18 x 3/4" {See Note 2}	1	5.7	All
63	RS2674	U	Washer, Flat Bracket To Pump Securing 5/16" {See Note 2}	1	5.7	All
64	R045100	GM	Hose, 1/2" ID 3/4" OD Non-Reinforced - Used as Isolator Between Sea Water Pump and Pump Anchor Bracket. Cut To size (1/2")	2	5.7	All
65	RS0050	U	Bolt, HH 3/8" - 16 x 1 1/4"	2	5.7	All
65	RS0325	U	Bolt, HH 7/16 -14 X 3/4"	2	7.4,8.2	All
66	RS2201	U	Washer, Lock 3/8"	2	5.7	All
66	RS2181	U	Washer, Lock 7/16"	2	7.4/8.2	All
67	R009161	GM	Bolt, HH 3/8" - 24 x 1 1/4" Grade 8 Pump To Crankshaft Attaching	3	5.7	All
67	RS3945	U	Screw, Socket Head Cap 3/8" - 16 X 1 1/8"	3	7.4,8.2	All
68	RS2201	U	Washer, Lock 3/8"	3	5.7	All
68	RS2180	U	Washer, Lock 3/8"	3	7.4/8.2	All
69	RA057026	GM	Pump, Water Crankshaft Mounted	1	5.7	All
70	R045102	GM	Hose, Molded, 1 1/4" ID Sea Water Pump To Heat Exchanger	1	5.7	All
71	R045097	GM	Hose, Molded, 1 1/4" ID Water Pump To Thermostat Housing	1	5.7	All

* Bulk Hose Number. Cut to Length

** "Automotive Style" Does Not Mean Automotive Thermostat. Do NOT Substitute Automotive Components For Marine Components

NOTE 1: Prior to SEA MAXX S/N 185001 & PCM S/N 385001

NOTE 2: Beginning with SEA MAXX S/N 185001 & PCM S/N 385001

NOTE 3 - Refer to KITS, OPTIONS AND ACCESSORIES {Section K} for details

THE ILLUSTRATION FOR REFERENCE NUMBERS ON THIS PAGE WILL BE FOUND ON FIGURE C4

GM COOLING SYSTEM

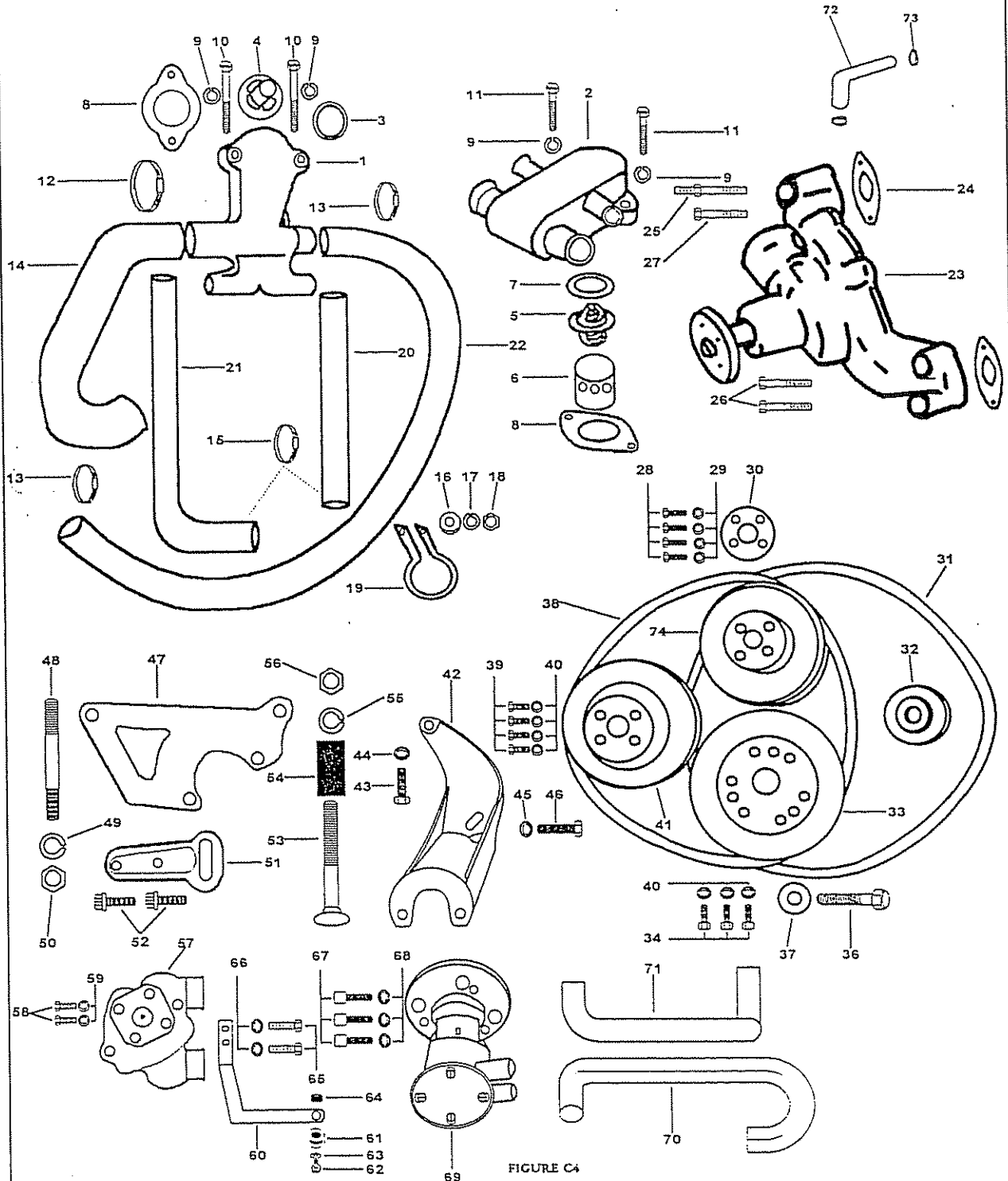
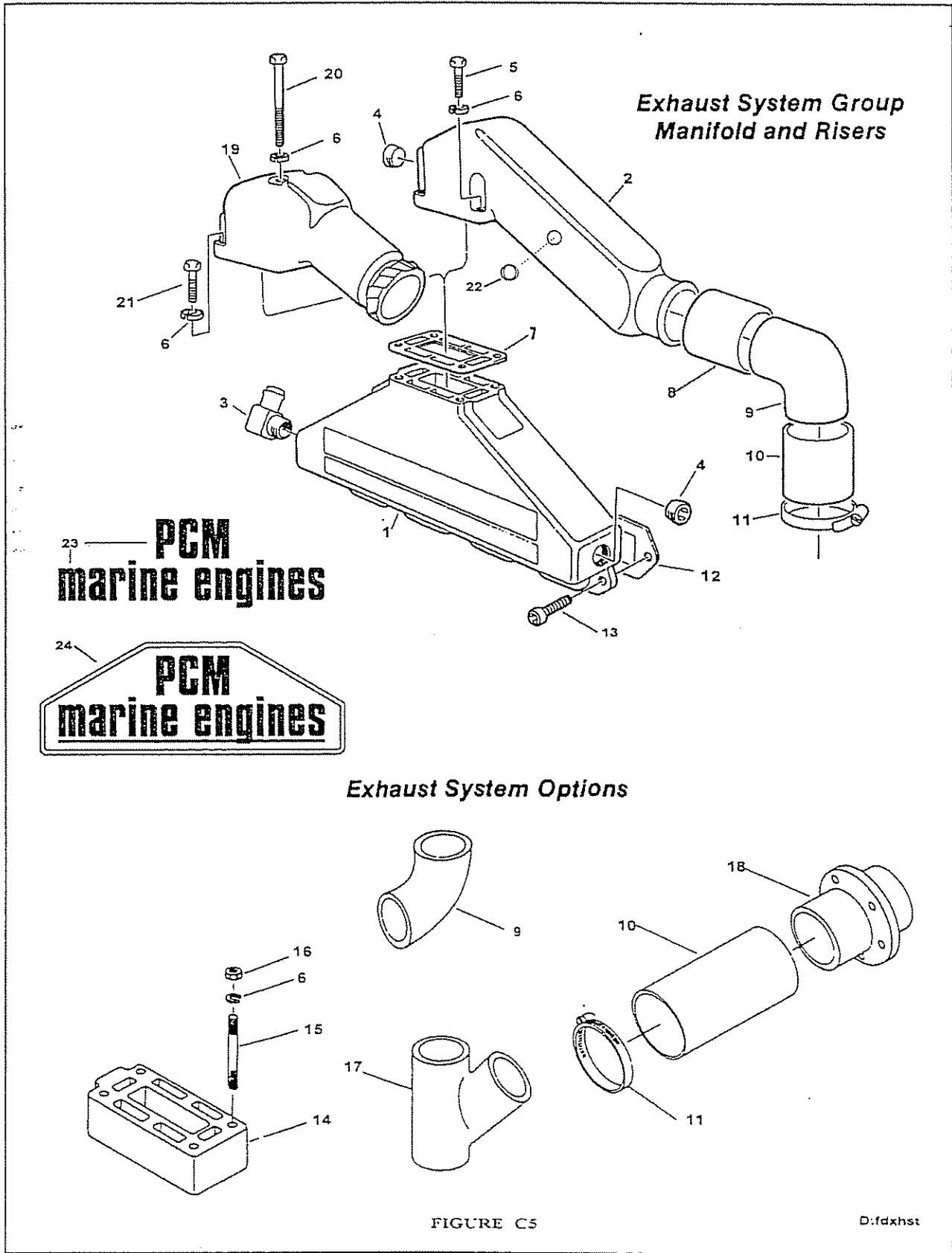


FIGURE C4

d:gmcool

EXHAUST SYSTEM MANIFOLD, RISER AND OPTIONS GROUP

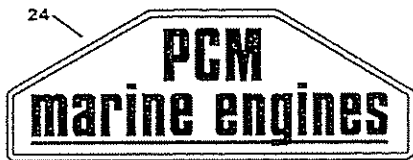
REF NO.	PART NUMBER	CODE	DESCRIPTION	QTY.	APP.	ROT.
1	R028001	F	Manifold, Exhaust {FORD}	2	5.0, 5.8	All
1	R028009	GM	Manifold, Exhaust {GM}	2	5.0, 5.7	All
1	R028010	GM	Manifold, Exhaust {GM}	2	7.4, 8.2	All
2	R029001	U	Riser, 3" Outlet {See Ref # 19 for 3 1/2" outlet}	2	5.0, 5.7, 5.8	All
2	R029004	GM	Riser, 4" Outlet	2	All 7.4	All
3	R024006A	U	Elbow, Water	2	All	All
4	RS3533	U	Plug, 3/4" Pipe {NPT}	2	All	All
4	RS3533A	U	Plug, Brass External Hex 3/4" Pipe NPT	2	All	All
5	RS0283	U	Bolt, 3" Riser Attaching 5/16" - 18 x 1 1/4"	8	5.0, 5.7, 5.8	All
5	RS0305	U	Bolt, Big Block 3 1/2" Riser Attaching 3/8" - 16 x 1 1/4"	8	7.4, 8.2	All
6	RS2179	U	Lock Washer 5/16"	8	All	All
6	RS2180	U	Lock Washer 3/8"	8	All	All
6	RS2180	U	Lock washer, Manifold Bolt 3/8"	12	All GM	All
7	RM0002	U	Gasket, Riser To Manifold	2	5.0, 5.7, 5.8	All
7	RM0099	GM	Gasket, Riser To Manifold	2	7.4, 8.2	All
8	R045006A	U	Hose, 3" ID x 3" Long	2	All	All
8	R045041	U	Hose, 3 1/2" ID {Bulk Order By The Foot And Cut To Length}	2	All	All
9	R024026	U	Elbow, Cast Iron Exhaust 45° x 3" O.D.	A/R	5.0, 5.7	All
9	R024034	U	Elbow, Cast Iron Exhaust 45° x 3.5" O.D.	A/R	5.0, 5.7	All
9	R024096	U	Elbow, Cast Iron Exhaust 45° x 4" O.D.	A/R	7.4	All
9	R024004	U	Elbow, Cast Iron Exhaust 90 Degrees x 3" O.D.	2	All	All
10	R045006	U	Hose, Bulk Riser To Flange 3" I.D.	A/R	5.0, 5.7	All
10	R045041	U	Hose, Bulk Exhaust. 3.5"	A/R	5.0, 5.7	All
10	R045040	GM	Hose, Bulk Exhaust. 4"	A/R	7.4	All
11	RS3853	U	Clamp, Exhaust Hose 3" To 3 1/2"	A/R	All	All
11	RS3857	U	Clamp, Exhaust Hose 4" To 4 1/2"	A/R	All	All
12	RM0007	F	Gasket, FORD Exhaust Manifold To Cylinder Head	2	All FORD	All
13	RS3945	F	Bolt, FORD Exhaust Manifold To Cylinder Head 3/8" 16 x 1 1/8"	16	All FORD	All
13	RS0310	U	Bolt, Manifold Attaching {3/8" - 18 x 3 1/4"}	12	5.0, 5.7	All
13	RS0313	U	Bolt, Manifold Attaching {3/8" - 18 x 2 1/2"}	12	7.4	All
14	R062003	U	Spacer, Riser Extension 2"	2	5.0, 5.7, 5.8	All
NI	RK062003	U	Kit, 2" Riser Spacer For R029001 Riser	A/R	5.0, 5.7, 5.8	All
NI	RK062003A	U	Kit, 2" Riser Spacer For R029011 Riser	A/R	5.0, 5.7, 5.8	All
14	R062032	GM	Spacer, Riser Extension 2"	2	7.4, 8.2	All
NI	RK062032	GM	Kit, 2" Riser Spacer	A/R	7.4, 8.2	All
14	R062004	U	Spacer, Riser Extension 4"	2	5.0, 5.7, 5.8	All
NI	RK062004	U	Kit, 4" Riser Spacer For R029001 Riser	A/R	5.0, 5.7, 5.8	All
NI	RK062004A	U	Kit, 4" Riser Spacer For R029011 Riser	A/R	5.0, 5.7, 5.8	All
14	R062033	GM	Spacer, Riser Extension 4"	2	7.4, 8.2	All
NI	RK062033	GM	Kit, 4" Riser Spacer	A/R	7.4, 8.2	All
15	R031001	U	Stud, 2" Riser Spacer Attaching {R029001 3" Riser ONLY}	8	5.0, 5.7, 5.8	All
15	R031027	U	Stud, Short 2" Riser Spacer Attach. {R029011 3 1/2" Riser ONLY}	4	5.0, 5.7, 5.8	All
15	R031028	U	Stud, Long 2" Riser Spacer Attach. {R029011 3 1/2" Riser ONLY}	4	5.0, 5.7, 5.8	All
15	R031007	GM	Stud, 2" Riser Spacer Attaching	8	7.4, 8.2	All
15	R031002	U	Stud, 4" Riser Spacer Attaching {R029001 3" Riser ONLY}	8	5.0, 5.7, 5.8	All
15	R031029	U	Stud, Short 4" Riser Spacer Attach. {R029011 3 1/2" Riser ONLY}	4	5.0, 5.7, 5.8	All
15	R031030	U	Stud, Long 4" Riser Spacer Attach. {R029011 3 1/2" Riser ONLY}	4	5.0, 5.7, 5.8	All
15	R031008	U	Stud, 4" Riser Spacer Attaching	8	7.4, 8.2	All
16	RS1527	U	Nut, Riser Spacer Studs 5/16" x 24	8	5.0, 5.7, 5.8	All
16	RS1528	U	Nut, Riser Spacer Studs 3/8" x 24	8	7.4, 8.2	All
17	R024063	U	Reducer, 3 1/2" O.D. To 3" O.D.	2	All	All
17	R024063	U	Reducer, Exhaust Size {3 1/2" TO 3"}	A/R	All	All
19	R029011	U	Riser, 3 1/2" Outlet	2	5.0, 5.7, 5.8	All
20	RS0387	U	Bolt, Long {5/16" - 18 x 5 1/4"}	4	5.0, 5.7, 5.8	All
21	RS0285	U	Bolt, Short {5/16" - 18 x 1 3/4"}	4	5.0, 5.7, 5.8	All
22	R069035	U	Plug, Riser Welsh	2	All	All
23	R143078	U	Decal, Yellow "PCM MARINE ENGINE" Covers Manifold Letters (Thru 1998)	2	A/R	All
23	R143078G	U	Decal, Green "PCM MARINE ENGINE" Covers Manifold Letter (Thru 1998)	2	SEA MAXX	All



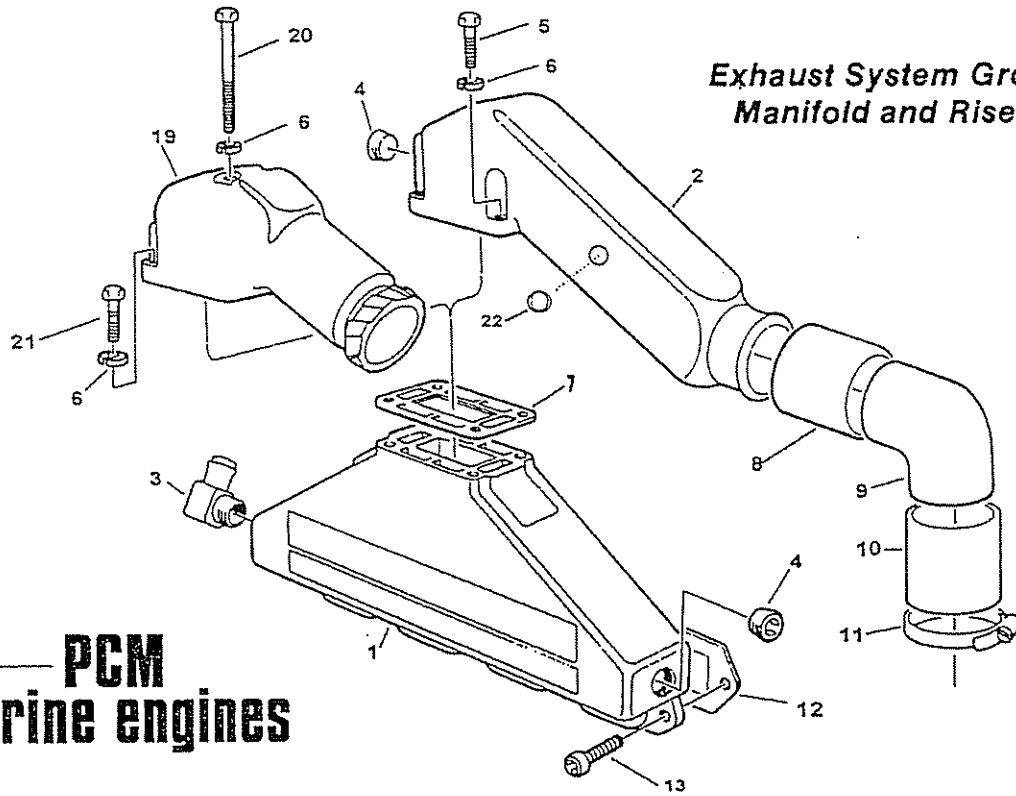
EXHAUST SYSTEM MANIFOLD, RISER AND OPTIONS GROUP

REF NO.	PART NUMBER	CODE	DESCRIPTION	QTY.	APP.	ROT.
23	R143078GLD	U	Decal, Gold "PCM MARINE ENGINE" Covers Manifold Letters (Thru 1998)	2	A/R	All
24	R143002A	U	Decal, Gold/Black "PCM MARINE ENGINE" Covers Manifold Depression (1999 On)	2	A/R	All
24	R143002B	U	Decal, Green/Black PCM MARINE ENGINE" Covers Manifold Depression (1999 On)	2	SEA MAXX	All
NI	RP173029	F	Kit, Exhaust Hardware And Gasket	1	All	All

23 — **PCM
marine engines**



**Exhaust System Group
Manifold and Risers**



Exhaust System Options

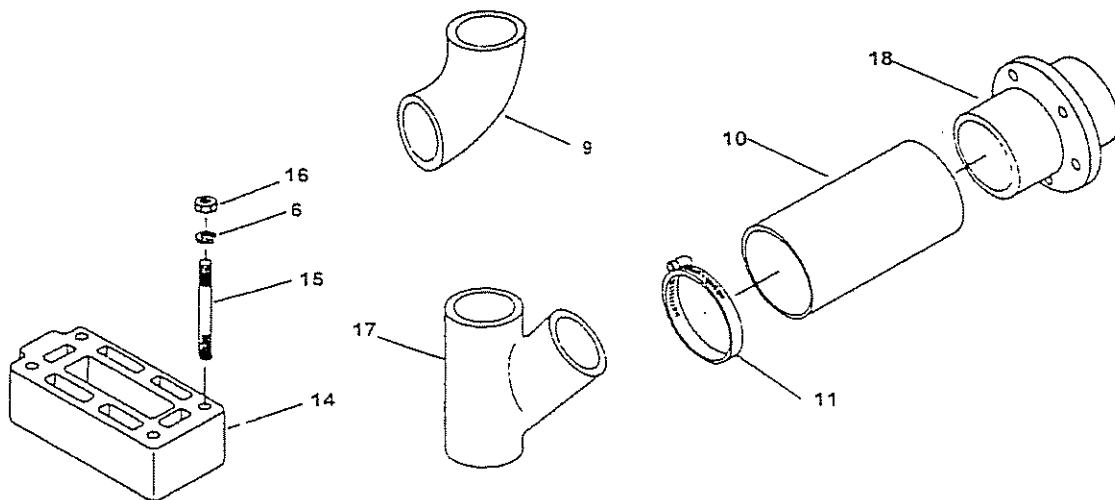


FIGURE C5

D:fdxhst

GM 5.7 AND 7.4 ENGINE OIL COOLER AND REMOTE FILTER

REF NO.	PART NUMBER	CODE	DESCRIPTION	QTY	APP	ROT
1	R079062	U	Adapter, At Remote Oil Filter Location {Includes Filter Nipple}	1	All	All
1A	R079052	U	Adapter, At Remote Oil Filter Location - High Capacity	1	All	All
2	R077001	U	Filter, Engine Oil For R079062 Adapter (Fram PHSA)	1	AR	All
NI	R077004	U	Filter, Engine Oil For R079052 Adapter	1	AR	All
3	R079063	GM	Adapter, Block Side of Remote Oil Filter System (Spin On)	1	All	All
3A	R079051	GM	Adapter, Block Side of Remote Oil Filter System (Fitting Secured)	1	All	All
4	R017073	GM	Fitting, Adapter To Block Securing	1	All	All
5	R047202	GM	"O" Ring, R017073 Fitting To Adapter Sealing	1	All	All
5A	R047203	GM	"O" Ring, R079051 Adapter To Block Sealing	1	All	All
NI	RK079027	GM	Kit, Oil Filter Adapter, Remote Mount	1	5.0/5.7	All
6	R090079	GM	Bracket, Throttle Cable Anchor. Drill For Coil Mounting	1	5.0/5.7	All
7			Number Not Used			
8	R090190	GM	Bracket, Ignition Coil & Remote Oil Filter Mounting (96 & Later)	1	5.7 SEA MAXX	All
9	R090191	GM	Bracket, Remote Oil Filter Mounting And Throttle Cable Anchor	1	7.4	All
10	R090193	GM	Bracket, Throttle Cable Anchor Bracket Repositioning	A/R	5.7, 7.4	All
11	R090194	U	Bracket, Dual Or Single Oil Cooler Mounting.	1	All	All
12	R147035	U	Cooler, Transmission And Engine Oil {Dual Function 12" Body}	1	AR	All
12	R147036	U	Cooler, Transmission & Engine Oil {Dual Function 9" Body Length}	1	GM 1 1/4"	All
12	R147037	F	Cooler, Transmission And Engine {Dual Function 9" Body Length}	1	Ford 1"	All
12	R147038	F	Cooler, Transmission And Engine {Dual Function 12" Body Length}	1	Ford 1"	All
13	R171007	U	Clamp, Dual Oil Cooler to Oil Pan Bracket Mounting.	2	All	All
13A	R171008	U	Clamp, Single Oil Cooler To Oil Pan Bracket Mounting	2	All	aLL
14	R024182	U	Fitting, 1/2" NPT Male To 1/2" Female Short Connector	2	All	All
15	R024184	U	Fitting, 90° Elbow, 1/2" NPT Male to 5/8" 45°	6	All	All
16	R024010	U	Fitting, 90° Elbow, 3/8" x 1/2" 45°	1	All	All
NI	R045106	GM	Hose, Molded Engine Oil Cooler To Sea Water Pump Inlet	1	5.7	All
NI	R045104	GM	Hose, Molded Engine Oil Cooler To Sea Water Pump Inlet	1	7.4	All
17	RA045103A	U	Hose, Assembly 24" Seat To Seat OAL			
			Block Adapter Outer to Remote Adapter	1	All	All
18	RA045103C	U	Hose, Assembly 33" Seat To Seat OAL			
			Remote Adapter to Front of Oil Cooler	1	All	All
19	RA045103D	U	Hose, Assembly 6" Seat To Seat OAL			
			Rear of Oil Cooler to Block Adapter Center.	1	All	All
20	RS0254	U	Bolt, HHCS 1/4" - 20 x 7/8" Adapter to Bracket Attaching	2	All	All
21	RS1023	U	Nut, 1/4" - 20	3	All	All
22	RS2157	U	Washer, Lock 1/4"	2	All	All
23	RS0282	U	Bolt, HHCS 5/16" - 18 x 1" Coil To Bracket.	1	All	All
NI	RS1024	U	Nut, 5/16" - 18	1	All	All
NI	RS2158	U	Washer, Lock 5/16"	2	All	All
NI	RS0304	U	Bolt, HHCS 3/8" - 16 x 1" Coil To Throttle Bracket Attaching.	2	All	All
27	RS1028	U	Nut, 3/8" - 16 Coil To Throttle Bracket Attaching.	2	All	All
28	RS2159	U	Washer, Lock 3/8" Coil To Throttle Bracket Attaching	2	All	All
29	RS0325	U	Bolt, HHCS 7/16 - 14 NC X 3/4"	3	All	All
29A	RS2160	U	Washer, Lock 7/16"	3	All	All
30	RS5122	U	Bolt, Hex Head 10 - 32 x 5/8" Cable Anchor Extension To Bracket.	2	AR	All
31	RS1521N	U	Nut, #10 - 32 With Nylock Insert Cable Anchor Extension Attaching.	2	All	All
32	RS3504A	U	Plug, 1/2" NPT Brass	2	All	All
33	RS3858	U	Clamp, 1 1/4" To 1 3/4"	2	All	All
34	RS5115	U	Screw, Self Tapping .180 Diameter x .625 Long Hex Head With Slot			
			Cooler Clamp To Bracket Attaching	2	All	All

THE ILLUSTRATION FOR REFERENCE NUMBERS ON THIS PAGE WILL BE FOUND ON FIGURE C6

ENGINE OIL COOLER AND REMOTE OIL FILTER

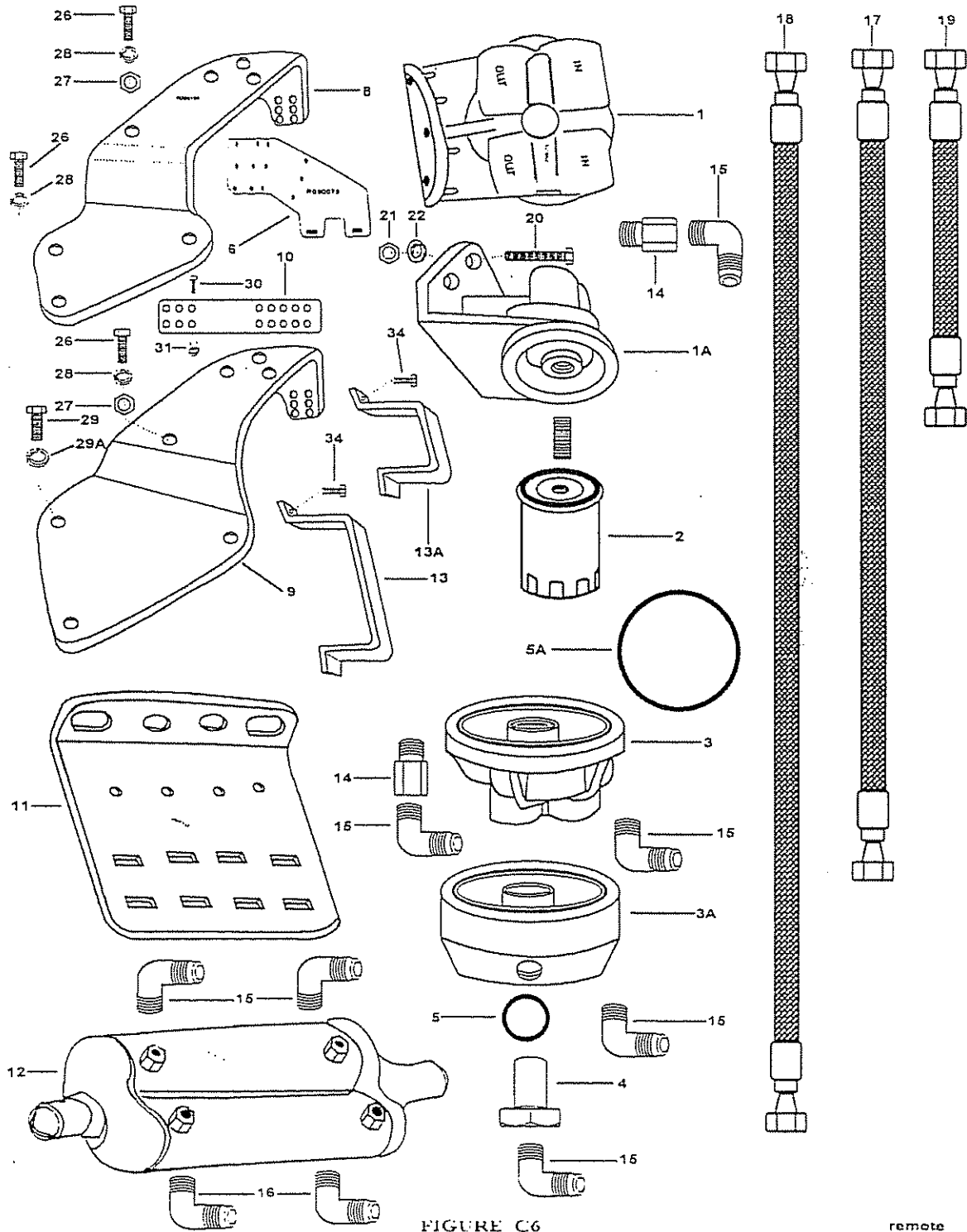


FIGURE C6

remote

TRANSMISSION OIL COOLER GROUPS

REF NO.	PART NUMBER	CODE	DESCRIPTION	QTY	APP	ROT
---------	-------------	------	-------------	-----	-----	-----

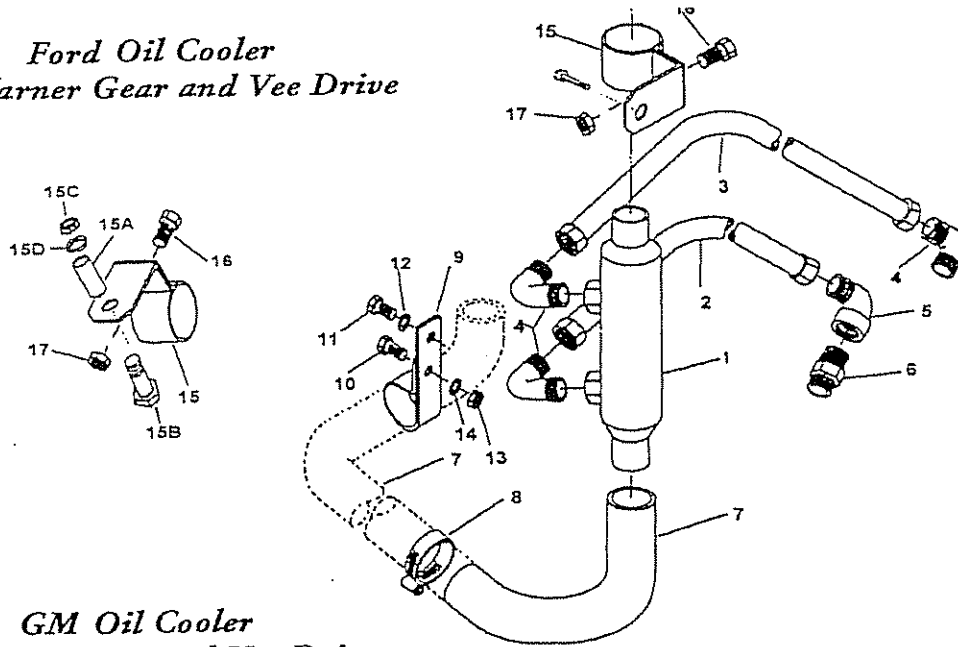
FORD TRANSMISSION AND ENGINE OIL COOLER

1	R147003	U	Cooler, Transmission Oil {5" Body Length}	1	1:1 Gear Models	All
1	R147002	U	Cooler, Transmission Oil {9" Body Length}	1	Reduction Models	All
1	R147001	U	Cooler, Transmission Oil {12" Body Length}	1	Vee Drive Models	All
2	RA045007K	U	Line, Oil Cooler To Gear {9 3/4" OAL Seat To Seat}	2	PCM Transmission	All
2	RA045007A	U	Line, Oil Cooler To Gear {13 1/2" OAL Seat To Seat}	1	All	All
3	RA045007L	U	Line, Oil Cooler To Gear {4 3/4" OAL Seat To Seat}	1	All	All
3	RA045007D	U	Line, Oil Cooler To Gear {5 1/2" OAL Seat To Seat}	1	All	All
3	RA045007F	U	Line, Oil Cooler To Gear {10 1/2" OAL Seat To Seat}	1	All	All
3	RA045007Q	U	Line, Oil Cooler To Gear {14" OAL Seat To Seat}	1	All	All
3	RA045007C	U	Line, Oil Cooler To Gear {15" OAL Seat To Seat}	1	All	All
3	RA045007M	U	Line, Oil Cooler To Gear {19 3/4" OAL Seat To Seat}	1	All	All
3	RA045007B	U	Line, Oil Cooler To Gear {21" OAL Seat To Seat}	1	All	All
3	RA045007G	U	Line, Oil Cooler To Gear {25" OAL Seat To Seat}	1	All	All
3	RA045007R	U	Line, Oil Cooler To Gear {27" OAL Seat To Seat}	1	All	All
3	RA045007P	U	Line, Oil Cooler To Gear {28" OAL Seat To Seat}	1	All	All
3	RA045007E	U	Line, Oil Cooler To Gear {30" OAL Seat To Seat}	1	All	All
3	RA045007H	U	Line, Oil Cooler To Gear {36" OAL Seat To Seat}	1	All	All
3	RA045007N	U	Line, Oil Cooler To Gear {42" OAL Seat To Seat}	1	All	All
3	RA045007J	U	Line, Oil Cooler To Gear {44" OAL Seat To Seat}	1	All	All
4	R024010	U	Elbow, Line Adaptor 90°	3	All	All
4	R024053	U	Elbow, Line Adapter 45°	1	PCM Transmissions	All
5	R024008	U	Elbow, Line Adapter 45°	3	All	All
5	R024008	U	Elbow, Line Adapter 90°	1	All	All
6	R024009	U	Fitting, Line Adapter Straight	1	All	All
7	R045004	U	Hose, Cooler To Pump	1	All	All
8	RS3851	U	Clamp, Hose Cooler To Pump 1" To 1 1/2"	2	All	All
9	R090011	F	Bracket, Hose Support	1	All	All
10	RS0280	U	Bolt, Hose Support Bracket 5/16" - 18 x 3/4"	1	All	All
11	RS0325	U	Bolt, Bracket Mounting 7/16" - 14 x 3/4"	1	All	All
12	RS2181	U	Washer, Lock Bracket Bolt 7/16"	1	All	All
13	RS1027	U	Nut, Bracket Bolt 5/16" - 18	1	All	All
14	RS2179	U	Washer, Lock Bracket Bolt 5/16"	1	All	All
15	R090010	U	Bracket, Transmission Oil Cooler Mounting	1	All	All
15	R090206	U	Bracket, 2 Piece Cooler Mounting At Front Mount Wedge Pin	1	1988 On	All
15A	R062080	F	Spacer, Cooler Bracket Mounting At Front Mount Brkt 1 5/8" OAL	1	All 1998 On	All
15B	RS0337	U	Bolt, Cooler Bracket Attaching At Front Mount 7/16" - 14 x 3 1/2"	1	All 1.23:1 1998 On	All
15B	RS0334	U	Bolt, Cooler Bracket Attaching At Front Mount 7/16" - 14 x 2 3/4"	1	All 1:1 1998 On	All
15C	RS1029	U	Nut, Cooler Bracket Attaching At Front Mount 7/16" - 14	1	All 1998 On	All
15D	RS2181	U	Washer, Lock Cooler Bracket Attaching At Front Mount 7/16"	1	All 1998 On	All
16	RS0254	U	Bolt, Transmission Oil Cooler Bracket Clamp 1/4" - 20 x 7/8"	1	All	All
17	RS1078	U	Nut, Transmission Oil Cooler Bracket Clamp 1/4" - 20 With Washer	1	All	All

GM TRANSMISSION AND ENGINE OIL COOLER

18	R090010	U	Bracket, Cooler	1	All	All
19	RS0256	U	Bolt, Hex 1/4-20 x 1	1	All	All
20	RS2178	U	Washer, Lock 1/4	1	All	All
21	RS1026	U	Nut, Hex. 1/4 - 20 Nylok	1	All	All
22	RS24010	U	Fitting, 90 Degree Brass	4	All	All
23	RA045007A	U	Line, Oil Cooler To Gear (Feed) (OAL)	1	All	All
24	RA045007B	U	Line, Oil Cooler To Gear (Return) (OAL)	1	All	All
25	R045021	U	Hose, Cooler to Water Pump (1 1/4" x 4")	1	All	All
26	RS3851	U	Clamp, Hose	2	All	All
27	R147014	U	Cooler, Transmission Oil (5" Body Length)	A/R	1:1 Gears	All
27	R147005	U	Cooler, Transmission Oil (9" Body Length)	A/R	Reduction Gears	All
27	R147006	U	Cooler, Transmission Oil (12" Body Length)	A/r	Vee Drive Gears	All

*Ford Oil Cooler
Warner Gear and Vee Drive*



*GM Oil Cooler
Warner Gear and Vee Drive*

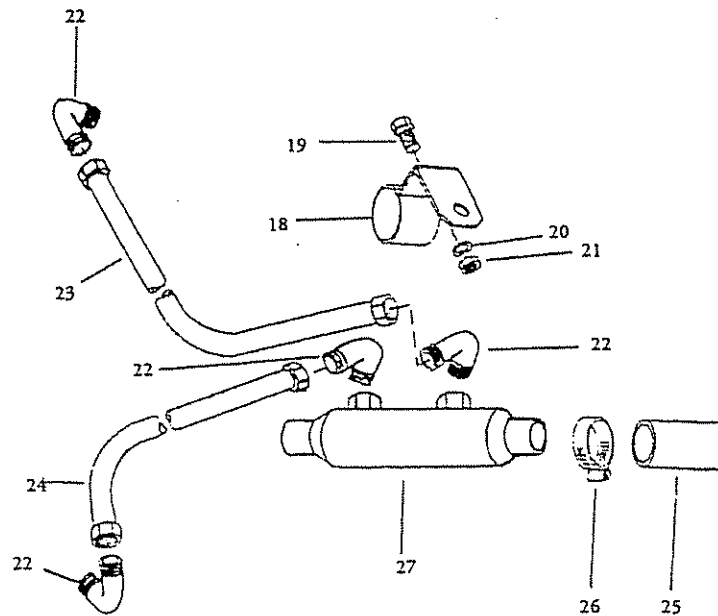


FIGURE C7

tran-cir

PCM AND SEA MAXX DECALS

REF NO.	PART NUMBER	CODE	DESCRIPTION	QTY	APP	ROT
---------	-------------	------	-------------	-----	-----	-----

APEX

R143116	GM	Decal, L1 "PCM 5.7 MPI" Black Background With Gold Letters:				
		14 3/8" x 2 1/8" Top Of Intake		1	Apex	All
R143119	GM	Decal, Light Blue "APEX" and Gold "MULTIPOINT FUEL INJECTION"				
		Black Background 12" x 3 1/4" Side Of Intake		1	Apex	All

FCC

R143112	U	Decal, Operator Servicing Instructions 6" x 4"				
				1	FCC	All
R143113	U	Decal, "P/N RA08025" (Sic) FCC Identification 4" x 1 1/2"				
				1	FCC	All
R143114	U	Decal, FCC Fuel Leakage Warning 2" x 1 1/2"				
				1	FCC	All

FLAME ARRESTOR

R143045	F	Decal, Flame Arrestor, Power Plus Pkg				
				1	5.0, 5.8	All
R143056	F	Decal, Flame Arrestor		1	5.0	All
R143057	F	Decal, Flame Arrestor		1	5.0 HO	All
R143058	GM	Decal, Flame Arrestor		1	5.7	All
R143059	GM	Decal, Flame Arrestor		1	5.7 HO	All
R143060	F	Decal, Flame Arrestor		1	5.8	All
R143061	GM	Decal, Flame Arrestor		1	7.4	All
R143062	GM	Decal, Flame Arrestor		1	7.4	All
R143063	GM	Decal, Flame Arrestor		1	7.4 HO	All
R143069	F	Decal, Flame Arrestor		1	5.8 HO	All

GM 5.7 PRO SKI

R143093	GM	Decal, "PRO SKI 5.7 EFI" 2 Color Black/Red				
				1	5.7 TBI	All
R143097	GM	Decal, L1-"5.7 HO" L2-"EFI" L3-"ELECTRONIC FUEL INJECTION SYSTEM BY PCM"				
		9 1/4" x 6 1/4"		1	5.7 TBI	All

GT40

R143084	F	Decal, "PRO BOSS" Underlined Red/Silver "GT-40" Yellow/Silver Black Background				
		With Silver Border Top Of Cover. 7 7/8" x 3 1/2"		1	GT40, Thru 1998	All
R143084A	F	Decal, "PCM 5.8 HO" Red/Gold, "MULTIPOINT FUEL INJECTION" In Silver Script,				
		Black Background with Gold Outline Top of Cover		1	GT40, 1999 On	All
R143086	F	Decal, "PCM" Red/Silver "5.8 HO," Silver/Yellow Underline Black Background No Border				
		Side Of Cover 1 3/8" x 5"		2	GT40 Thru 1998	All
R143086A	F	Decal, "PRO BOSS" Gold, "GT-40" Red. Black Background No Border				
		Side of Cover 2 1/2" x 5 1/2"		2	GT-40 1999 On	All
R143087	F	Decal, "PCM MULTIPOINT" Red/Silver, "EFI" Silver/Yellow Underline Black Background				
		With Silver Border. EEC Cover At Rear Of Engine. 4 1/2" x 5"		1	GT40	All
R143088	F	Decal, "PRO BOSS GT40" Red W/ Silver Shadow "EFI" Yellow W/ Silver Shadow On				
		Black Background Right Valve Cover 1-2" x 14"		1	GT40	All

MANIFOLD

R143078Y	U	Decal, Yellow Letters to Cover Manifold Cast In Letters				
		"PCM" "MARINE ENGINE" On Small Block Manifolds		2	All S/B	All
R143078G	U	Decal, Green Letters To Cover Cast In Letters				
		"PCM" "MARINE ENGINE" On Small Block Manifolds		2	All S/B	All
R143078GLD	GM	Decal, Gold Letters To Cover Cast In Letters				
		"PCM" "MARINE ENGINE" On Small Block Manifolds		2	APEX	All
R143002A	U	Decal, Gold Letters on Black Background "PCM MARINE				
		ENGINE" To Cover Manifold Depression, 1999 And On		2	A/R	All

PCM AND SEA MAXX DECALS

REF NO.	PART NUMBER	CODE	DESCRIPTION	QTY	APP	ROT
---------	-------------	------	-------------	-----	-----	-----

RO BOSS AND POWER PLUS

..... R143070 F	Decal, Pro Boss	5.8	All
..... R143071 U	Decal, PCM Power Plus 5" x 5"	5.8	All
..... R143073 F	Decal, PCM Pro Boss 5.8 HO 5" x 5"	5.8 HO	All

PROMOTIONAL

..... R143074 U	Decal, Performance Proven Engine		
..... R143094 U	Decal, "COMPETITION PROVEN"		
..... R143095 F	Decal, "PRO BOSS GT-40 PCM MULTI PORT EFI" In Italic "COMPETITION PROVEN PERFORMANCE EQUIPPED" In Block Letters. With Full Border		
..... R143092 F	Decal, 3" x 3" "PCM" In Red Outline On Black Above "Silver "POWER PLUS" Above 3 Silver Fins With Black Background Plus A 1/8" Silver		
..... R143096 F	Decal, "PRO BOSS GT-40 PCM MULTI PORT EFI" In Italic "COMPETITION PROVEN PERFORMANCE EQUIPPED" In Block Letters. With Full Border		
.....	All Printing In Black. 2 1/4" x 12" Same As R143096 Except for Color		
.....	Border on 4 Sides		
.....	All Printing In White. 2 1/4" x 12" Same As R143095 Except For Color		

PRO TEC AND PTI

..... R143067 U	Decal, Pro Tec Engine Cover	1	PT All
..... R143072 U	Decal, PCM Power Plus Pro Tec 5" x 5"	1	PT All
..... R143079 F	Decal, "PRO TEC INJECTION" "EFI BY PCM" On Top Of Hood	1	PTI All
..... R143080 F	Decal, "PCM 5.8 PRO BOSS" "EFI" Used On Side Of Hood	2	PTI All
..... R143082 F	Decal, Hood Retaining Nut Dress Up.	1	PTI All
..... R143085 F	Decal, "PCM PRO SKI" Red/Silver "EFI" Yellow Fins Silver Black Background	1	PTI All
..... R143089 F	Decal, "PRO SKI" Red W/ Silver Shadow "EFI" Yellow W/ Silver Shadow on a Black Background. 1 1/4" x 11 5/8"	1	PTI All
.....	With Silver Border. Top Of Cover. 8" x 8"	1	PTI All

PYTHON

..... R143002C GM	Decal, Exhaust Manifolds	2	8.2 All
..... R143123 GM	Decal, Flame Arrestor, Python	1	8.2 All
..... R143124 GM	Decal, Intake, Python	1	8.2 All

SEA MAXX

(L plus # Means Line Number)

..... R143002B U	Decal, Green Letters "SEA MAXX" "MARINE ENGINE" To Cover Manifold Depression, 1999 And On	2	All All
..... R143098 F	Decal, L1-"SEA MAXX" L2-"BY PCM" L3-"MULTI" L4-"PORT" L5-"EFI" 4 3/4" x 5 1/8"	2	All All
..... R143099 F	Decal, L1-"SEA MAXX" L2-"BY PCM" 8" x 3 5/8"	1	All All
..... R143100 F	Decal, L1-"PCM 5.8 HO" 5 1/4" X 1 3/8" Green Type	2	5.8 HO All
..... R143101 U	Decal, L1-"SEA MAXX BY PCM" 11 1/8" X 1 5/16" Green and Blue	2	All All
..... R143102 U	Decal, L1-"SEA MAXX" L2-"ELECTRONIC" L3-"FUEL INJECTION" L4-"BY PCM" 6 1/4" x 9 1/8" Blue	2	All All
..... R143103 GM	Decal, L1-"SEA MAXX" L2-"PCM 5.7 HO EFI" 8 1/8" x 8 1/8"	1	5.7 HO All
..... R143104 F	Decal, L1-"SEA MAXX" L2-"PCM 5.8" 8 1/8" x 8 1/8"	1	5.8 All

PCM AND SEA MAXX DECALS

REF NO.	PART NUMBER	CODE	DESCRIPTION	QTY	APP	ROT
...	R143105	GM	Decal, L1- "SEA MAXX" L2-"PCM 7.4 HO EFI" 8 1/8" x 8 1/8"	1	7.4 HO EFI	All
...	R 143109		Decal, "SEA MAXX" Green "BY PCM" Blue 7 1/4" x 1 3/8"	1	All	All
...	R143110	GM	Decal, L1 "SEA MAXX" Green L2 "PCM 5.7 HO EFI" Blue 8 3/16" x 3 5/8"	1	5.7 HO	All
...	R143117	GM	Decal, L1 Green "SEA MAXX" And Light Blue "5.7 MPI" Black Background (APEX Style)	1	5.7 MPI	All
...	R143118	U	Decal, Light Blue and Green Inverted Fin Plus Green "SEA MAXX" Plus Gold "MULITPORT FUEL INJECTION" Black Background 12" x 3 1/4" (APEX Style)	2	MPI	All

SPECIFICATION

...	R143068	U	Decal, Spec for Pro Tec Engine	1	PRO TEC	All
...	R143076	U	Decal, Specification Carburetor Equipped Standard Engines	1	Std Eng	All
...	R143081	U	Decal, Specifications On Hood.	1	PTI	All
...	R143083	F	Decal, Engine Specification	1	GT40	All
...	R143091	F	Decal, Specification "PRO SKI" Std 351 Engine	1	5.8 TBI	All
...	R143120	GM	Decal, Engine Specification All GM EFI Engines	1	All GM EFI	All

VALVE COVER

...	R143047	F	Decal, Valve Cover		5.0	All
...	R143048	F	Decal, Valve Cover		5.0 HO	All
...	R143049	F	Decal, Valve Cover		5.8	All
...	R143050	GM	Decal, Valve Cover		7.4	All
...	R143051	GM	Decal, Valve Cover		7.4 HO	All

WARNING AND MISCELLANEOUS

...	R143042	U	Decal, Rotation Arrow	1	All	All
...	R143077	U	Decal, Indicates Batt Ground Cable Location with the Word "Ground" above an Arrow	1	All	All
...	R143090	U	Decal, "Warning! Do Not Attempt to Start or Operate Engine with Flame Arrestor Removed" ; Yellow with Black Print	1	All	All
...	R143106	T	Decal, PCM Multi Engine Tester RTK0080 Carrying Case Identification			
...	R143107	T	Decal, PCM Multi Engine Tester RTK0080 Monitor Window Identification			
...	R143108	T	Decal, PCM Multi Engine Tester RTK0080 Monitor Cartridge Identification			

BLANK PAGE

FORD AND GM ALTERNATOR GROUP

REF NO.	PART NUMBER	CODE	DESCRIPTION	QTY	APP	ROT
1	RA097002*	U	Alternator {Prestolite 37 Amp NLA}	See Note 1*	To 1983	All
1	RA097003*	U	Alternator {Motorola 37 Amp NLA}	See Note 1*	1983 to 1986	All
1A	RA097006	F	Alternator {Motorola Or Mando 50 Amp}	1	Ford 1987 on	All
1A	RA097006A	GM	Alternator {Motorola Or Mando 50 Amp}	1	GM 1987 On	All
2	R098003	U	Regulator, Voltage {Motorola Alternator P/N 8 MR 2051 F}	1	All	All
2	R098003	U	Regulator, Voltage {Motorola Alternator P/N 8 MR 2049 K}	1	All	All
2	R098004	U	Regulator, Voltage {Motorola Alternator P/N 8 EM 2010 KA}	1	All	All
3	R065004	F	Pulley, Presolite	1	All	All
3	R065023	F	Pulley, Motorola	1	See Note 2*	All
3	R065024	F	Pulley, Motorola	1	See Note 2*	All
3A	R065038	F	Pulley, Mando, 3/8" Belt	1	All Ford	All
3A	R065038A	C	Pulley, Mando, 1/2" Belt	1	All GM	All
4A	R017078	U	Nut, Mando Pulley Attaching	1	All	All
5A	R096139	U	Washer, Spring Lock Mando Pulley Nut	1	All	All
6	R061004	U	Fan, Alternator Cooling Prestolite	1	All	All
6A	R061021	U	Fan, Alternator Cooling Mando	1	All	All
7A	R062077	C	Spacer, Pulley To Fan Mando R065038 Pulley	1	All Ford	All
7A	R062079	C	Spacer, Pulley To Fan Mando R065038A Pulley	1	All GM	All
8	RS0337	U	Bolt, Mounting Prestolite 7/16"-14 x 3 1/2"	1	All	All
8	RS0315	U	Bolt, Mounting Motorola And Mando 3/8"-16 x 3 3/4"	1	All	All
9	RS2181	U	Washer, Lock Prestolite 7/16"	1	All	All
9	RS2180	U	Washer, Lock Motorola And Mando 3/8"	1	All	All
10	RS1029	U	Nut, Prestolite 7/16"-14	1	All	All
10	RS1028	U	Nut, Motorola And Mando 3/8"-16	1	All	All
11	RS2674	U	Washer, Flat Adjusting Strap 5/16"	1	All	All
12	RS2179	U	Washer, Lock Adjusting Strap 5/16"	1	All	All
13	RS0281	U	Bolt, Adjusting Strap 5/16"-18 x 7/8"	1	All	All
24	R034042	U	Cap, Terminal Protecting Mando	1	All	All

*NOTE 1: Replace with RA097006 and 50 Amp Breaker P/N R153006B. Kit RK173069 {LH} or RK173070 {RH} may be necessary.

*NOTE 2: All Ford and GM 7.4/8.2 Models {1999 On} use 3/8" belt pulley and all GM {1998 and earlier} use the 1/2" belt pulley. Also, GM small block engines after S/N 405128 uses the 3/8" belt pulley.

FORD BRACKETS AND FASTENERS

14	RS0297	U	Bolt, Bracket Mounting 5/16"-18 x 5"	2	All	All
15	RS2179	U	Washer, Lock Mounting Bolt 5/16"	2	All	All
16	R090055	F	Bracket, {RA097002 Prestolite L.H.}	1	All	LH
16	RK173069	F	Kit, Bracket Conversion RA097002 Prestolite To Motorola {LH}	1	All	LH
16	R090055A	F	Bracket, {RA097002 Prestolite R.H.}	1	All	RH
16	RK173070	F	Kit, Bracket Conversion RA097002 Prestolite To Motorola {RH}	1	All	RH
16	R090055B	F	Bracket, {Motorola/Prestolite And Mando L.H.}	1	All	LH
16	R090055C	F	Bracket, {Motorola/Prestolite And Mando R.H.}	1	All	RH
17	R099007	F	Strap, Adjusting	1	All	All

FORD & GM ALTERNATOR

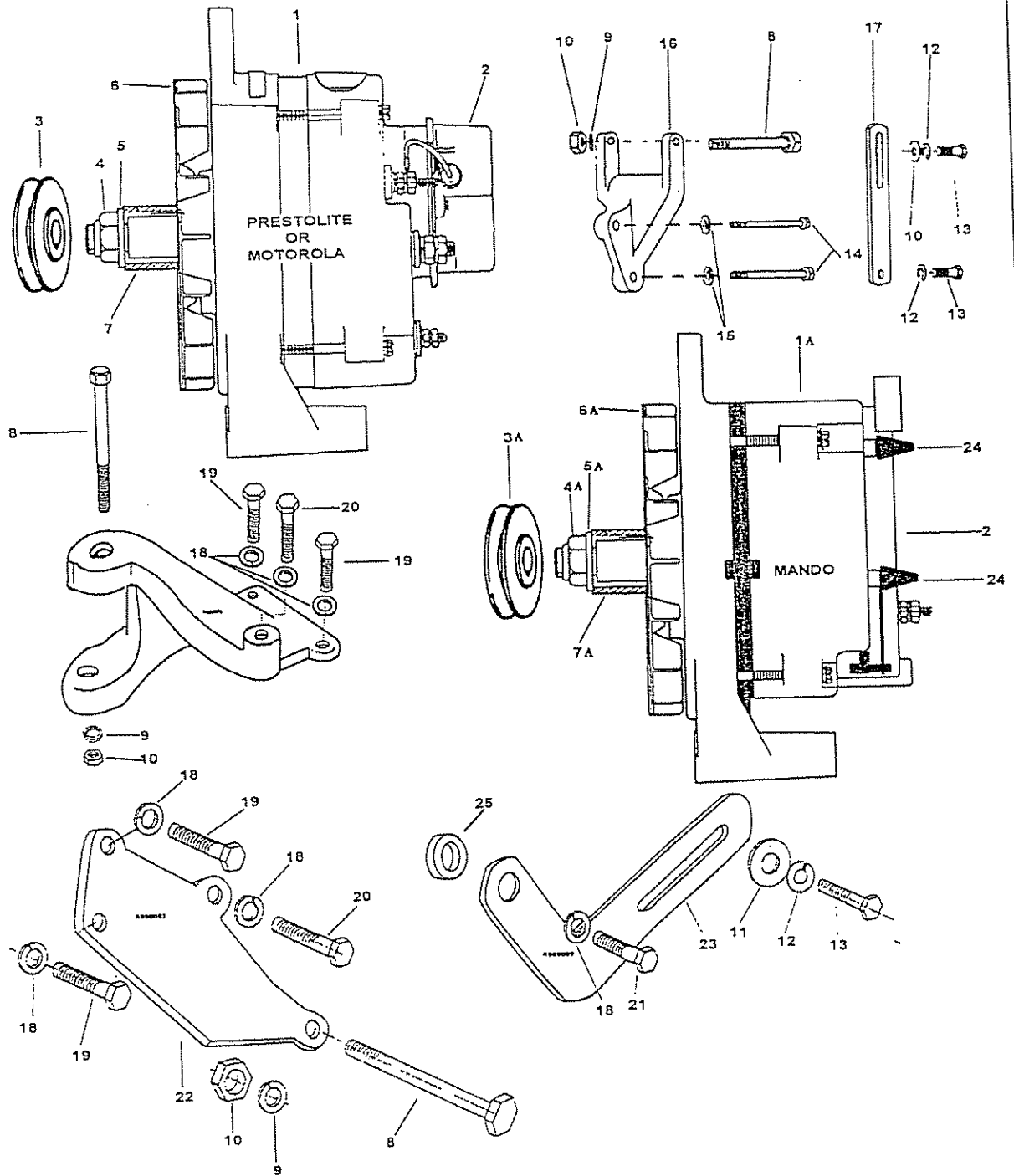


FIGURE E1

D:alt

FORD AND GM ALTERNATOR GROUP

REF NO.	PART NUMBER	CODE	DESCRIPTION	QTY	APP	ROT
---------	-------------	------	-------------	-----	-----	-----

GM BRACKETS AND FASTENERS

18	RS2180	U	Washer, Lock Alternator Bracket Attaching Bolt 3/8"	3	5.0, 5.7	All
18	RS2181	U	Washer, Lock Alternator Bracket Attaching Bolt 7/16"	3	7.4	All
19	RS0304	U	Bolt, Alternator Bracket Attaching 3/8" - 16 x 1"	2	5.0, 5.7	All
19	RS0308	U	Bolt, Alternator Bracket Attaching 3/8" - 16 x 2"	2	7.4	All
20	RS0306	U	Bolt, Alternator Bracket Attaching 3/8" - 16 x 1 1/2"	1	5.0, 5.7	All
20	RS0328	U	Bolt, Alternator Bracket Attaching 7/16" - 14 x 1 1/4"	1	7.4	All
21	RS0302	U	Bolt, Adjusting Strap Anchor 3/8" - 16 x 3/4"	1	5.0, 5.7	All
21	RS0328	U	Bolt, Adjusting Strap Anchor 7/16" - 14 x 1 1/4"	1	7.4	All
22	R090075	GM	Bracket, Alternator Mounting	1	5.0, 5.7	All
22A	R090087	GM	Bracket, Alternator Mounting	1	7.4	All
23	R099009	GM	Strap, Alternator Adjusting	1	All GM	All
23	R099014	GM	Strap, Alternator Adjusting	1	Python Only*	All
24	R062037	GM	Spacer, Adjusting Strap {7/16" x 1/4"}	1	7.4	All

*NOTE: Used on Python engines after 8/99

FORD & GM ALTERNATOR

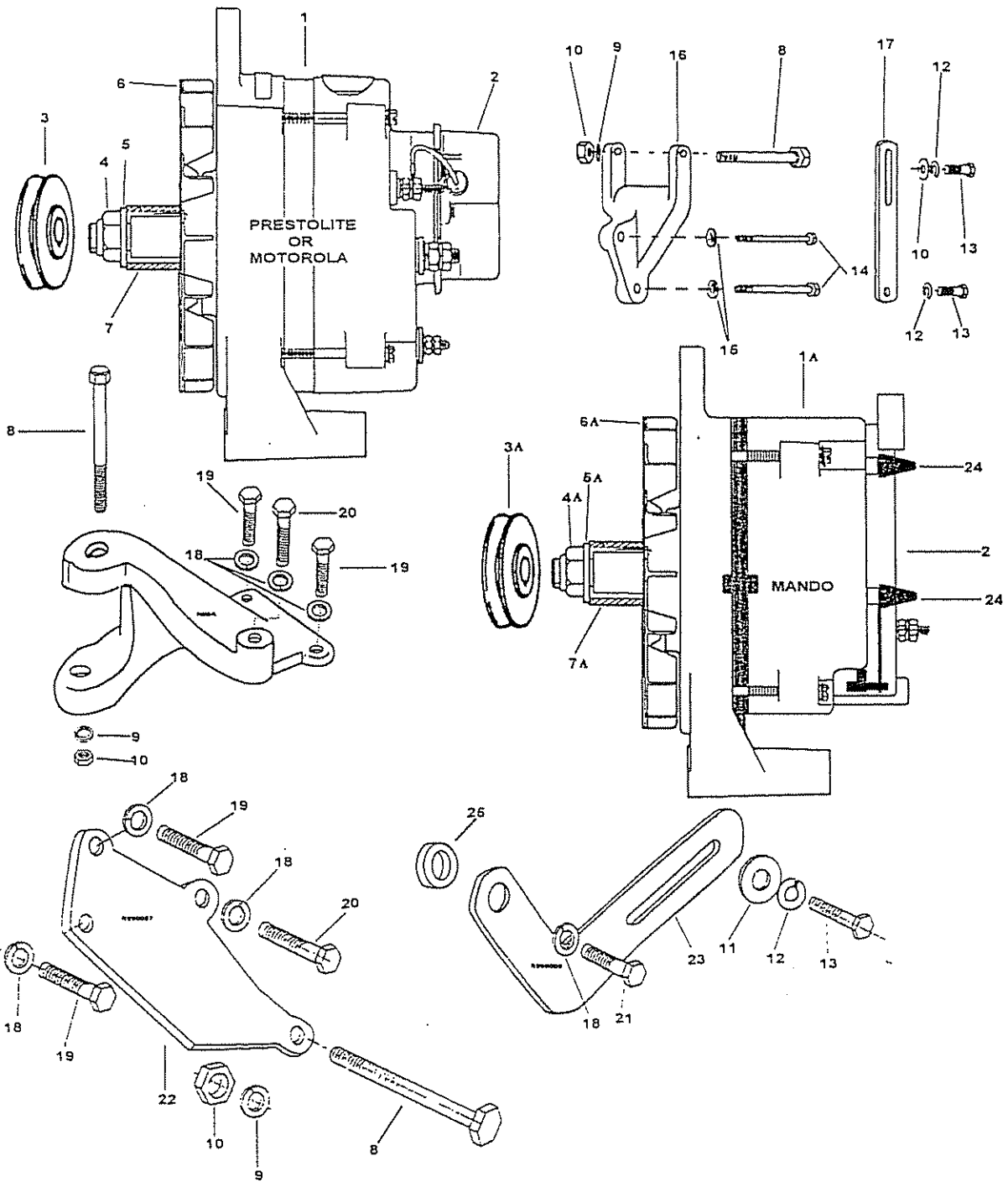


FIGURE E1

D:alt

FORD GT40 WIRING HARNESS AND ASSOCIATED COMPONENTS

REF NO.	PART NUMBER	CODE	DESCRIPTION	QTY	APP	ROT
1	RA121052	F	Harness, Ford Main Wiring GT40 EEC	1	GT40	All
1	R121052A	F	Harness, Ford Main Wiring With 50 Amp Barrel Type Fuse	1	GT40	All
NI	R119003	F	Resistor, 22K Ohms Tachometer Signal Circuit Of RA121052	1	GT40	All
NI	R153016	F	Fuse, 50 Amp Barrel Type	1	GT40	All
2	R121047A	F	Harness, Fused (40 Amp) Constant Pwr Feed (Battery Connection)	1	See NOTE 1	All
NI	R153015	U	Fuse, 40 Amp Blade Type	1	AR	All
63	R127056	U	Clamp, Main Wire Harness	1	GT40	All
66	R090169	F	Bracket, ECA And Electrical Components	1	GT40	All
66A	R090173	F	Bracket, ECA Low Profile (Fresh Water Cooling)	1	GT40	All
67	R153007	U	Breaker, Circuit 12.5 Amp	1	GT40	All
67	R153006C	U	Breaker, Circuit 60 Amp	1	GT40	All
67	R153014	U	Breaker, Circuit 15 Amp	1	GT40	All
69	R127067	U	Wire Tie, 1/4" X 18"	1	GT40	All
71	R060053	F	Cover, EEC Test Connector	1	GT40	All
72	R060052	F	Cover And Seal, EEC Module	1	GT40	All
74	R104006	F	Jumper, Spout Connector	2	GT40	All
75	R121049	F	Lead, Power Relay To 60 Amp Breaker	1	GT40	All
78	R116009	F	Module, EEC (Bodensee Qualified For Europe)	1	GT40	All
78	R116009A	F	Module, EEC	1	GT40 All US	All
79	RS1046	U	Nut, Solenoid Terminal 5/16" X 18 Brass	2	GT40	All
80	RS1039	U	Nut, Relay Terminal Brass # 8 X 32	1	GT40	All
80A	RS1540	U	Nut, Brass # 10 X 24 Relay Terminal	1	GT40	All
81	R130011	F	Relay, EEC Sealed with Bracket	1	GT40	All
81	R130011	F	Relay, Fuel Pumps	1	GT40	All
83	RS5113	U	Bolt, Starter Relay to Bracket 1/4" 20 x 1/2"	1	GT40	All
83	RS0254	U	Bolt, Starter Relay to Bracket 1/4" 20 x 7/8"	1	GT40	All
84	RS1078	U	Nut, With Lock Washer Relay Attaching 1/4"-20	2	GT40	All
85	RS5115	U	Screw, EEC Cover Attaching Self Tapping # 10-24 x 3/4"	4	GT40	All
88	RS5084	U	Screw, Circuit Breaker Attaching # 8-32 x 3/4"	6	GT40	All
89	R130001	U	Relay, Starter Activating	1	GT40	All
90	RA121048	F	Harness, Engine PCM Multi Port	1	GT40	All
92	RS1020	U	Nut, #8 x 32, Circuit Breaker Attaching	2	GT40	All
93	RS2200	U	Washer, Spring Lock Brass 5/16"	2	GT40	All
94	RS2175	U	Washer, #8, Circuit Breaker Attaching	2	GT40	All
95	RS2193	U	Washer, Lock Brass #8 Relay Terminal	1	GT40	All
95A	RS2179	U	Washer, Lock Brass # 10 Relay Terminal	1	GT40	All
97	R127038A	F	Retainer, Knock Module Assembly	1	GT40	All
98	R116010	F	Module, Knock Sensor Control	1	GT40	All
99	R127066	F	Clip, Mounting Self Test Cover	2	GT40	All
NI	L190146	F	Manual, GT40 Fuel Injection Service	AR	GT40	All
NI	L190147	F	Manual, GT40 Fuel Injection Parts	AR	GT40	All

*NOTE 1 - This part is used to replace the Keep Alive harness with the 50 Amp Barrel Style Fuse.

FORD GT-40 WIRING HARNESS & COMPONENTS

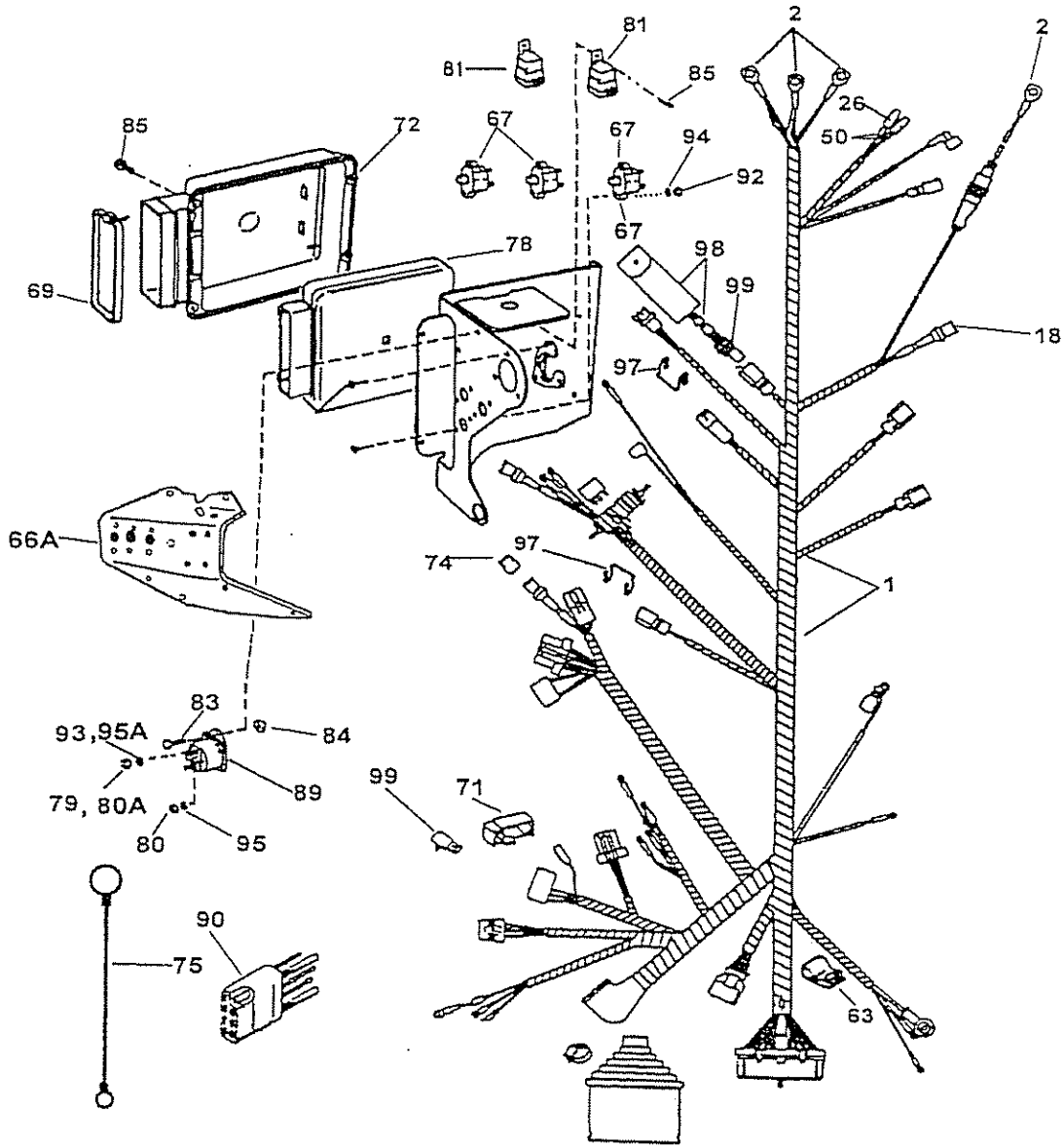


FIGURE E2

D:gtwire

GM ELECTRIC COMPONENTS

REF NO.	PART NUMBER	CODE	DESCRIPTION	QTY	APP	ROT
1	RI21026H	GM	Harness, Engine Wiring {With Carburetors And Top Starter}	1	5.0, 5.7 And 7.4	All
1	RI21026I	GM	Harness, Engine Wiring {With Carburetors And Bottom Starter}	1	5.0, 5.7 And 7.4	All
1	RA121063	GM	Harness, Engine Wiring {All TBI, 7.4 MPI With Top Starter}	1	5.7, 7.4 EFI	All
1	RA121063A	GM	Harness, Engine Wiring {TBI With Bottom Starter}	1	5.7 EFI	All
1	RA121067	GM	Harness, Engine Wiring {With Top Starter}	1	5.7 MPI	All
1	RI21026G	GM	Harness Engine With Carburetor Electric Fuel Pump Top Mount Starter and Delco Distributor	1	5.7 And 7.4	All
2	R121046	GM	Harness, Ignition Coil To Delco Distributor	1	All	All
3	R121047A	F	Harness, Fused (40 Amp) Constant Pwr Feed (Battery Connection)	1	AR	All
4	R153015	U	Fuse, 40 Amp Blade Type	1	AR	All
5	RA121069	U	Harness, Ground Bonding For Dual Ground Studs	1	AR	All
6	R127039	U	Clip, Harness Retaining	1	All	All
7	R129004	U	Boot, Terminal Protecting	6	All	All
8	R129005	U	Boot, Terminal Protecting	1	All	All
9	RA122008	GM	Starter, Top Mount 14" Flywheel, Reverse (RH) Rotation	1	GM	RH
9	RA122009	GM	Starter, Top Mount 14" Flywheel, Standard {LH Rotation}	1	GM	LH
10	RS0328	U	Bolt, Top Mounting Starter Attaching 7/16" - 14 x 1 1/4"	2	All	All
11	RA122015	GM	Starter, Bottom Mount Standard {LH Rotation} 14" Flywheel	1	GM	LH
11	RA122016	GM	Starter, Bottom Mount Standard {LH Rotation} 12 3/4" Flywheel	1	GM	LH
12	R009167	GM	Bolt, Bottom Mounting Starter Attaching	2	All	All
13	RS2181	U	Washer, Lock Starter Bolt 7/16"	3	All	All
NI	RS2736	U	Washer, Brass Flat 3/8"	1	All	All
15	RS1047	U	Nut, Starter Cable Brass 3/8" - 16	1	AR	All
15	RS7019	U	Nut, Starter Cable Brass M10 x 1.5 Bronze	1	AR	All
16	RS2180	U	Washer, Lock 3/8"	1	All	All
17	RK107039P	GM	Kit, Breakerless Distributor Prestolite (Before 1993)	AR	All GM V8	All
18	RS7036	U	Nut, Solenoid Terminal M5 x 0.8	1	AR	All
18	RS1020	U	Nut, Solenoid Terminal #8 - 32	1	AR	All
19	RS2175	U	Washer, Lock Solenoid Terminal #8	1	All	All
20	RA107018	GM	Distributor Assembly, Complete Prestolite	1	All GM V8	All
20	RA107039P	GM	Distributor Assembly, Breakerless Prestolite (1993 - 1995)	1	All GM V8	All
20A	RA107039D	GM	Distributor, Assembly Complete, Breakerless {See Note *} Delco	1	GM 5.0/5.7/7.4	All
20A	RK107039D	GM	Kit, Breakerless Distributor (See Note #) Delco	AR	GM 5.0/5.7/7.4	All
20A	RA107041	GM	Distributor, Assembly Complete Breakerless Delco	1	GM 3.0	All
21	R114002	U	Points, Ignition Prestolite Distributor	1	All Prestolite	All
21	R114001	U	Points, Ignition Mallory Distributor (Thru 1987)	1	All Mallory	All
21	R114004	U	Points, Ignition Mallory Distributor (1988 On)	1	All Mallory	All
22	R115002	U	Condenser, Prestolite Distributor	1	All Prestolite	All
22	R115001	U	Condenser, Mallory Distributor	1	All Mallory	All
23	R103002	U	Rotor, Prestolite 7011 Distributor	1	All 7011	All
23	R103004	U	Rotor, Prestolite 7013 Distributor	1	All 7013	All
23	R103001	U	Rotor, Mallory Distributor	1	All Mallory	All
24	RA108002	U	Cap, Prestolite 7011 Distributor	1	All 7011	All
24	RA108003	U	Cap, Prestolite 7013 Distributor	1	All 7013	All
24	RA108001	U	Cap, Mallory Distributor	1	All Mallory	All
NI	RP173024	U	Tune Up Kit {Prestolite 7011 Distributor, Skin Pack} (Items 21 -24)	1	All 7011	All
NI	RP173024A	U	Tune Up Kit {Prestolite 7013 Distributor, Skin Pack} (Items 21 -24)	1	All 7013	All
NI	RP173025	U	Tune Up Kit {Mallory Distributor Skin Pack} (Items 21 -24)	1	All Mallory	All
NI	RK046024	U	Kit, Prestolite Distributor Advance Spring (See Note #)	1	All	All
NI	RK127008	U	Kit, Mallory Distributor Clip (See Note #)	1	All	All
25	RM0118	U	Gasket, Prestolite 7011 Distributor Cap	1	All 7011	All
25	RM0049	U	Gasket, Mallory Distributor Cap	1	All Mallory	All
26	RA101008	U	Lead, Primary Prestolite Distributors	1	All AR	All
27	RM0123	GM	Gasket, Distributor Base	1	All GM	All
28	RA120003	GM	Wire, Ignition Coil	1	All GM	All
29	RK120011	GM	Set, Ignition Wire	1	All GM	All
30	R116914	GM	Module, Ignition Control In Delco Distributor	1	5.7	All
30	R116015	GM	Module, Ignition Control In Delco Distributor	1	7.4	All
NI	RA104009	GM	Connector, Delco Electronic Distributor Blank With 3 Plugs, 1 Terminal And Wire For Stern Drive Interrupter Circuit	1	All GM	All

THE ILLUSTRATION FOR REFERENCE NUMBERS ON THIS PAGE WILL BE FOUND ON FIGURE E3

GM ELECTRICAL COMPONENTS

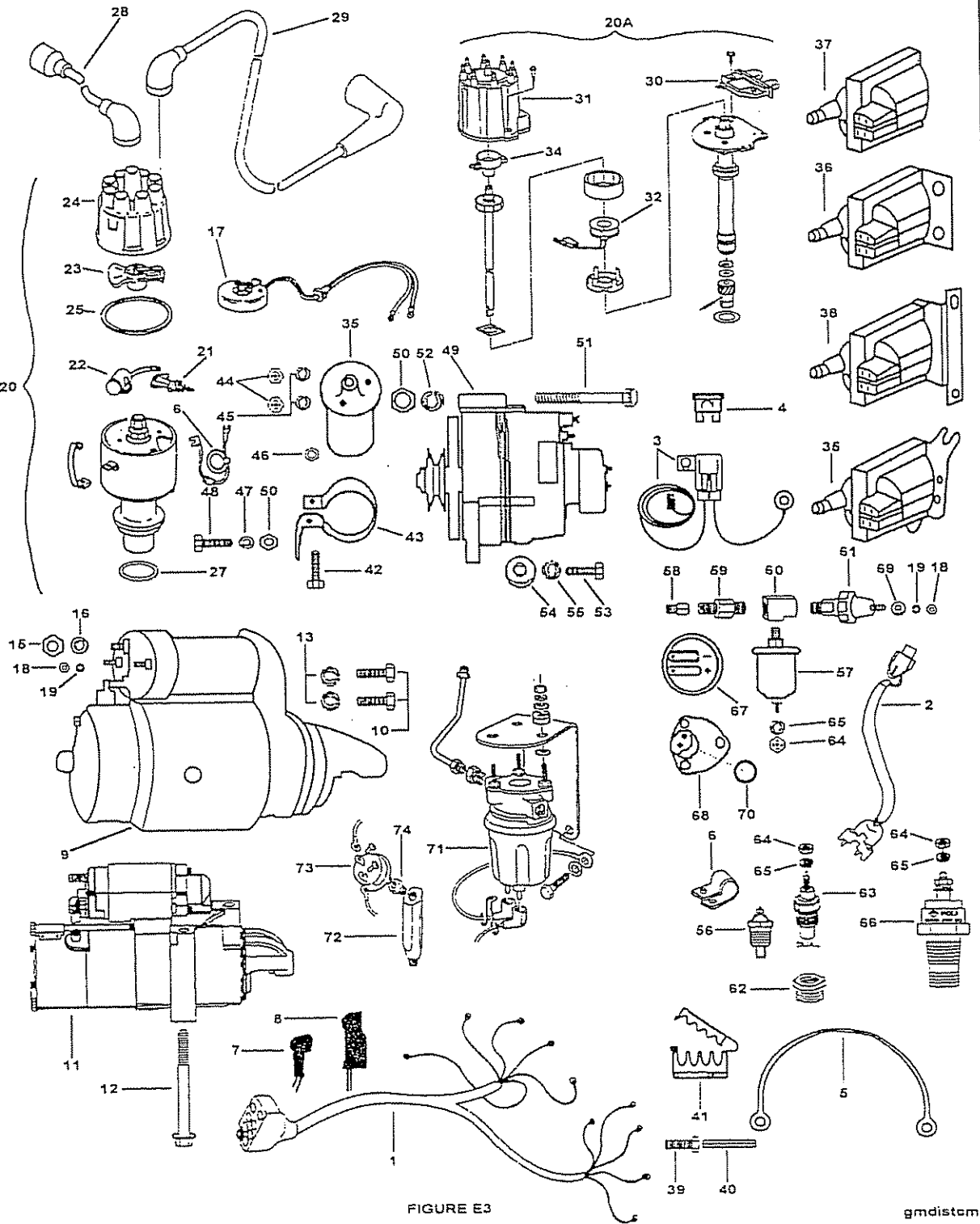


FIGURE E3

gmdistcm

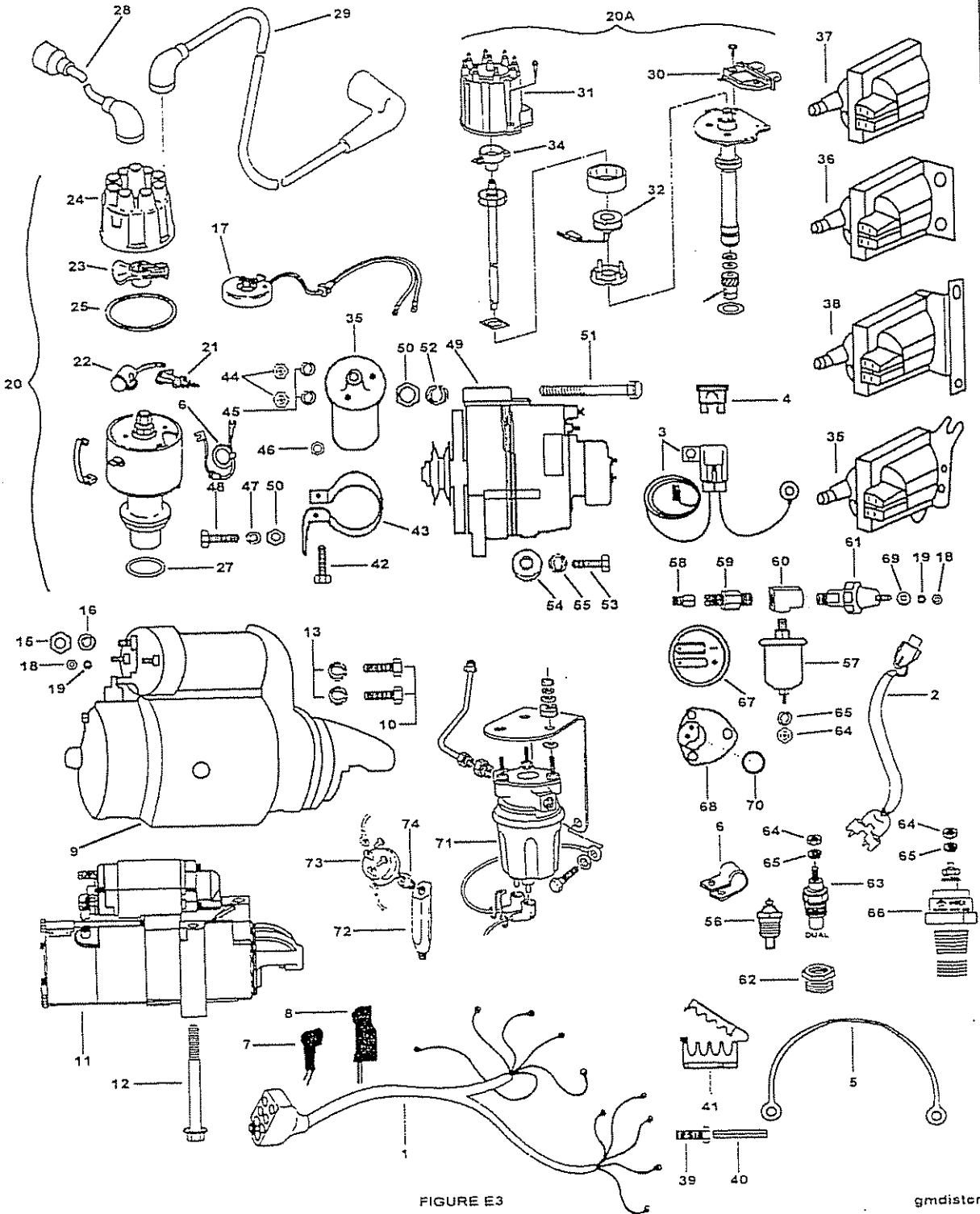
GM ELECTRIC COMPONENTS

REF NO.	PART NUMBER	CODE	DESCRIPTION	QTY	APP	ROT
NI	R104008	GM	Connector, Delco Electronic Distributor Blank With 4 Plugs	1	All GM	All
31	RA108006	GM	Cap, Distributor	1	GM 5.0/5.7/7.4	All
31	R108008	GM	Cap, Distributor	1	GM 3.0	All
32	R105003	GM	Coil, Distributor Pickup	1	GM 3.0	All
33	R123002	GM	Pole Piece, GM Distributor	1	GM 3.0	All
34	R103008	GM	Rotor, Distributor (1994 On)	1	GM 5.0/5.7/7.4	All
34	R103010	GM	Rotor, Distributor (1997 On)	1	GM 3.0	All
35	R117002	GM	Coil, Ignition Prestolite	1	GM 5.0/5.7/7.4	All
35	R117005	GM	Coil, Delco Ignition Flat Base Bracket 3 1/2" Bolt Mount Pattern	1	A/R	All
36	R117007	GM	Coil, Delco Ignition 90° Base Bracket 4 1/4" Bolt Mount Pattern	1	A/R	All
37	R117009	GM	Coil, Delco Ignition Loose Bracket	1	GM 3.0	All
38	R117010	GM	Coil, Delco Ignition 90° Base	1	7.4, 1998 On	All
39	R009174	GM	Bolt, Special 3/8" - 16 x 3/4" Mount For Plug Wire Retainer	2	5.7	All
39	R009175	GM	Bolt, Special 7/16" - 14 x 3/4" Mount For Plug Wire Retainer	2	7.4	All
40	R082062	GM	Pin, Stainless Spring .200" x 1.5" Used With R009174 Or R009175	2	All	All
41	R127090	GM	Retainer, Plug Wire Retainer Mounted On R009174 Or R009175	2	All	All
42	RS0256	U	Bolt, Coil Bracket 1/4" - 20 x 1"	1	All	All
43	R090010	GM	Bracket, Coil Mount	1	All GM	All
44	RS1540	U	Nut, Coil Stud #10 - 32 Bronze	2	All	All
45	RS2197	U	Washer, Lock Coil Stud #10 Bronze	2	All	All
46	RS2058	U	Nut, Two Way Lock Coil Bracket 1/4" - 20	1	All	All
47	RS2180	U	Washer, Lock 3/8"	1	All	All
48	RS0304	U	Bolt, Bracket Mount 3/8" - 16 x 1"	1	All	All
49	RA097006	U	Alternator, Assembly 51 Amp {Not As Pictured}	1	All	All
50	RS1028	U	Nut, Alternator Pivot Bolt 3/8" - 16	1	All	All
51	RS0315	U	Bolt, Alternator Pivot 3/8" - 16 x 3 3/4"	1	All	All
NI	RS2736	U	Washer, Brass Flat 3/8"	1	All	All
53	RS0281	U	Bolt, Alternator Adjusting Lock 5/16" - 18 x 7/8"	1	All	All
54	RS2674	U	Washer, Flat Alternator Lock Bolt 5/16"	1	All	All
55	RS2179	U	Washer, Lock Alternator Lock Bolt 5/16"	1	All	All
56	R020003	U	Sending Unit, Temperature 1/2" NPT	1	All	All
56	R020002	U	Sending Unit, Temperature 3/8" NPT	1	All	All
57	R020001	U	Sending Unit, Oil Pressure	1	All	All
58	R024059	U	Fitting, Straight Oil Sender Adapter 1/8" F NPT x 1/8" M NPT	1	All	All
59	R024019	U	Nipple, Hex, 1/8" NPT	1	All	All
60	R024145	U	Fitting, Tee Street	1	All	All
61	R020015	U	Switch, Oil Pressure	1	All	All
62	RS3681	U	Bushing, Brass NPT, 1/2" x 3/8"	1	All	All
63	R020005	U	Sending Unit, Water Temperature Dual Station, 3/8" NPT	1	All	All
64	RS1540	U	Nut, Hex Head, Brass, #10 - 32	1	All	All
65	RS2197	U	Washer, Lock Brass # 10	1	All	All
66	R020014A	GM	Sensor, Temperature	1	All	All
67	RN0067	U	Cover, Electric Choke Resistance Type	1	All	All
67	RN0135	U	Cover, Electric Choke Solid State	1	All	All
68	R153002	U	Switch, Neutral Safety With Plate	1	All	All
68	R153011	U	Switch, Neutral Safety Without Plate	1	All	All
69	RS2716	U	Washer, Flat # 8 Plated	AR	AR	All
70	R047166	U	"O" Ring, Neutral Safety Switch Sealing	1	All	All
71	RA080018	U	Pump, Fuel Assembly, Electric {See Page F2-1 For Details}	1	All	All
72	R020004	U	Adapter, Pressure Sender	1	7.4	All
73	R153005	U	Sender, Oil Pressure	1	All	All
74	RS3681	U	Bushing, Adapter 1/2" Male NPT To 3/8"	1	All	All

NOTE * See Page E5-1 for Pro Tec Ignition components

NOTE # See Kit Section (Section K) for kit contents

GM ELECTRICAL COMPONENTS



FORD ELECTRICAL, COIL AND CONVENTIONAL DISTRIBUTOR

REF NO.	PART NUMBER	CODE	DESCRIPTION	QTY	APP	ROT
1	RI17001	F	Coil. Breaker Point Ignition (Used with breakerless distributor without inserting a resistor in system)	1	All	All
1A	RS1540	U	Nut, Brass Coil Terminal # 10-32	2	All	All
1B	RS2197	U	Washer, Silicon Bronze Coil Terminal # 10 Spring Lock	2	All	All
2	R099004	F	Bracket, Coil Mounting	1	All	All
2A	R009173	F	Bolt, Hex Washer Head # 8-32 x 1 1/4"	1	All	All
2B	RS1020	U	Nut, Plated # 8-32	1	All	All
2C	RS2196	U	Washer, Lock # 8	1	All	All
3	RA121008/9	F	Kit, Conventional Distributor Plug Wire { *See Note }	1	All	All
3A	RA12003	U	Wire, Coil To Distributor	1	All	All
4	RP173024	F	Kit, Tune Up Prestolite: Clip Down { See Kit Section For Contents }	1	1986 And Prior	All
4	RP173024A	F,C	Kit, Tune Up Prestolite: Bolt Down { See Kit Section For Contents }	1	1987 On	All
5	RM0118	F,C	Gasket, Distributor Cap	1	All	All
6	RA101008	F	Wire, Lead Coil To Distributor	1	All	All
7	RK127031	F	Kit, Distributor Cap Hold Down Clip	1	Clip On Cap	All
8	R047122	F	"0" Ring, Distributor To Block	1	All	All
9	RA107012A	F	Distributor Assembly {Prestolite Breaker Point Style} { *See Note }	1	5.0	LH
9	RA107013A	F	Distributor Assembly {Prestolite Breaker Point Style} { *See Note }	1	5.0	RH
9	RA107014A	F	Distributor Assembly {Prestolite Breaker Point Style} { *See Note }	1	5.8	LH
9	RA107015A	F	Distributor Assembly {Prestolite Breaker Point Style} { *See Note }	1	5.8	RH
9	RA107023	F	Distributor Assembly {Prestolite Breakerless} { *See Note }	1	5.0	LH
9	RA107024	F	Distributor Assembly {Prestolite Breakerless} { *See Note }	1	5.0	RH
9	RA107025	F	Distributor Assembly {Prestolite Breakerless} { *See Note }	1	5.8	LH
9	RA107026	F	Distributor Assembly {Prestolite Breakerless} { *See Note }	1	5.8	RH
9	RA107037	F	Distributor Assembly {Prestolite Breakerless} { *See Note }	1	5.8 HO	LH
9	RA107038	F	Distributor Assembly {Prestolite Breakerless} { *See Note }	1	5.8 HO	RH
9A	R107037	F	Module Only, Breakerless Ignition Prestolite Distributors	1	All AR	All
NI	RA114002	U	Plate, Distributor Breaker	1	All	All
NI	RK107037	F	Kit, Breakerless Ignition For Clip Down Cap 6° BTDC Distributors	1	1986 And Prior	All
NI	RK107038	F	Kit, Breakerless Ignition For Bolt Down Cap 10° BTDC Distributors	1	1987 On	All
NI	RK046024	F	Kit, Distributor Advance Spring (Breaker point Distributor)	1	All	All
NI	RK046024A	F	Kit, Distributor Advance Spring (Breakerless Distributor)	1	All	All
10	R113028	F	Kit, Gear Distributor Drive L.H.	1	All 5.0	LH
10	R113030	F	Kit, Gear Distributor Drive L.H.	1	All 5.8	LH
11	R113029	F	Kit, Gear Distributor Drive R.H.	1	All 5.0	RH
11	R113031	F	Kit, Gear Distributor Drive R.H.	1	All 5.8	RH

*NOTE - For GT40 see Page E2-1, PRO TEC See Page E5-1

STARTER

12	RA122001	F	Starter, Assembly, L.H. (No Longer Available Use RK122014)	1	All	LH
12	RA122002	F	Starter, Assembly, R.H.	1	All	RH
12A	RA122014	F	Starter, Assembly Permant Magnet Style	1	All	LH
12A	RK122014	F	Kit Starter, Permant Magnet Style {Replaces RA122001}	1	All	LH
13	RS0305	U	Bolt, Starter Mounting 3/8"-16 x 1 1/4"	2	All	All
14	RS2180	U	Washer, Lock 3/8"	2	All	All
15	RA125001	F	Cable, Starter 22"	1	All	All
16	R009088	F	Screw, Attaching Starter Cable To RA122001 Starter Terminal	1	All	All
17	RA135013	F	Cable, Starter 18" # Gauge {Use With RA122014 Starter}	1	All	All
18	RA121027	F	Cable, Starter Relay To Starter Solenoid "S" Terminal Of RA122014	1	All	All
19	R017074	F	Nut, With Washer Starter Cable To Solenoid Attaching {MS}	1	All	All
20	R126012	F	Cover, Protective Solenoid Battery Cable Terminal Of RA122014	1	All	All
21	R127032	U	Clamp, Cable Retaining	1	All	All
22	RU0033	F	Drive, Bendix L.H. For RA122001 Starter Only	1	All	LH
22	RU0035	F	Drive, Bendix R.H. For RA122002 Starter Only	1	All	RH
22	RU0071	F	Drive, Bendix L.H. For RA122014 Starter Only	1	All	LH
23	R130013	F	Solenoid, Starter Mounted And Starter Activating RA122014 Only	1	All	LH
24	R130001	U	Relay, Starter Assist	1	All	All

FORD DISTRIBUTOR & STARTER

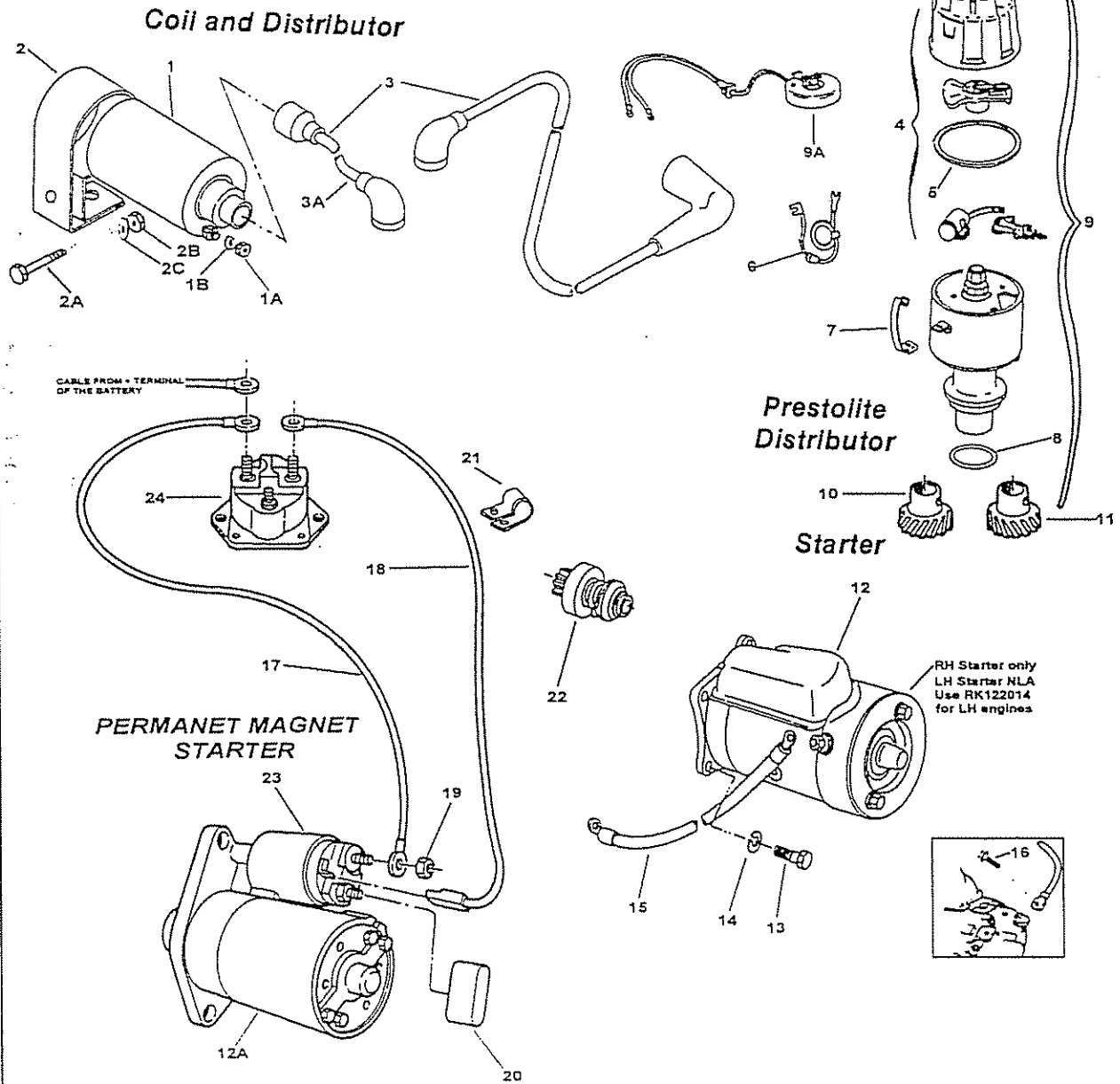


FIGURE E4

D:folec

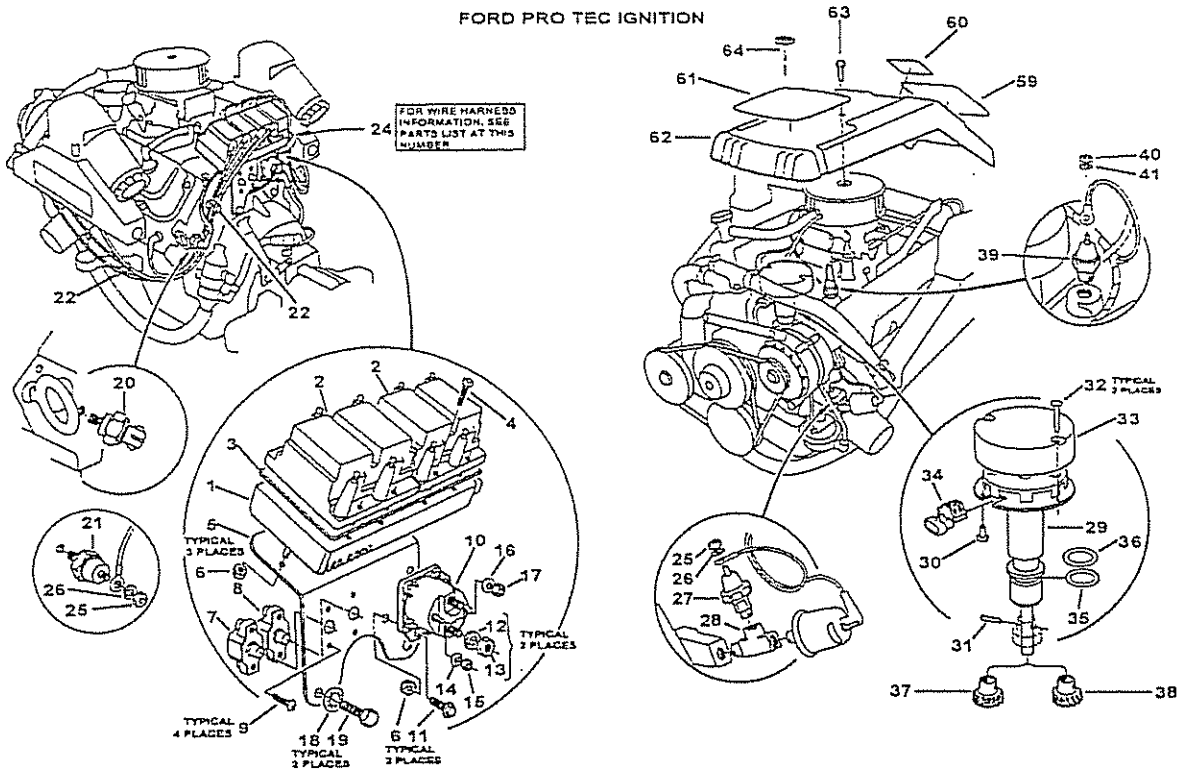
PRO TEC IGNITION

REF NO.	PART NUMBER	CODE	DESCRIPTION	QTY	APP	ROT
1	R116002	F	EEMS Assembly (Includes 1, 2, 3, 4)	1	5.0, 5.8 Std	All
1	R116004	F	EEMS Assembly (Includes 1, 2, 3, 4)	1	5.8 HO	All
1A	R116003	GM	EEMS Assembly (Includes 1, 2, 3, 4)	1	5.7/7.4 Std	All
1A	R116005	GM	EEMS Assembly (Includes 1, 2, 3, 4)	1	7.4 HO	All
NI	RK107033	GM	Kit, Complete EMS System	1	All GM	All
2	R117006	U	Coil, Pack For Four (4) Cylinders	2	All	All
3	RM0221	U	Gasket	1	All	All
4	R009144	U	Screw	8	All	All
5	R090152	F	Bracket, Module	1	All Ford	All
5A	R090153	GM	Bracket, Module	1	5.7/7.4 Std	All
6	RS1078	U	Nut 1/4"-20 With Shakeproof Lock Washer	5	All	All
7	R153007	U	Breaker, Circuit Ignition 12.5 Amp	1	All	All
8	R153006B	U	Breaker, Circuit Main 50 Amp	1	All	All
9	RS5084	U	Screw # 8-32 x 3/4"	4	All	All
10	R130001	U	Relay Starting	1	All	All
11	RS5113	U	Screw 1/4"-20 x 1/2" Thread Cutting	2	All	All
11	RS0251	U	Screw 1/4"-20 x 1/2"	2	All	All
12	RS2200	U	Washer, Lock 5/16" Bronze	2	All	All
13	RS1046	U	Nut, Brass 5/16"-18	2	All	All
13	RS1088	U	Nut, With Shakeproof Lock Washer Brass 5/16"-18	2	AR	All
NI	R129003A	U	Boot, Terminal Protecting For Battery cable	1	All	All
14	RS2196	U	Washer, Lock # 8 Bronze	1	All	All
15	RS1039	U	Nut Brass 8-32	1	All	All
16	RS2197	U	Washer, Lock # 10 Bronze	1	All	All
17	RS1540	U	Nut, Bronze # 10-32	1	All	All
18	RS2179	U	Washer, Lock 5/16"	2	All GM	All
19	RS0328	U	Bolt, 7/16"-14 x 1 1/4"	2	All Ford	All
20	R020020	U	Sensor, Knock Two Wire	1	All	All
21	NLA	U	Sensor, Knock Single Wire Use RK020020 To Replace	1	All	All
22	RA121040	F	Kit, Spark Plug Wire L. H.	1	All Ford	All
22	RA121044	F	Kit, Spark Plug Wire R. H.	1	All Ford	All
23	RA121042	GM	Kit, Spark Plug Wire L. H.	1	5.7/7.4 Std	All
24	NLA	F	Harness, Pro Tec Engine Wiring Single Terminal Knock Sensor	1	All Ford	All
24	R121025C	F	Harness, Pro Tec Engine Wiring Two Terminal Knock Sensor	1	All Ford	All
24	R121026F	GM	Harness, Wire Pro Tec, Two Terminal Knock Sensor (Electric Fuel Pump Only)	1	GM Elec. Fuel Pump	All
24A	NLA	GM	Harness, Wire Pro Tec Single Terminal Knock Sensor (Mechanical Fuel Pump)	1	5.7 And 7.4 Std.	All
24A	R121026E	GM	Harness, Wire Pro Tec, Two Terminal Knock Sensor (Mechanical Fuel Pump)	1	5.7 And 7.4 Std.	All
24B	NLA	GM	Harness, Wire Pro Tec Single Terminal Knock Sensor (Electric Fuel Pump)	1	Electric Pump Only	All
24C	R153013	U	Link, Fusable Ignition Bypass	1	All	All
24D	R121065	U	Harness, Vital System (Oil And Water) Monitoring	1	All	All
24E	RA101009	U	Pigtail, Service Repair For 2 Wire Knock Sensor	1	All	All
24F	R121054	U	Pigtail, Sensor Connector Service Replacement	1	AR	All
25	RS1540	U	Nut, # 10 - 32 Brass	1	All	All
25	RS1521	U	Nut, Plated 10-32	1	All	All
26	RS2176	U	Washer, Lock #10	1	All	All
26	RS2197	U	Washer, Lock # 10 Bronze	1	All	All
27	R020015	U	Switch, Normally Closed Oil Pressure Opens About 7 PSI	1	All	All
28	R024145	U	Fitting, "T" 1/8" Male NPT x 1/8" Female NPT x 1/8" Female NPT	1	All	All
29	RA107032	F	Trigger, Assembly L.H. (Includes Items 29, 37, And 30 Thru 35)	1	5.8	LH
29	RA107034	F	Trigger, Assembly R.H. (Includes Items 29, 38, And 30 Thru 35)	1	5.8	RH
29	RA107035	F	Trigger, Assembly L.H. (Includes Items 29, 37, And 30 Thru 35)	1	5.0	LH
29	RA107036	F	Trigger, Assembly R.H. (Includes Items 29, 38, And 30 Thru 35)	1	5.0	RH
29	RA134065	F	Trigger, Sub Assembly L.H. (Includes Items 29 Thru 37 And 31)	1	5.8	LH
29	RA134067	F	Trigger, Sub Assembly R.H. (Includes Items 29 Thru 35 And 31)	1	5.8	RH

THE ILLUSTRATION FOR REFERENCE NUMBERS ON THIS PAGE WILL BE FOUND ON FIGURE E5

PRO TEC IGNITION

FORD PRO TEC IGNITION



GM PRO TEC IGNITION

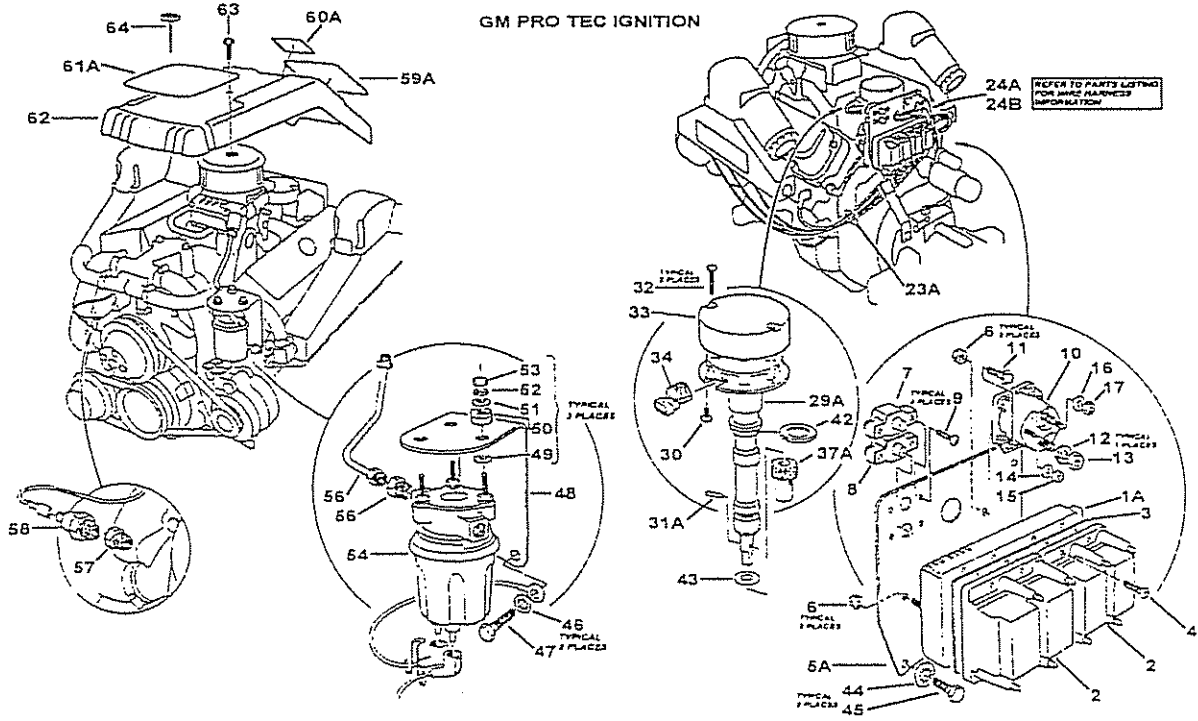


FIGURE E5

pticomb

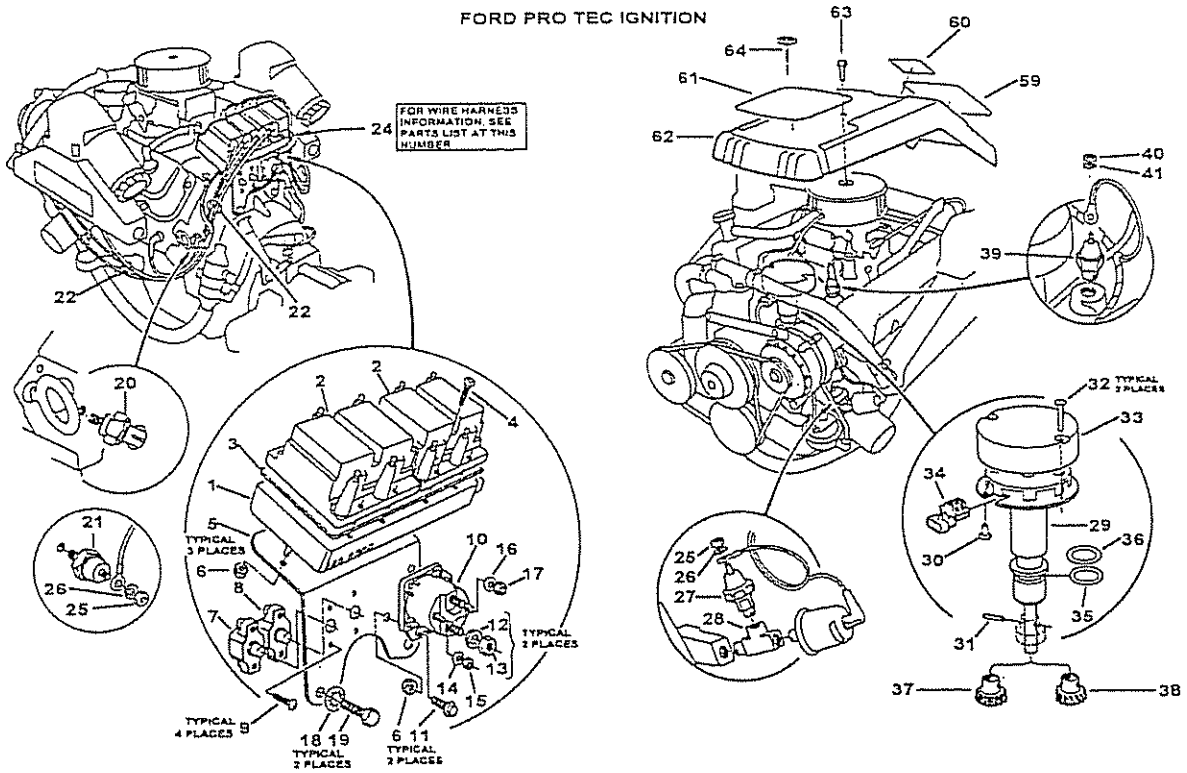
PRO TEC IGNITION

REF NO.	PART NUMBER	CODE	DESCRIPTION	QTY	APP	ROT
29A	RA107033	GM	Trigger, Assembly Complete {Includes Items 29A Thru 34, 43, 37A}	1	All GM	All
30	RS5121	U	Screw 8-32 x 3/8"	1	All	All
31	R082060	F	Pin, Steel Roll 1/8" Diameter	1	All Ford	All
31A	R082061	GM	Pin, Steel Roll	1	All GM	All
32	RS5120	U	Screw 8-32 x 1 1/4"	2	All	All
33	R060049	U	Cover, Trigger Assembly	1	All	All
34	R020012	U	Sensor, Crank Position And Ignition Trigger	1	All	All
35	R047199	F	"O" Ring	1	All 5.8	All
36	R169061	F	Shim, .060" Thick Trigger To Block Spacing	1	AR Ford	All
37	R113030	F	Kit, Gear Distributor Drive L.H.	1	All 5.8	LH
37A	R113054	GM	Gear, Trigger Drive	1	5.7/7.4 Std	All
38	R113031	F	Kit, Gear Distributor Drive R.H.	1	All 5.8	RH
39	R020006	U	Sender, Oil Pressure Gauge	1	All	All
39A	R020014	U	Switch, Water Temperature 210° 3/8" NPT * See Note	1	AR	All
39A	R020014A	U	Switch, Water Temperature 210° 1/2" NPT * See Note	1	All	All
NI	RS3681	U	Bushing, Adapter 1/2" Male NPT To 3/8" Female NPT	1	All	All
40	RS1039	U	Nut, Temperature Switch Stud Brass #8 x 32	1	All	All
41	RS2196	U	Washer, Bronze Spring Lock Temperature Switch Stud #8	1	All	All
42	RM0123	GM	Gasket	1	5.7/7.4 Std	All
43	R096134	GM	Washer, Wear	1	All GM	All
44	RS2461	U	Washer, Internal Shakeproof 5/16"	2	All Ford	All
45	RS0775	U	Bolt, 5/16" - 24 X 3/4"	2	All GM	All
46	RS2462	U	Washer, Lock Internal 3/8"	2	All 7.4	All
47	RS0302	U	Bolt, 3/8 - 16 x 3/4"	2	All 7.4	All
48	R090154	U	Bracket,	1	All 7.4	All
49	RS2674	U	Washer, Flat (Bottom) 5/16"	3	All 7.4	All
50	R094028	U	Grommet, Rubber	3	All 7.4	All
51	RS2717	U	Washer, Flat (Top) #10	3	All 7.4	All
52	RS2176	U	Washer, Lock #10	3	All 7.4	All
53	RS1521	U	Nut, #10 - 32	3	All 7.4	All
54	RA080018	U	Pump, Fuel Assembly, Electric	1	All 7.4	All
NI	R024089	U	Fitting, 90° Fuel Inlet 1/4" NPT x 3/8" Hose Barb	1	All	All
55	R024113	U	Adapter, 1/4" NPT 45° 3/8" Flare	1	All 7.4	All
56	RA085045A	GM	Line, Fuel Assembly, All Except Fish Bowl Carburetor	1	7.4 Std	All
56	RA085052	GM	Line, Fuel Assembly, Fish Bowl Carburetor	1	7.4 Std	All
56	RA085055	GM	Line, Fuel Assembly	1	7.4 HO	All
57	RS3681	U	Bushing, Adapter 1/2" Male NPT To 3/8" Female NPT	AR	AR	All
58	R020014	U	Switch, Water Temp 210° 3/8" NPT * See Note	AR	AR	All
58	R020014A	U	Switch, Water Temp 210° 1/2" NPT * See Note	1	EMS Engine	All
NI	RS1039	U	Nut, Temperature Switch Stud Brass #8 x 32	1	All	All
NI	RS2196	U	Washer, Bronze Spring Lock Temperature Switch Stud #8	1	All	All
59/59A	R143067	U	Decal, Pro Tec	1	All	All
6060A	R143068	U	Decal, Specification (By Engine)	1	All	All
61/61A	R143072	U	Decal, Engine (By Engine)	1	All	All
62	R060050	U	Cover, Engine	1	All 7.4	All
63	R031004	U	Stud,	1	All 7.4	All
NI	RK173061	U	Kit, Mounting Hardware {Includes 49 Thru 53 and Wires}	1	AR	All
NI	RA085053A	GM	Line, Fuel Assembly, Fuel Inlet To Pump	1	All	All
NI	R024017	U	Fitting, Fuel Inlet	1	All	All
NI	R153012	GM	Fuse, 5 Amp Slow Blow (Electric Fuel Pump Only)	1	All	All
NI	R127015	U	Clamp, Retaining {Fuel Inlet Line}	1	All	All
63	RS0260	U	Bolt, Flame Arrester (2 Inch Models) 1.4" - 20 x 2"	1	5.0	All
63	RS0264	U	Bolt, Flame Arrester (3 Inch Models) 1.4" - 20 x 3"	1	5.8	All
64	RA009145	F	Bolt, Special With Rosette Knob 1/4" 20 x 2 1/2"	1	5.8	All
64	RA009160	GM	Bolt, Special With Rosette Knob 1/4" - 20 x 3.75"	1	All GM	All

*NOTE Spade Terminal Components are no longer available. Replace wire end with a #10 eyelet connector as needed.

PRO TEC IGNITION

FORD PRO TEC IGNITION



GM PRO TEC IGNITION

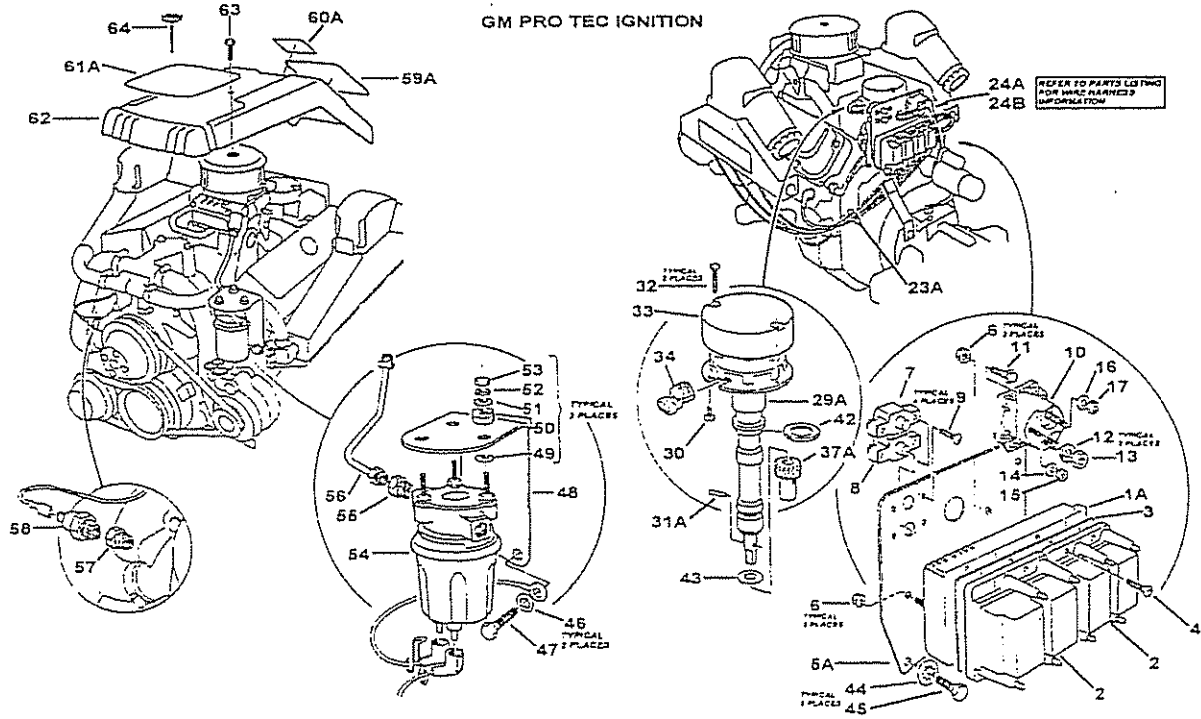


FIGURE E5

pticomb

INSTRUMENT PANEL AND ELECTRICAL ACCESSORIES

REF NO.	PART NUMBER	CODE	DESCRIPTION	QTY	APP	ROT
1	RA152001	U	Instrument Panel Assembly	1	All	All
2	R151008	U	Tachometer	1	All	All
3	R151011	U	Voltmeter	1	All	All
4	R151010	U	Gauge, Water Temperature	1	All	All
5	R151009	U	Gauge, Oil Pressure	1	All	All
6	R153003	U	Switch, Ignition	1	All	All
7	RS1540	U	Nut, Brass Oil And Water Sender Terminal # 10-32	2	All	All
8	RS2197	U	Washer, Bronze Lock Terminal Nut # 10	2	All	All
9	R020001	U	Sender, Oil Pressure	1	All	All
NI	R020006	U	Sender, Dual Station Oil Pressure	1	All	All
11	R020015	U	Switch, Low Oil Pressure	1	AR	All
12	RS3676	U	Adapter, Bushing, Pressure Sender 1/4" Male NPT x 1/8" Fem. NPT	1	All	All
13	R024145	U	Fitting, "T" 1/8" Male NPT x 1/8" Female NPT x 1/8" Female NPT	1	All	All
14	R020004	F	Adapter, Pressure Sender	1	All	All
15	R020002	U	Sender, Water Temp 3/8" NPT	1	5.0	All
15	R020003	U	Sender, Water Temp. 1/2" NPT	1	5.8	All
15	R020005	U	Sender, Water Dual Station Temperature 3/8" NPT	1	All	All
15A	R020014	U	Switch, High {210°} Temperature 3/8" NPT	1	AR	All
15A	R020014A	U	Switch, High {210°} Temperature 1/2" NPT	1	AR	All
16	RS3681	U	Bushing, Sender Reducing 1/2" Male NPT To 3/8" Female NPT	1	AR	All
NI	R020030	U	Switch, Transmission High Oil {195°} Temperature 3/8" NPT	1	AR	All
17	R121001	F	Harness, Engine Wiring {Prestolite Alternator}	1	All to 1983	All
17	R121025	F	Harness, Engine Wiring {Motorola Alternator}	1	All 1983 Thru 86	All
17	R121025A	F	Harness, Engine Wiring {Motorola And Mando Alternator}	1	All 1987 On	All
17	R121025D	F	Harness, Engine No Resistor Wires {Motorola & Mando Alternator}	1	All 1987 On	All
NI	RA121065	U	Harness, Oil Pressure And Water Temperature Fault Detection	1	AR	All

ELECTRICAL ACCESSORY OPTIONS

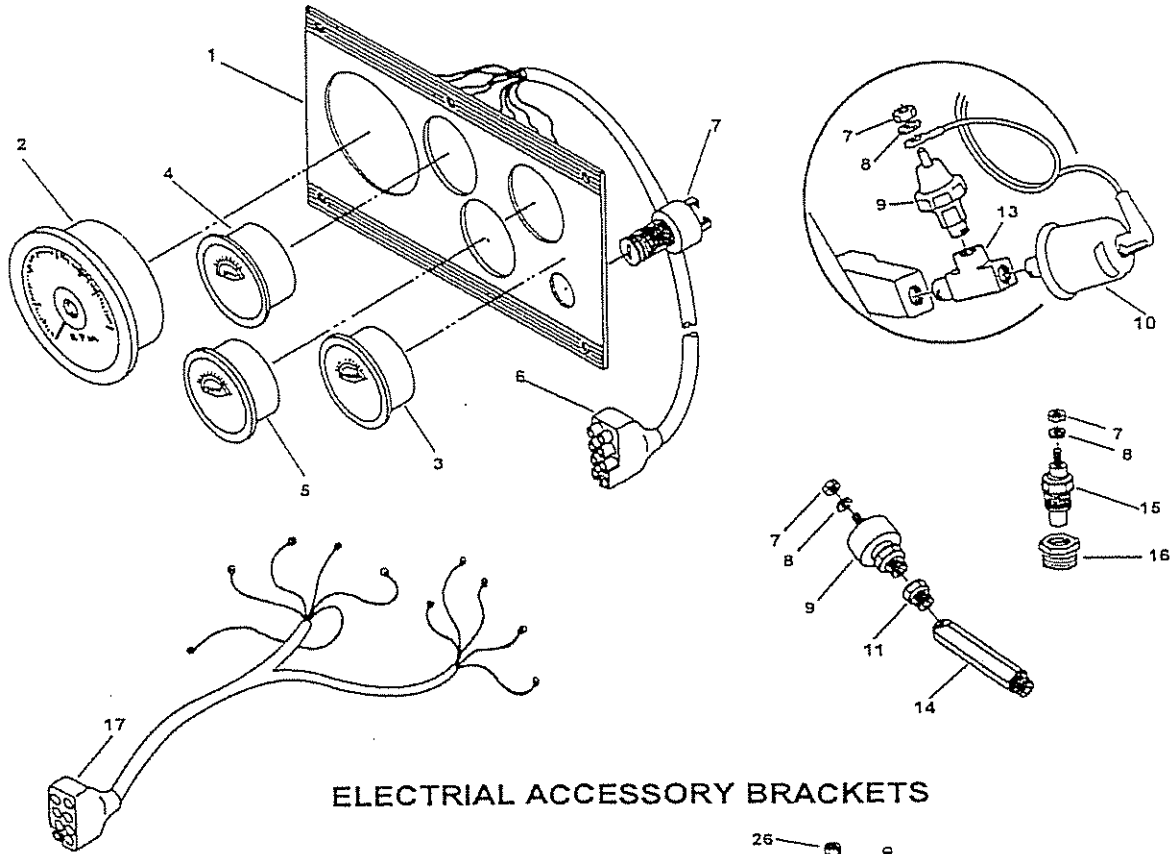
NI	R121007	U	Extension, 20 Foot Panel Harness	1	All	All
NI	R121014	U	Extension, 10 Foot Panel Harness	1	All	All
NI	R121002	U	Pigtail, 1 Foot Splicing Engine to Panel Harness	1	All	All
NI	R121024	U	Harness, "Y" Dual Station Adapter	1	All	All
NI	R127032	U	Clip, Circle, Starter Cable To Block Rear	1	All	All
NI	R127056	F	Clip, Circle, Harness To Intake Retaining Rear	1	All	All
NI	R127018	U	Clip, "J", Harness To Valve Cover Retaining Right Side	1	All	All
NI	R127025	F	Clip, Spark Plug Wire Retaining Front	1	All	All
NI	RA121028	F	Harness, Alarm System Wire Assembly	1	AR	All
NI	RA121065	F	Harness, High Temperature And Low Oil Pressure Alarm Only	1	AR	All

ELECTRICAL ACCESSORY BRACKETS

18	R090006	F	Bracket, Accessory Mounting	1	All Fords	All
18A	R090076	GM	Plate, Component Mounting	1	All GM	All
19	R090074	U	Bracket, Circuit Breaker and Cover Mounting	1	All GM	All
20	RS0251	U	Bolt, Accessory Mounting 1/4" -20 x 1/2"	6	All Ford	All
21	RS5113	U	Screw, Component To Plate, Securing Thread Cutting 1/4"-20 x 1/2"	6	All GM	All
22	RS1078	U	Nut, With Shakeproof Washer Accessory Mounting 1/4" -20	6	All Ford	All
23	RS1046	U	Nut, Brass 5/16" - 18	2	All GM	All
24	RS2200	U	Washer, Bronze Lock Cable Terminal 5/16"	2	All GM	All
25	RP119001	U	Resistor, Coil Primary (Ignition Points Only)	1	All	All
26	RS1039	U	Nut, Bronze Resistor Terminal # 8-32	2	All	All
27	RS2196	U	Washer, Bronze Lock Resistor Terminal # 8	2	All	All
28	R130001	U	Relay, Starter	1	All	All
NI	R129003A	U	Boot, Terminal Protecting For Battery Cable	1	All	All
7	RS1540	U	Nut, Bronze Switch Wire Terminal #10 -32	2	All	All
8	RS2197	U	Washer, Bronze Lock, Switch Wire Terminal # 10	2	All	All
29	RP098002	U	Regulator, Voltage Prestolite	1	All to 1983	All

THE ILLUSTRATION FOR REFERENCE NUMBERS ON THIS PAGE WILL BE FOUND ON FIGURE E6

INSTRUMENT PANEL AND SENDERS



ELECTRICAL ACCESSORY BRACKETS

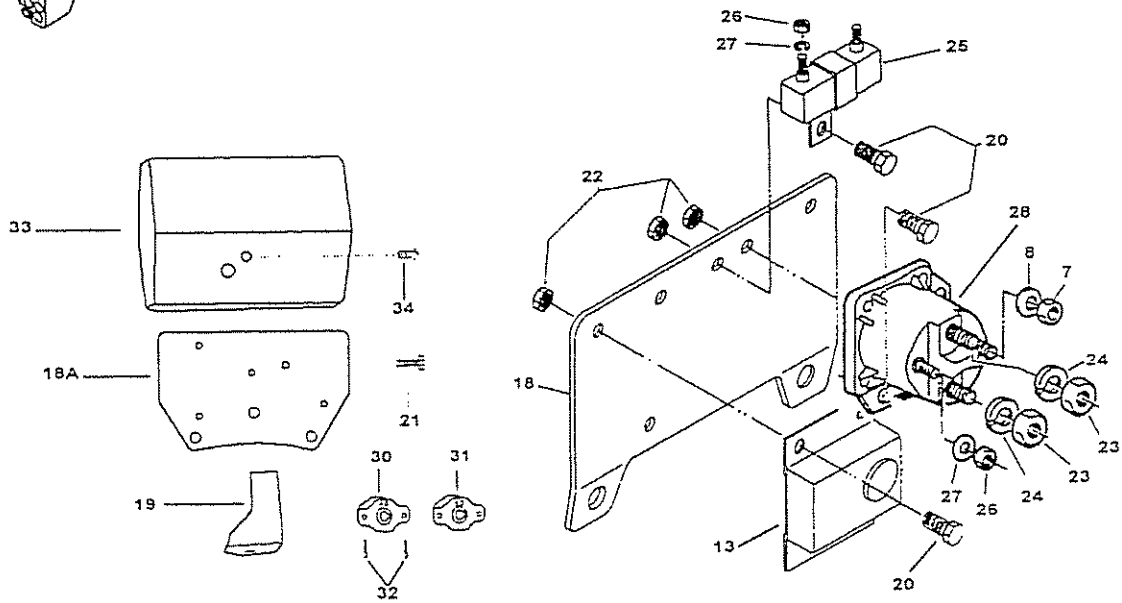


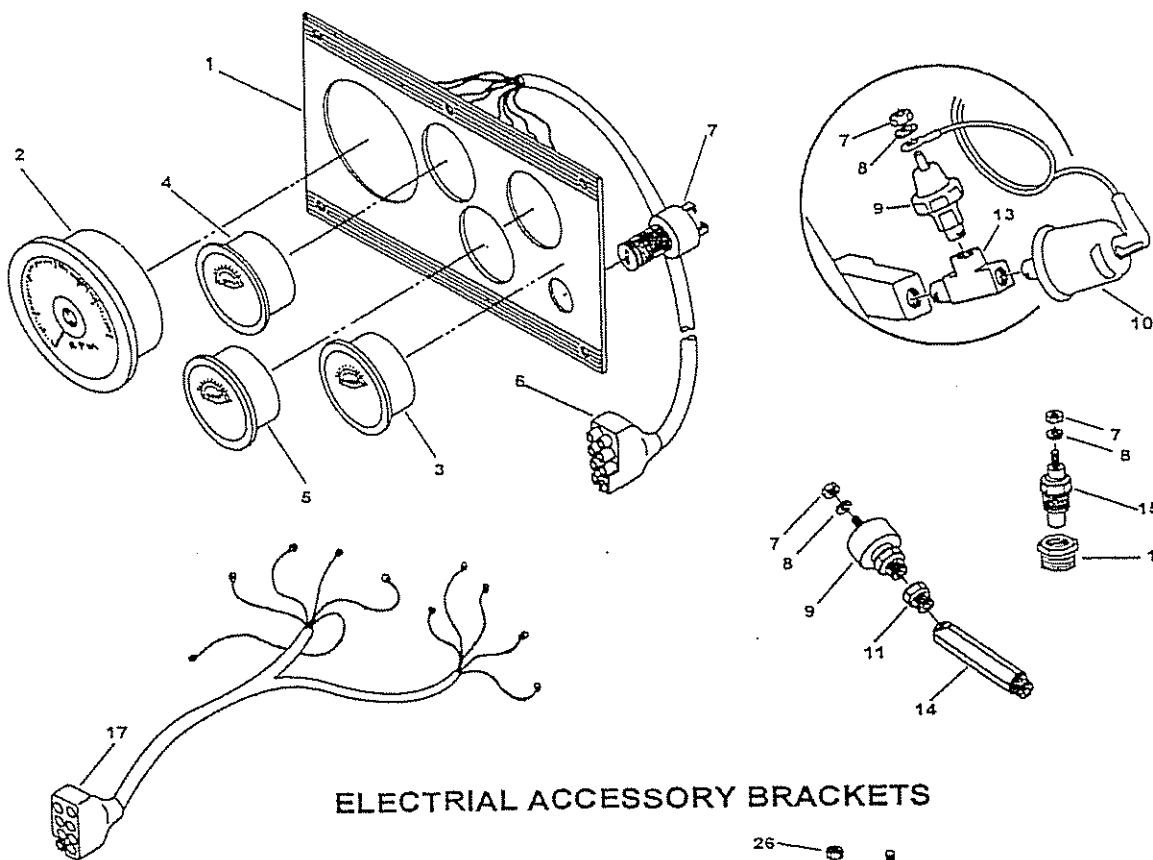
FIGURE E6

D:1-32

INSTRUMENT PANEL AND ELECTRICAL ACCESSORIES

REF NO.	PART NUMBER	CODE	DESCRIPTION	QTY	APP	ROT
30	R153006	U	Breaker, 40 Amp Circuit	1	All 1983 Thru 86	All
31	R153006B	U	Breaker, 50 Amp Circuit	1	All 1987 On	All
NI	R121019	U	Wire, Breaker to Relay	1	All 1983 On	All
32	RS5084	U	Screw, Breaker Attaching # 8 - 32 x 3/4"	2	All 1983 On	All
33	R126007A	F	Cover, Electrical Bracket	1	All 1983 On	All
34	RS5111	U	Screw, Cover Attaching 1/4" - 20 x 3/4"	1	All 1983 On	All

INSTRUMENT PANEL AND SENDERS



ELECTRICAL ACCESSORY BRACKETS

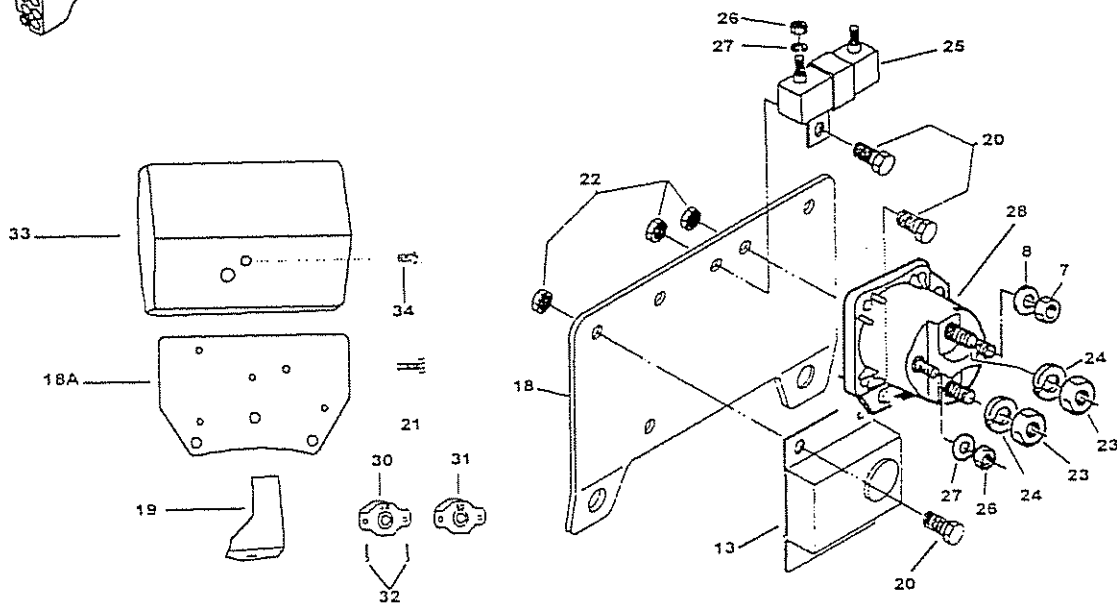


FIGURE E6

D:1-32

FORD 5.0/5.8 P M STARTER AND DRIVE GROUP

REF NO.	PART NUMBER	CODE	DESCRIPTION	QTY	APP	ROT
1	RA122014	F	Starter and Drive Assembly, Permanent Magnet, Std. Rot.	1	5.0/5.8,92 On	LH
2	RU0051	F	Armature	1	5.0/5.8	LH
3	RU0052	F	Washer	1	5.0/5.8	LH
4	RU0053	F	Plate and Bearing, Brush End	1	5.0, 5.8	LH
5	RU0054	F	Holder, Brush (Includes Brushes)	1	5.0/5.8	LH
6	RU0055	F	Lever	1	5.0/5.8	LH
7	RU0056	F	Frame and Magnet Assembly	1	5.0/5.8	LH
8	RU0057	F	Bolt, Through	1	5.0/5.8	LH
9	RU0058	F	Attaching Kit Includes (Items 10 - 12)	1	5.0/5.8	LH
10	R017074	F	Nut and Washer, M8	1	5.0/5.8	LH
11	N805406-S36B	F	Screw, M5 x 10.40 mm (Serviced in kit only)	2	5.0/5.8	LH
12	N805405-S36B	F	Screw, M6 X 35.3 mm (Serviced in kit only)	2	5.0/5.8	LH
13	RU0059	F	Grommet	1	5.0/5.8	LH
14	RU0060	F	Housing, Drive End (Includes Bearing)	1	5.0/5.8	LH
15	RU0061	F	Bearing	1	5.0/5.8	LH
16	RU0062	F	Bearing, Planet	3	5.0/5.8	LH
17	RU0063	F	Bearing, Drive End Housing	1	5.0/5.8	LH
18	RU0064	F	Gear, Stationary	1	5.0/5.8	LH
19	RU0065	F	Retainer, Gear	1	5.0/5.8	LH
20	RU0066	F	Seal	1	5.0/5.8	LH
21	RU0067	F	Ball, Armature Thrust	1	5.0/5.8	LH
22	RU0068	F	Gear Assembly, Planet (Includes Bearing)	3	5.0/5.8	LH
23	RU0069	F	Ring, Drive Stop	1	5.0/5.8	LH
24	RU0070	F	Retainer, Drive Stop Ring	1	5.0/5.8	LH
25	RU0071	F	Drive Assembly (Includes Ring and Retainer)	1	5.0/5.8	LH
26	RU0072	F	Shaft Assembly, Output	1	5.0/5.8	LH
27	R130013	F	Solenoid	1	5.0/5.8	LH
28	RU0073	F	Ring, Retaining	1	5.0/5.8	LH
29	R126012	F	Cover, Solenoid Terminal	1	5.0/5.8	LH
30	R130001	F	Relay, Starter	1	5.0/5.8	LH

FORD 5.0/5.8 PM STARTER & DRIVE ASSEMBLY

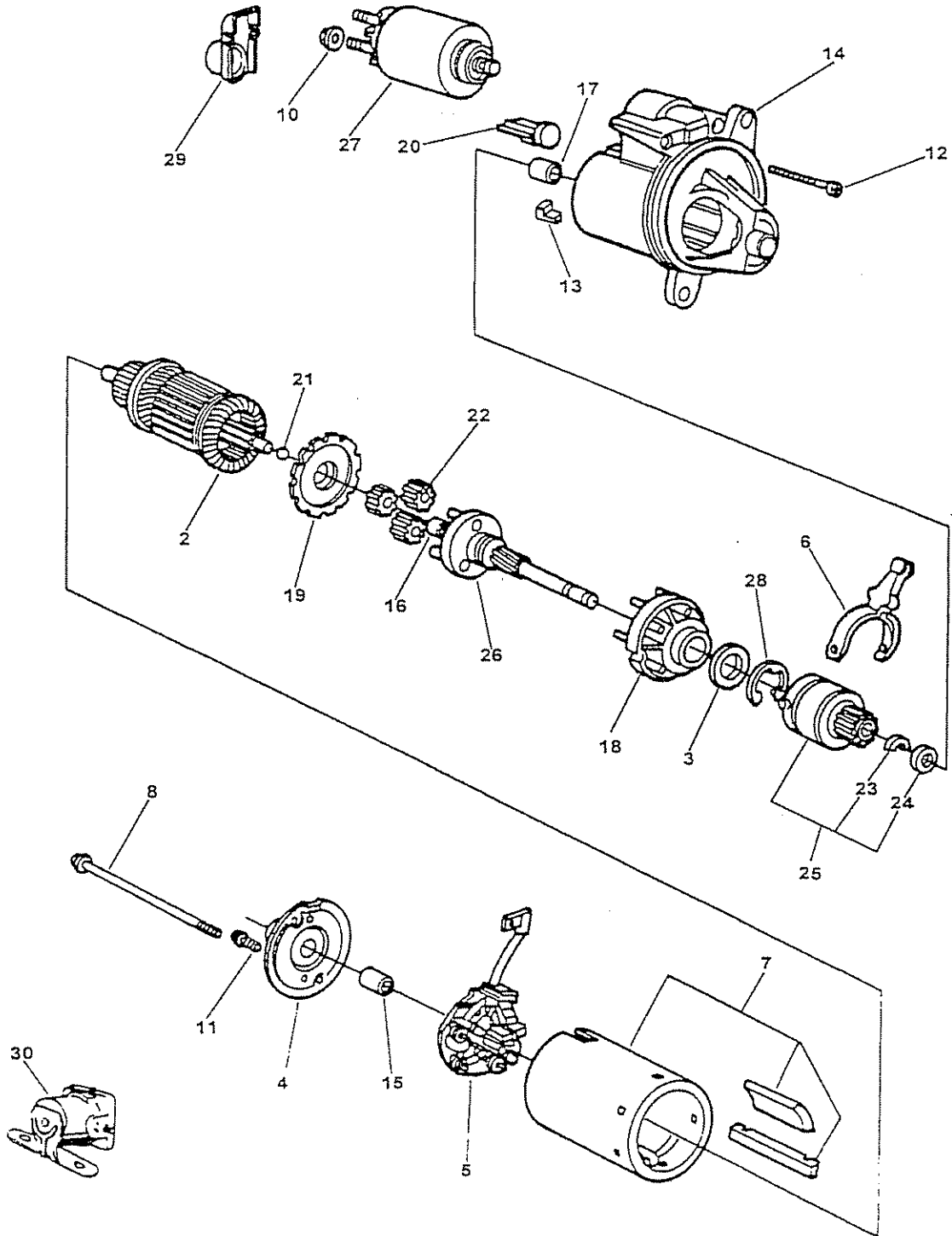


FIGURE E7

D:festr

CARBURETOR, FLAME ARRESTER, FUEL PUMP AND FILTER

REF NO.	PART NUMBER	CODE	DESCRIPTION	QTY.	APP.	ROT
CARBURETOR AND FLAME ARRESTER GROUP						
1	RA052001	F	Carburetor, Assembly, 2 Barrel Holley	1	5.0	All
1	RA052002	U	Carburetor, Assembly, 4 Barrel Holley	1	5.0	All
1	RA052003	U	Carburetor, Assembly, 4 Barrel Holley	1	5.7 & 5.8	All
1	RA052007	GM	Carburetor, Assembly, 4 Barrel Holley	1	7.4	All
1	RA052010	GM	Carburetor, Assembly, 4 Barrel Holley {9022 List}	1	7.4 HO	LH
1	RA052016	U	Carburetor, Fish Bowl Style	1	All Std. Eng. *	All
1	RA052017	GM	Carburetor, Fish Bowl Style	1	7.4 HO	All
NI	RA085046	U	Line, Fuel Front to Rear Bowl (All Fish Bowl)	1	All	All
2	R145017	U	Flame Arrester 7" x 2.5" With Vent Tube & Fuel Feed Back Fitting	1	All	All
2	R145011	U	Arrester, Flame 3" Height	1	5.8 Power Plus	All
2	R145006A	U	Arrester, Flame, 2" Height x 8" OD	1	All Optional	All
3	RM0129	U	Gasket, Flame Arrester To Carburetor	1	All	All
NI	R143008A	F	Decal, Specifications (Order By Description)	1	All 1987 On	All
4	RS0260	U	Bolt, Flame Arrester (2 inch Models) 1/4" 20 x 2"	1	5.0	All
4	RS0264	U	Bolt, Flame Arrester (3 inch Models) 1/4" 20 x 3"	1	5.8	All
4A	RA009145	U	Bolt, Special With Rosette Knob 1/4" 20 x 2 1/2"	1	All	All
4A	R009160	GM	Bolt, Flame Arrester With Rosette Knob 1/4" - 20 x 3 3/4"	1	All TBI	All
5	R045008C	U	Hose, Flame Arrester To Valve Cover	1	All	All
5	R045008A	GM	Hose, Crankcase Vent	1	All	All
5A	R045029	U	Hose, Clear (Fuel Sight Fuel Pump To Flame Arrester Or Carb)	2'	All	All
5B	R034040	U	Cap, For Carburetor Or Flame Arrester Fuel Fume Feedback Tube	1	All	All
6	R095013	F	Stud, Carburetor Mounting	4	All	All
7	RS1080	U	Nut, Carburetor Mounting 5/16" x 24	4	All	All
8	RS2179	U	Washer, Spring Lock Carburetor Mounting 5/16"	4	All	All
9	RM0048	F	Gasket, Carburetor Mounting	2	5.0, 2V	All
9	RM0054	U	Gasket, Carburetor Holley 4V {Thin}	1	All	All
9A	RM0054B	F	Gasket, Carburetor Mounting {Thick} Heat Resistant	2	All, 4 V	All
9B	R062035	GM	Insulator, Carburetor 4V	1	All Std. Eng. *	All
10	R062009	F	Spacer, 2 Barrel Carburetor	1	5.0 2V	LH
10	R062010	F	Spacer, 4 Barrel Carburetor 1971 Thru 1984 {Aluminum}	1	5.0 4V & 5.8	All
10	R062010A	F	Spacer, 4 Barrel Carburetor 1985 On {Cast Iron}	1	5.8	All
10A	R023001	GM	Adapter, GM Spread Bore To Holley 4V Carb. {W/O PCV Port}	1	All Std. Eng. *	All
10A	R023001A	GM	Adapter, GM Spread Bore To Holley 4V Carb. {W/ PCV Port}	1	All Std. Eng. *	All
11	RN0032	U	Gasket, Fuel Line Adapter Fitting	1	All	All
12	R024025	U	Fitting, Fuel Line Adapter	1	All	All
12A	R024187	GM	Fitting, 7/8" - 20 x 06 JIC Male Flare RA085052 Line	1	7.4 1996 On	All
12B	RN0073	GM	Filter, Fuel Inlet (used with R024187 Only)	1	AR	All
13	R090069	U	Plate, Carburetor Ball Joint	1	All	All
14	R178003	U	Ball Joint, Carburetor	1	All	All
14A	RS1568	U	Nut, Jam-Type 1/4" - 28	1	All	All
NI	RK090056	F	Kit, Throttle Bracket	1	All	All
15	RN0067	U	Cover, Choke Holley Carburetor Resistance Wire Heated	1	All Std. Eng. *	All
15	RN0135	U	Cover, Choke Holley Carburetor Solid State	1	All Std. Eng. *	All
16	RS2458	U	Washer, Lock #10	1	All	All
17	RS1521	U	Nut 1/4" - 20	1	All	All
18	RS5105	U	Screw, Plate Attaching 10 - 24 x 5/8"	1	All	All
19	RS0282	U	Bolt, Holley Carburetor Attaching 5/16" - 18 x 1"	4	All Std. Eng. *	All
20	RS3927	U	Screw, Adapter Attaching {Socket Head} 5/16" - 18 x 1"	4	All Std. Eng. *	All
21	R094014	GM	Grommet, PCV Valve	1	5.0, 5.7	All
21	R094016	GM	Grommet, PCV Valve	1	7.4	All
22	R035015	GM	Valve, PCV	1	All	All
22A	R035004	F	Valve, PCV 1/2" Nipple Fresh Water Cooling	1	All	All
22A	R035007	F	Valve, PCV 3/8" Nipple Raw Water Cooling	1	All	All
22A	R035023	F	Valve, PCV 90°	1	Power Plus	All
23	R127028	U	Clamp, PCV Hose	2	All	All
24	R045008B	GM	Hose, PCV Valve	1	All	All
25	R024013A	GM	Fitting, Vent Hose	1	All	All
26	R094002	GM	Grommet, Vent Hose	1	All	All

CARBURETOR REPAIR PARTS

NI	RN0127	U	Tube, "J" Bowl Vent	2	All	All
15	RN0135	U	Cover, Choke Operating Solid State	1	All	All
15	RN0067	U	Cover, Choke Holley Carburetor Resistance Wire Heated	1	All Std. Eng. *	All

THE ILLUSTRATION FOR REFERENCE NUMBERS ON THIS PAGE WILL BE FOUND ON FIGURE F1
MAY 2000

CARBURETOR & FUEL PUMP

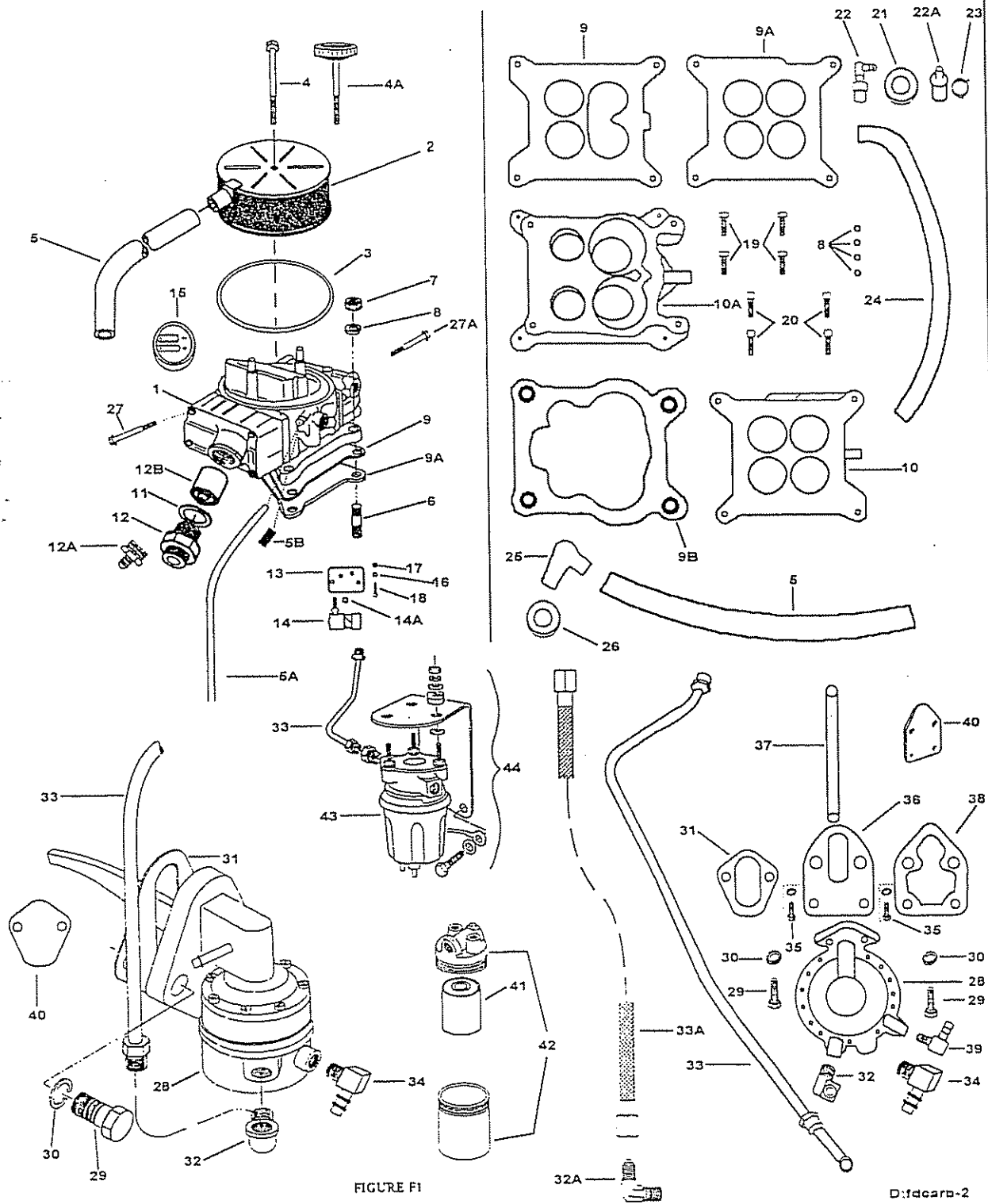


FIGURE F1

D:\fdcarb-2

CARBURETOR, FLAME ARRESTER, FUEL PUMP AND FILTER

REF NO.	PART NUMBER	CODE	DESCRIPTION	QTY.	APP.	ROT
NI	RN0143	U	Body, Metering Main	1	5.7 And 5.8	All
27	R009142	U	Screw, Solid Carburetor Primary Bowl To Body Attaching	4	All	All
27A	R009143	U	Screw, Solid Carburetor Secondary Bowl To Body Attaching	4	All	All
NI	RN0141	U	Float, Fish Bowl Primary And Secondary	2	Fish Bowl	All
NI	RN0133	U	Float, 4160 Primary And Secondary	2	4160	All
NI	R024187	U	Fitting, Fuel Inlet 7/8" - 20 x 06 JIC {Electric Fuel Pump}	1	4160	All
NI	RN0054	U	Diaphragm, Acceleration Pump	1	4160	All
NI	RN0059	U	Spring, Inlet Fitting Filter Tensioning {Early Carburetors}	1	4160	All

* The notation "All Std. Eng. *" indicates that the part listed does not have any application on the PCM 7.4 HO {PLN} engine.

CARBURETOR GASKET KITS

NI	RN0115	F	List # 6150A	1	5.0, 2 V	All
NI	RN0115-1	F	List # 6317, 7036, 50417, 0-80263	1	5.0, 2 V	All
NI	RN0117	F	List # 4473, 4608, 6151, 6407	1	5.0, 4 V	All
NI	RN0117-1	U	List # 7159, 7163, 9392, 9393, 50418, 80264	1	All, 4 V	All
NI	RN0119	F	List # 6576	1	5.8	All

CARBURETOR REPAIR KITS

NI	RN0116	F	List # 6150	1	5.0, 2V	All
NI	RN0116-1	F	List # 6317-1	1	5.0, 2V	All
NI	RN0116-2	F	List # 7036, 50417, 0-80263	1	5.0, 2V	All
NI	RN0118	U	List # 4473, 4608, 6151, 6152, 6407	1	5.0, 4V	All
NI	RN0118-1	U	List # 7159, 9393, 50418, 80264, 50462, 50462-1	1	5.0, 4V	All
NI	RN0120	U	List # 6576	1	5.8	All
NI	RN0120-1	U	List # 7163, 9392, 50419, 50463, 50469-1, 50469-2, 80265, 80465, 80465-1, 75009AZ	1	5.8	All
NI	RN0142	GM	Kit, Repair For RA052010 Holley List # 9022	1	7.4 HO	All
NI	RN0137	U	All Fishbowl Carburetors	1	All	All

MECHANICAL FUEL PUMP {FORD}

28	RA080002A	F	Fuel Pump Assembly	1	All	All
29	RS0305	U	Bolt, Fuel Pump Mounting 3/8" 16 x 1 1/4"	2	All	All
30	RS2180	U	Washer, Lock Fuel Pump Mounting 3/8"	2	All	All
31	RM0015	U	Gasket, Fuel Pump	1	All	All
32	R024017	U	Elbow, Fuel Line Adapter	1	All	All
33	RA085002B	F	Line, Fuel Pump To Carburetor	1	All	All
33	RA085047	F	Line, Fuel Pump To Fish Bowl Carburetor	1	All	All
34	R024089	U	Fitting, Fuel Inlet {1/4 NPT By 3/8" Barbed}	1	All	All
40	R109046	F	Plate, Fuel Pump Access Hole Blocking	AR	Ford	All

MECHANICAL FUEL PUMP {GM}

28	RA080009A	GM	Pump Assembly, Fuel	1	5.0, 5.7	All
28	RA080010A	GM	Pump Assembly, Fuel	1	7.4	All
29	RS0305	U	Bolt, Pump to Block 3/8" - 16 x 1 1/4"	2	5.0, 5.7	All
29	RS0304	U	Bolt, Pump to Block 3/8" - 16 x 1"	2	7.4	All
30	RS2180	U	Washer, Lock 3/8"	2	All	All
31	RM0015	GM	Gasket, Fuel Pump to Plate	1	All	All
32	R024017	U	Fitting, Fuel Line	1	All	All
32A	R024163	U	Fitting, FCC Fuel Inlet From Low Pressure Pump	1	All	All
33	RA085048	GM	Fuel Line, Fish Bowl Carburetor	1	5.0, 5.7	All
33	RA085049	GM	Fuel Line, Fish Bowl Carburetor	1	7.4 Std	All
33	RA085050	GM	Fuel Line, Fish Bowl Carburetor	1	7.4 HO	All
33	RA085018	GM	Fuel Line, Model 4160 Holley	1	5.0, 5.7	All
33	RA085020A	GM	Fuel Line, Model 4160 Holley	1	7.4 Std	All
33	RA085052	GM	Line, Fuel Assembly Electric Pump To 4160 Carburetor Inlet	1	5.7 1996 On	All
33A	R085071	GM	Hose, Fuel Feed, Low Pressure Pump To Carburetor, 23" Length	1	5.7 1996 On	All
NI	R024187	GM	Fitting, 7/8" - 20 x 06 JIC Male Flare RA085052 Line	1	5.7 1996 On	All
34	R024089	U	Fitting, Fuel Inlet {1/4 NPT By 3/8" Barbed}	1	All	All
35	R009097	GM	Bolt And Lock Washer, Plate to Block	2	5.0, 5.7	All
36	R109028	GM	Plate, Fuel Pump Adapter	1	5.0, 5.7	All
37	R039005	GM	Rod, Fuel Pump Push	1	All	All
38	RM0122	GM	Gasket, Plate to Block	1	5.0, 5.7	All

CARBURETOR & FUEL PUMP

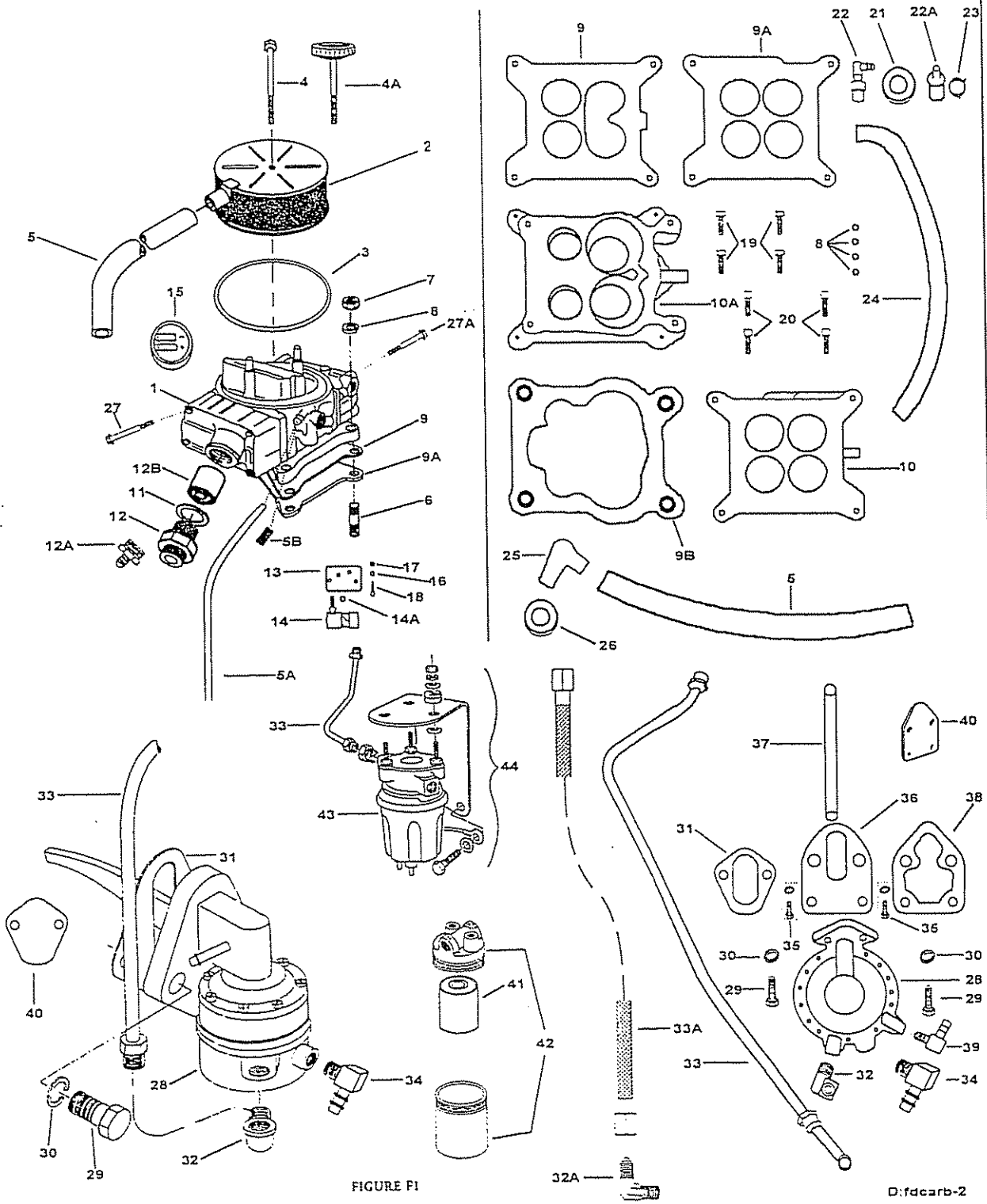


FIGURE F1

D:fdcarb-2

CARBURETOR, FLAME ARRESTER, FUEL PUMP AND FILTER

REF NO.	PART NUMBER	CODE	DESCRIPTION	QTY.	APP.	ROT
39	R024055	U	Fitting, Sight Tube	1	All	All
40	R109047	GM	Plate, Fuel Pump Access Hole Blocking	AR	GM	All
43	RA080018	U	Pump, Fuel Feed Electric 5 To 6 PSI {1996 On}	1	Mark IV & 5.7	All
NI	R127018	U	Clip, Fuel Line Retaining	1	5.7 1996 On	All

SEE PAGE F2-1 FOR ELECTRIC FUEL PUMPS

FUEL FILTER

41	RP080008	U	Element For RA080008 Filter Fram Short	1	All	All
41	RP080012	U	Element For RA080012 Separator Fram Long	1	All	All
41	RP080020	U	Element For RA080020 Separator Racor	1	All	All
42	RA080008	U	Filter, Fuel Assembly Fram Short	1	All	All
42	RA080012	U	Separator, Fuel Water Assembly Fram Long	1	All	All
42	RA080020	U	Separator, Fuel Water Assembly Racor	AR	AR	All
NI	R060045	U	Cover, Flame Arrester 9 1/2" x 9 1/2"	1	All	All
NI	R060050	U	Cover, Flame Arrester 10" x 28"	1	All	All
44	NPN		See Application {7.4, TBI, MPI, Etc.) For Details			

CARBURETOR & FUEL PUMP

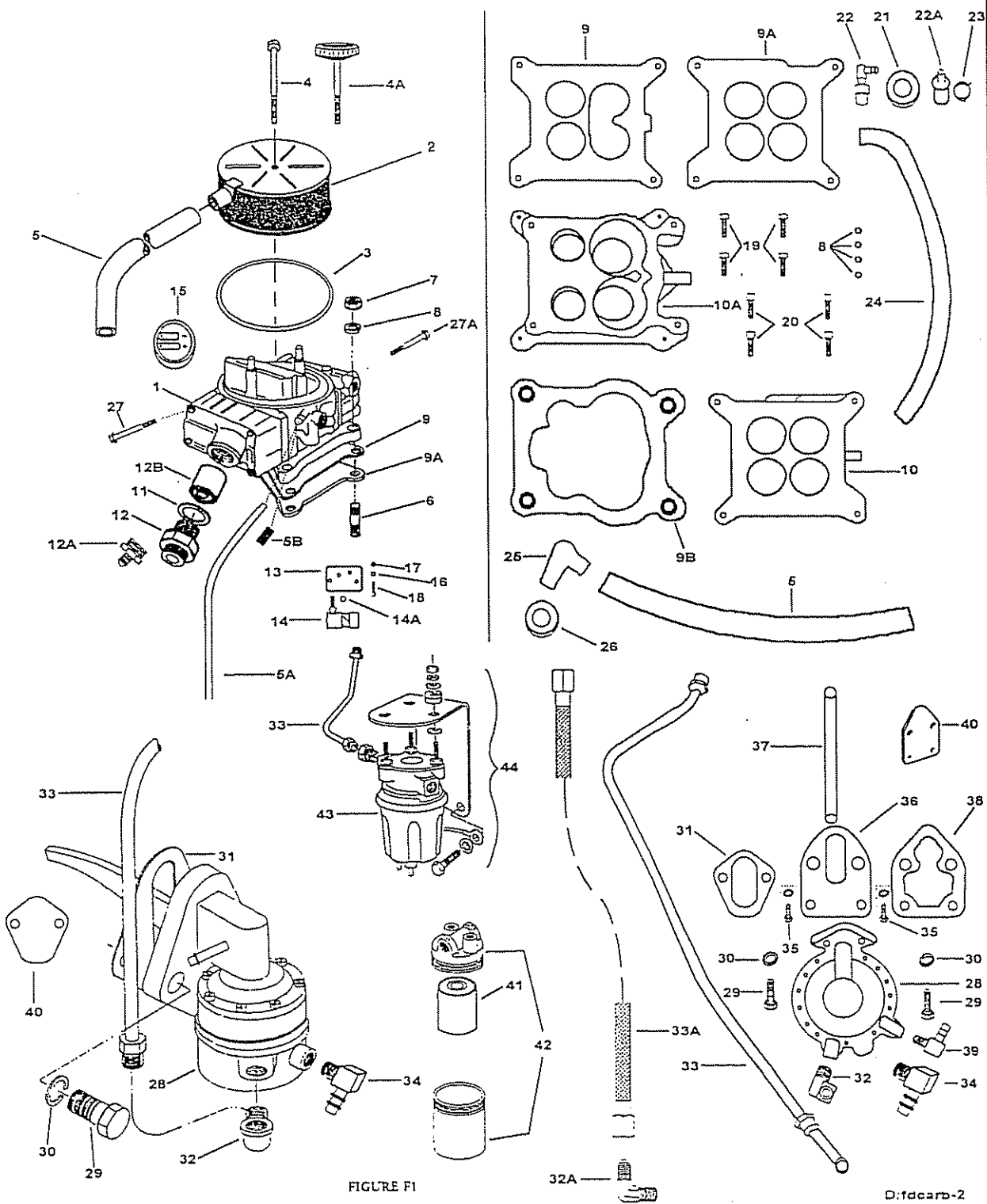


FIGURE F1

D:fdcard-2

PCM FUEL CONTROL CELL (FCC) AND FEED PUMP

REF NO.	PART NUMBER	CODE	DESCRIPTION	QTY	APP	ROT
1	RA121060	U	Harness, FCC to Engine Wiring (Includes Connector)	1	All	All
2	R079059	U	Head, FCC Mounting And Control	1	All	All
3	R045098	U	Hose, Fuel Pump To Head Connecting	1	All	All
4	R127087	U	Clamp, Hose Securing	2	All	All
5	RA080025A	U	Pump, Fuel {High Pressure In Bowl}	1	All	All
6	RP080026	U	Element, Fuel Filter	1	All	All
7	R089004	U	Bowl, Fuel Containing	1	All	All
8	R047214	U	"O" Ring, Bowl Sealing	1	All	All
NI	R017077	U	Nut, Drain Fitting Retaining	1	All	All
NI	RM0238	U	Gasket, Drain Fitting Sealing	1	All	All
NI	R024178	U	Fitting, Special Drain	1	All	All
NI	RS3554	U	Plug, Bowl Drain (Brass External Hex 1/8" NPT)	1	All	All
13	RA121061	U	Wire Assembly, Internals Connects Pump To Head Connections	2	All	All
NI	RA080025	U	FCC Assembly, Contains Items 1 Thru 13 (Assembled)	1	All	All
15	RS0302	U	Bolt, FCC To Bracket Mounting 3/8"-16 x 3/4"	3	All	All
16	RS0325	U	Bolt, Bracket To Block Mounting 7/16"-14 x 3/4"	2	5.8 And 7.4	All
16	RS0302	U	Bolt, Bracket To Block Mounting 3/8"-16 x 3/4"	2	5.7	All
17	R143112	U	Decal, Servicing Instruction 6" x 4"	1	All	All
18	R143113	U	Decal, PCM FCC P/N Identification 4" x 1 1/2"	1	All	All
NI	R143114	U	Decal, Fuel Leakage Warning 2" x 1 1/2"	1	All	All
19	R024163	U	Fitting, FCC Fuel Inlet From Low Pressure Pump 90°	1	All	All
19	R024197	U	Fitting, FCC Fuel Inlet From Low Pressure Pump 45°	1	NOTE 1	All
20	R024089	U	Fitting, Barbed Fuel Outlet Return To Fuel Tank 90°	1	All	All
21	R024175	U	Fitting, Straight Fuel Outlet And Inlet To & From Fuel Rail Or TBI	2	All	All
22	RS2180	U	Washer, Spring Lock 3/8"	3	All	All
22	RS2181	U	Washer, Spring Lock Bracket To Block Mounting 7/16"	2	5.8 And 7.4	All
47	RA035031	U	Valve, Schraeder Complete	1	All	All
NI	RA020028	U	Sender, Fuel Gauge With Fuel Return Fitting	1	All	All
NI	RK080025A	U	Kit, F.C.C. Fuel Pump Replacement	AR	All	All
			Contents include: 1 - R045098 Hose, 1 - R047214 "O" Ring, 1 - R080026 Fuel Filter, 2 - R127087 Clamps, and 1 - Fuel Pump			

NOTE 1 : Optional and Used on 5.0/5.7 Liter Infinity Engines Only

ELECTRIC FUEL DELIVERY PUMP

20	R024089	U	Fitting, Barbed Fuel Inlet To Low Pressure Fuel Pump	1	All	All
23	RA080018	U	Pump, Electric Fuel Delivery	1	All	All
24	R094035	U	Grommet, Low Pressure Pump Isolating	3	All	All
25	RS1521	U	Nut, Steel Pump Mounting # 10-32	3	All	All
26	R127061	U	Retainer, Wires To Pump Terminals (Pre-1998 Engines)	1	All	All
27	R096141	U	Washer, Flat Lower Grommet Securing	3	All	All
28	R096142	U	Washer, Flat Upper Grommet Securing	3	All	All
29	RS2458	U	Washer, Lock Internal Shakeproof # 10	3	All	All

FORD BRACKETS AND FUEL LINES

30	R090175	F	Bracket, Low Pressure Fuel Pump Mounting (Standard Riser)	1	All GT40 SR	All
31	R090176	F	Bracket, FCC Canister Mounting (Standard Riser)	1	All GT40 SR	All
32	R090181	F	Bracket, FCC And Feed Pump Mounting (Reverse Riser)	1	All GT40 RR	All
33	R090209	F	Bracket, FCC & Feed Pump Mounting (Rev. Riser & Fresh Water Cooling)	1	GT40RR	All
34	RA085062	F	Fuel Line, Feed Pump (Low Pressure Feed) To FCC Inlet	1	All GT40	All
35	RA085063	F	Fuel Line, FCC To Fuel Rail Inlet (High Pressure Feed Std. Riser)	1	All GT40 SR	All
35	RA085064	F	Fuel Line, Fuel Rail Outlet To FCC Inlet (Standard Riser)	1	All GT40 SR	All
36	RA085067	F	Fuel Line, FCC To Fuel Rail Inlet (High Pressure Feed Rev. Riser)	1	All GT40 RR	All
36	RA085068	F	Fuel Line, Fuel Rail Outlet To FCC Inlet (Reverse Risers)	1	All GT40 RR	All

GM BRACKETS AND FUEL LINES

34	RA085062	GM	Fuel Line, Feed Pump (Low Pressure Feed) To FCC Inlet	1	All 5.7	All
37	R090180	GM	Bracket, Feed Pump Mounting	1	All 5.7	All
38	R090215	GM	Bracket, Feed Pump Mounting	1	7.4 MPI	All
39	R090188	GM	Bracket, FCC Mounting Fresh Water {Antifreeze; Cooling	1	5.7 TBI	All
40	R090179	GM	Bracket, FCC Mounting Standard Sea Water Cooling	1	5.7 TBI	All
41	R090196	GM	Bracket, FCC Mounting Standard Sea Water Cooling	1	7.4 TBI	All
42	R090195	GM	Bracket, FCC Mounting Fresh Water {Antifreeze; Cooling	1	7.4 TBI	All
43	R090204	GM	Bracket, FCC Mounting Vee Drive Applications	1	5.7 TBI	All
44	RA085065	GM	Fuel Line, FCC To TBI Inlet (High Pressure Feed Standard Riser)	1	5.7 TBI	All

THE ILLUSTRATION FOR REFERENCE NUMBERS ON THIS PAGE WILL BE FOUND ON FIGURE F2

PCM FUEL CONTROL CELL (FCC)

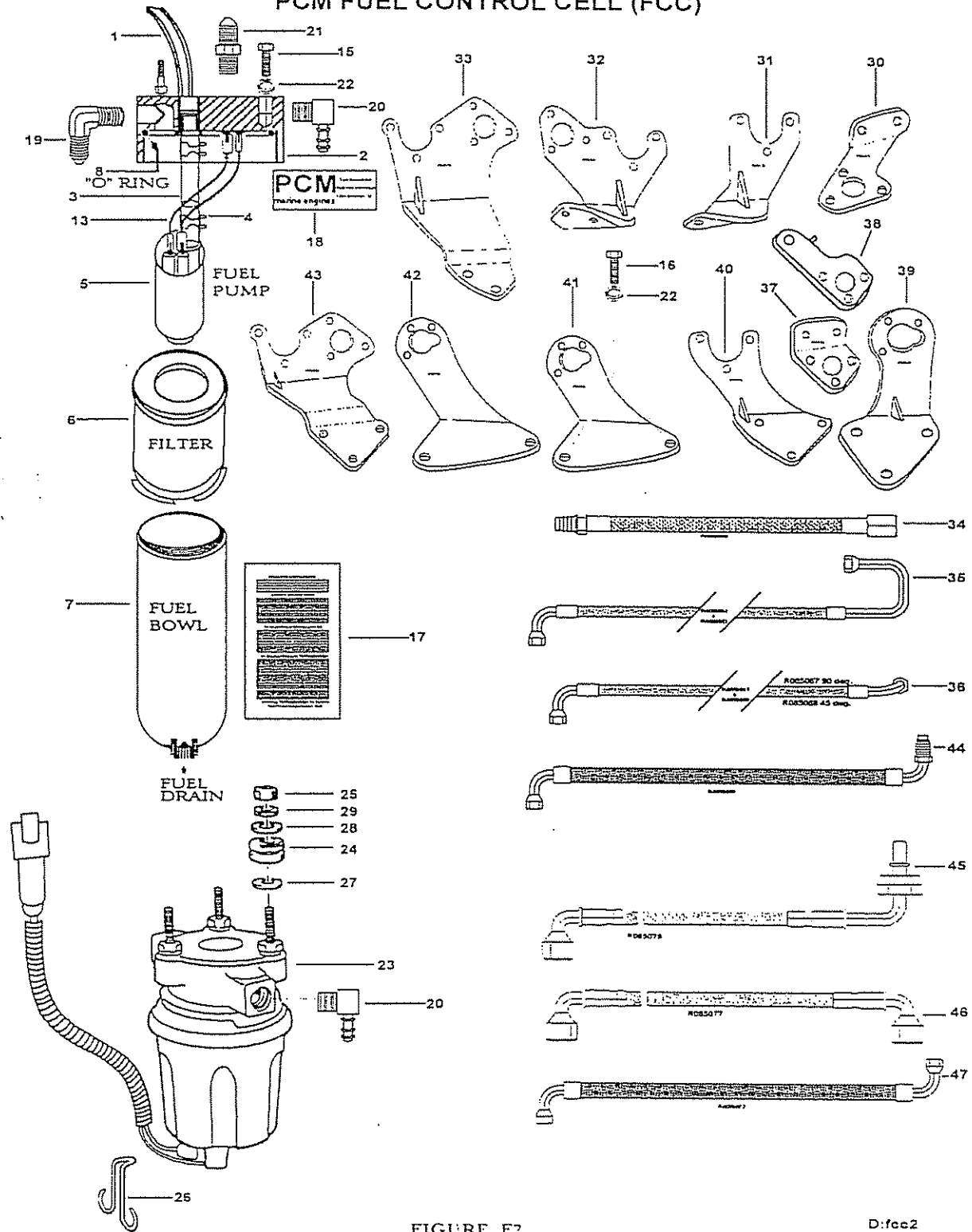


FIGURE F2

D:fcc2

PCM FUEL CONTROL CELL (FCC) AND FEED PUMP

REF NO.	PART NUMBER	CODE	DESCRIPTION	QTY	APP	ROT
44	RA085066	GM	Fuel Line, TBI To FCC (Return Standard Riser)	1	5.7 TBI	All
44A	R047215	GM	O-ring, 5/16" Saginaw fitting, Inlet to TBI	1	All TBI	All
44B	R047216	GM	Oring, 3/8" Saginaw fitting, Outlet from TBI	1	All TBI	All
45	RA085073	GM	Fuel Line, Fuel Rail Outlet To FCC Inlet (Standard Riser)	1	All Apex	All
45	RA085077	GM	Fuel Line, Fuel Rail Outlet To FCC Inlet (Reverse Risers)	1	All Apex	All
46	RA085076	GM	Fuel Line, FCC To Fuel Rail Inlet (High Pressure Feed Rev. Riser)	1	All Apex	All
48	RA085072	GM	Fuel Line, FCC To Fuel Rail Inlet (High Pressure Feed Std Riser)	1	All Apex	All
NI	RA085078	GM	Fuel Line, FCC To Fuel Rail Inlet (High Pressure Feed Std. Riser)	1	7.4 MPI	All
NI	RA085079	GM	Fuel Line, Fuel Rail Outlet To FCC Inlet (Standard Riser)	1	7.4 MPI	All

PCM FUEL CONTROL CELL (FCC)

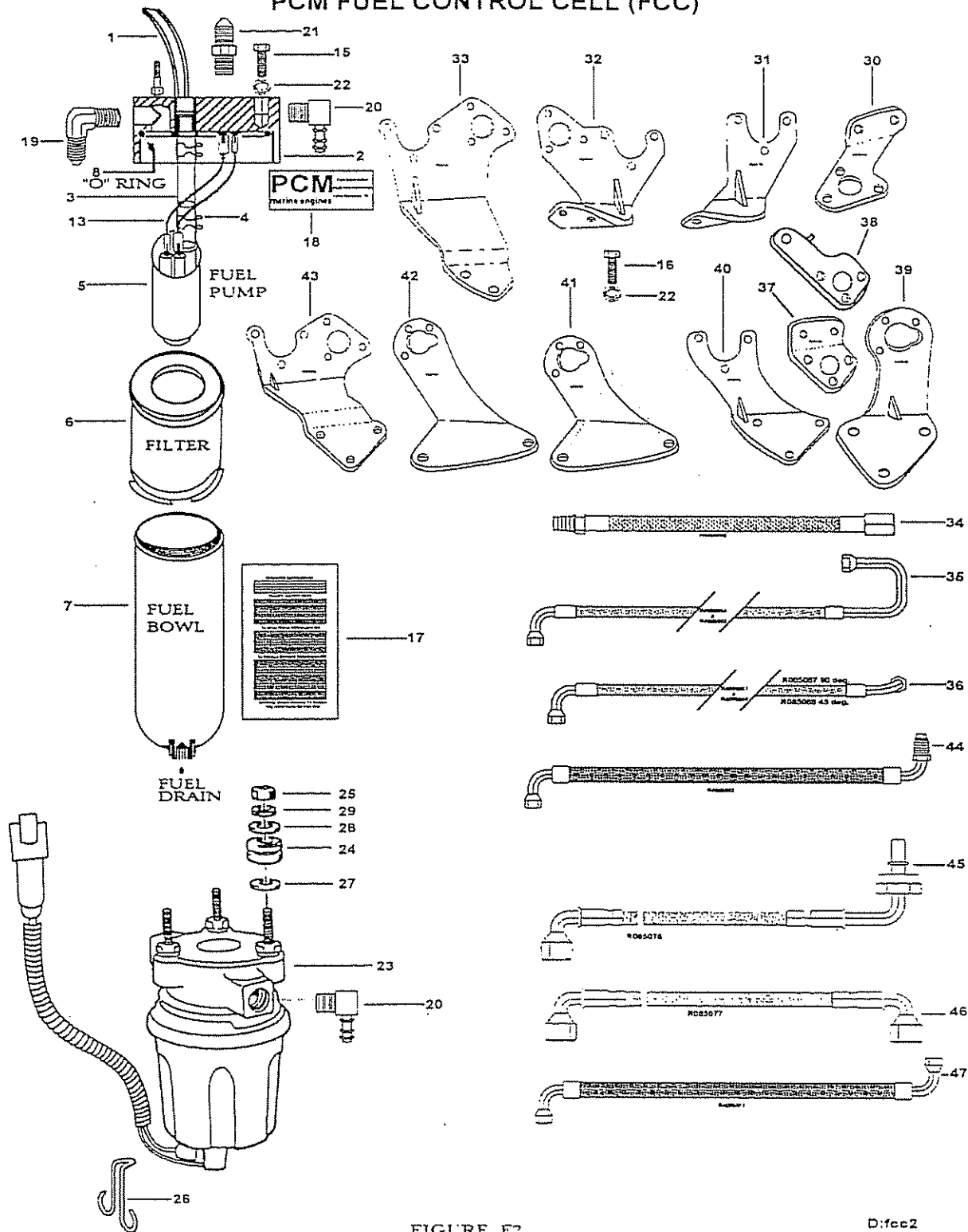


FIGURE F2

D:fcc2

FORD GT40 UPPER INTAKE MANIFOLD

REF NO.	PART NUMBER	CODE	DESCRIPTION	QTY	APP	ROT
1	R035023	F	Valve, PCV	1	GT40	All
2	R143083	F	Decal, Engine Specification	1	GT40	All
3	R024159	U	Elbow, Brass 90° Intake To PCV Hose	1	GT40	All
4	RS2746	U	Washer, Flat Steel Plated #10	2	GT40	All
5	R009146	F	Screw, TFI Heatsink To Bracket Attach	2	GT40	All
6	RS2179	U	Washer, Spring Lock # 10	2	GT40	All
7	RS1021	U	Nut, Hex #10 X 24 Plated	2	GT40	All
8	R009153	U	Screw, "E" Coil To Bracket Attaching	2	GT40	All
9	R127064	U	Clamp, MAP Hose 1/4" Hose	2	GT40	All
10	R127063	U	Clamp, Hose Fuel Reg. 1/8" Hose	2	GT40	All
11	R127064	U	Clamp, MAP Hose To Filter 1/4" Hose	2	GT40	All
13	RA035029	F	Valve, Air Throttle Body Assembly {65 MM}	1	GT40	All
14	RS1568	U	Nut, Ball Joint Connector Attaching	1	GT40	All
15	R178003	U	Ball Joint, Throttle Cable Connecting	1	GT40	All
16	RS5122	U	Bolt, Throttle Arm Extension # 10-32 x 5/8" (Early Production)	1	GT40	All
NI	R096140	U	Washer, Flat Fender-Type Throttle Arm Extension {Late Production}	2	GT40	All
NI	R082063	U	Rivet, Pop Style .190" OD x .425" Long {Later Production}	1	GT40	All
17	R079058	F	Adaptor, Air Bypass Valve To Throttle Body	1	GT40	All
18	RM0234	F	Gasket, Air Bypass Valve	1	GT40	All
20	R009148	F	Screw, Hex Washer Head Air Bypass Valve	2	GT40	All
21	RS1521N	U	Nut, Throttle Arm Attaching # 10-32 Nylock (Early Production)	1	GT40	All
22	R090170	F	Bracket, Throttle Arm Extension	1	GT40	All
NI	RK090170	F	Kit, Throttle Arm Extension Bracket	1	GT40	All
23	R009147	F	Screw, Throttle Position Sensor Attaching	2	GT40	All
24	RM0234	F	Gasket, Air Bypass Valve	1	GT40	All
25	R009148	F	Screw, Hex Washer Head Air Bypass Valve	2	GT40	All
27	R127066	F	Clip, TPS Connector Securing	1	GT40	All
29	R020026	F	Sensor, Throttle Position (TPS)	1	GT40	All
30	R094034	F	Grommet, PCV Valve	1	GT40	All
31	R077009	F	Filter, PCV Valve	1	GT40	All
33	R035030	F	Valve, Throttle Air Bypass (ABP)	1	GT40	All
34	R077007	F	Filter, Air Bypass Noise	1	GT40	All
35	R045088	U	Hose, Filter to MAP Sensor 7/32" x 15" Long	1	GT40	All
36	R045088	U	Hose, Intake to MAP Filter 7/32" x 10" Long	1	GT40	All
38	R077008	F	Filter, MAP Vacuum Circuit Fuel Vapor	1	GT40	All
40	RS3677	U	Bushing, 3/8 Male NPT to 1/8 Female NPT	1	GT40	All
41	R009151	F	Bolt, 5/16" 18 X 6.07" Long Washer Head	2	GT40	All
43	R045089	F	Hose, Valve Cover to Flame Arrestor	1	GT40	All
44	R090168	F	Bracket, TFI To Coil Mounting	1	GT40	All
46	R094033	F	Grommet, Flame Arrestor Sealing	1	GT40	All
47	R127068	F	Clamp, Flame Arrestor	1	GT40	All
48	R045087	U	Hose, Fuel Pressure Regulator 3/16"x 7 1/2" Long	1	GT40	All
50	RM0235	F	Gasket, Throttle Body To Intake Manifold	2	GT40	All
51	RM0235	F	Gasket, Throttle Body To Intake Manifold	1	GT40	All
52	R002013	F	Manifold, Cast Intake Upper {SEE NOTE *}	1	GT40	All
53	RS0283	U	Bolt, Throttle Body to Upper Intake 5/16"-18 x 1 1/4"	4	GT40	All
55	R024109	U	Fitting, Brass Barb 1/4" MAP Hose Early Production	1	GT40	All
55 & 56	R024160	U	Fitting, Brass Barb For 3/16" Pressure Regulator Hose & Map	1	GT40	All
57	R045049	F	Hose, PCV Valve	1	GT40	All
59	RA116011	F	Module, Thick Film Ignition Assembly (Includes 5, 60, 61, and 62)	1	GT40	All
60	R134069	F	Housing, TFI Module (Heat Sink)	1	GT40	All
61	R009156	U	Screw, Attaching TFI Module To Heat Sink	2	GT40	All
62	RA116011	F	Module, Thick Film Ignition	1	GT40	All
63	R145016	F	Flame Arrestor	1	GT40	All
64	R117008	F	"E" Coil, Ignition	1	GT40	All
65	R009152	F	Bolt, 5/16" 18 X 1.62" Long HHCS	2	GT40	All
66	R060054	F	Cover, Decorative	1	GT40 Thru :998	All
66A	R060054A	F	Cover, Decorative	1	GT40 1999 On	All
67	R009154	U	Screw, Flame Arrestor Clamp	2	GT40	All
68	R143090	U	Decal, Warning Flame Arrestor	1	GT40	All
70	RM0236	F	Gasket, Intake Manifold Upper To Lower	1	GT40	All
71	R009150	F	Screw, Upper to Lower 5/16" 18 X 6.78" Long Washer Head	2	GT40	All
72	R009155	U	Screw, Decorative Cover Attaching	2	GT40	All
75	R020025	F	Sensor, Map	1	GT40	All
76	RS5115	U	Screw, Self Tapping #10-24 x 3/4"	2	GT40	All
78	R024158	U	Cap, Unused Upper Intake Vacuum Port	1	GT40	All
79	R127064	U	Clamp, Intake Vacuum Port Cap Bottom	1	GT40	All
80	R143086	F	Decal, "PRO BOSS GT-40" Side of Cover	1	GT40 Thru :998	All
80	R143086A	F	Decal, "PRO BOSS GT-40" Side of Cover	1	GT40 1999 On	All
81	R143084	F	Decal, "PRO BOSS GT40" Top of Cover	1	GT40 Thru :998	All
82	R143084A	F	Decal, "PCM 5.8 HO MULTIPOINT FUEL INJECTION" Top of Cover	1	GT40 1999 On	All

*NOTE! Some GT40 Engines Were Made With A Tubular Fabricated Upper Intake Manifold Which Is No Longer Available. Replace That Manifold With P/N R002013 Along With 2 P/N R009150 Or R009151 As Necessary.

Ford GT-40 Upper Intake Manifold

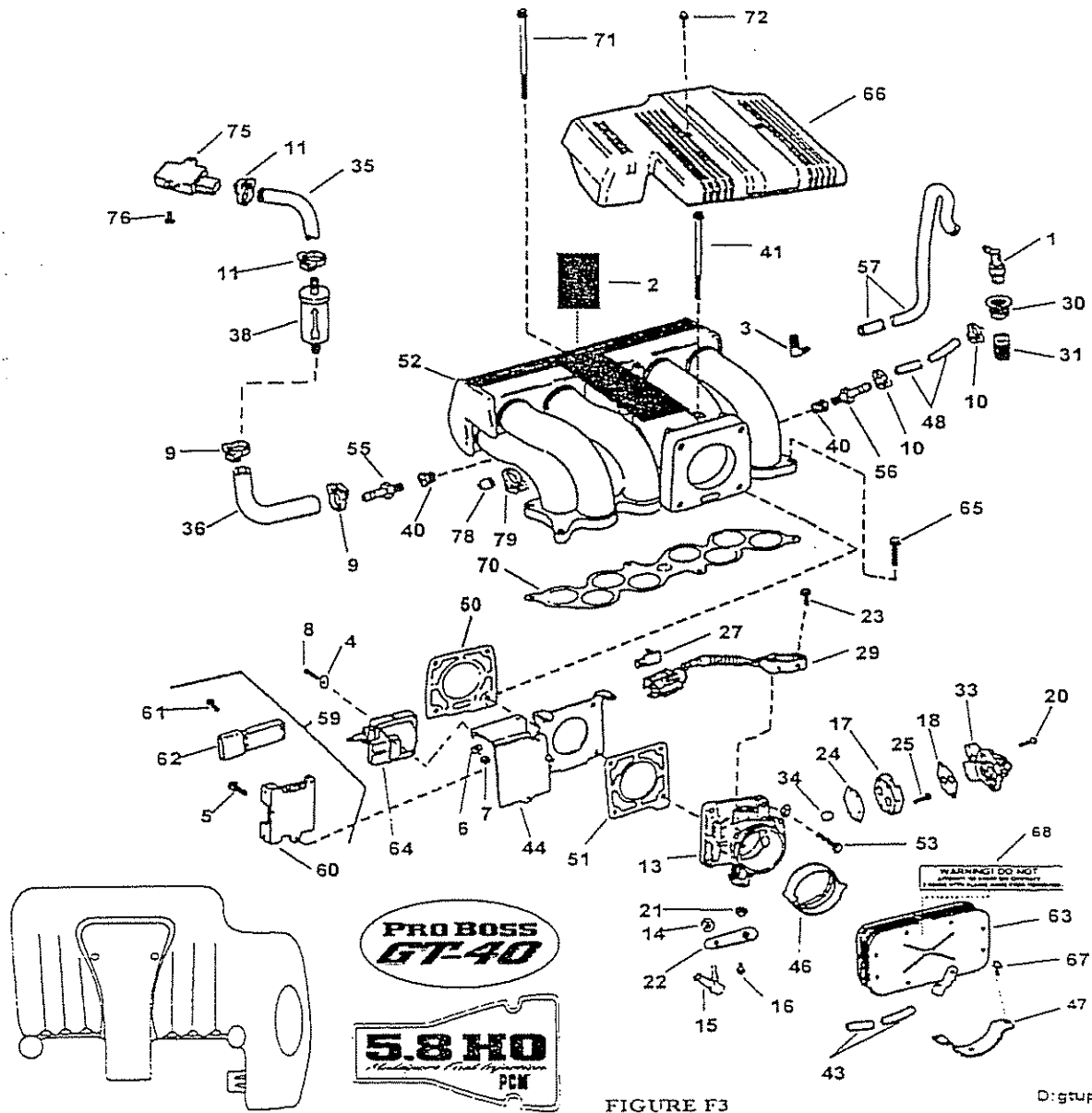


FIGURE F3

D:gtuprman

FORD GT40 LOWER INTAKE MANIFOLD AND DISTRIBUTOR

REF NO.	PART NUMBER	CODE	DESCRIPTION	QTY	APP	ROT
1	RA107040	F	Distributor; Complete Assembly Items 1 Thru 7	1	5.8 GT40	LH
2	R103009	F	Rotor; Distributor	1	5.8 GT40	All
3	R079057	F	Adapter, Distributor Base	1	5.8 GT40	All
4	R105002	F	Stator, Assembly (Distributor)	1	5.8 GT40	All
5	R047122	F	"O" Ring, Distributor	1	5.8 GT40	All
6	RA108007	F	Cap, Distributor	1	5.8 GT40	All
7	R113030	F	Gear, Kit Distributor Drive	1	5.8 GT40	LH
8	R126013	F	Shield, Rubber for Distributor	1	5.8 GT40	All
9	R020022	F	Sensor, Knock	1	5.8 GT40	All
10	R127062	F	Separator, Ignition Wire	2	5.8 GT40	All
12	RA120016	F	Wire, Coil Special	1	5.8 GT40	All
13	RK120015	F	Kit, Spark Plug Wire Includes Wires For 8 Cylinders & Ignition Coil	1	5.8 GT40	All
14	R024061	U	Fitting, Low Pressure Fuel Pump in (4 Barb) See NOTE*	1	5.8 GT40	All
15	RA080018	U	Pump, Fuel Low Pressure	1	5.8 GT40	All
16	R094031	U	Grommet, Wire Harness Through Bracket See NOTE*	1	5.8 GT40	All
17	R024163	F	Fitting, Low Pressure Pump Outlet See NOTE*	1	5.8 GT40	All
18	RA085060	F	Line, Fuel Return See NOTE*	1	5.8 GT40	All
20	RA085059	F	Line, Fuel High Pressure Pump to Rail See NOTE*	1	5.8 GT40	All
21	R127065	U	Clamp, 5/16" Fuel Line to Block See NOTE*	1	5.8 GT40	All
22	R127036	U	Clamp, Wire Harness to Valve Cover	2	5.8 GT40	All
23	R024145	U	Fitting, "T" Adapter Oil Press Switch	1	5.8 GT40	All
24	R020015	U	Switch, Low Oil Pressure	1	5.8 GT40	All
25	R020014A	U	Switch, Water Temp 210 Deg F (1/2" NPT)	1	5.8 GT40	All
26	R024165	F	Fitting, Connecting Low to High Pressure See NOTE*	1	5.8 GT40	All
27	R024168	F	Fitting, High Pressure Fuel Pump Inlet See NOTE*	1	5.8 GT40	All
28	R020023	F	Sensor, Air Temperature	1	5.8 GT40	All
29	R047211	F	"O" Ring, Inlet Fitting See NOTE*	2	5.8 GT40	All
30	RA080023	F	Pump, High Pressure Fuel (Bypass Style) See NOTE*	1	5.8 GT40	All
31	R094029	F	Grommet, Top of Fuel Pump See NOTE*	1	5.8 GT40	All
31A	R094029A	F	Spacer, Electrical Connector Tensioning See NOTE*	1	5.8 GT40	All
32	R090172	F	Bracket, GT40 Fuel Pump Mounting See NOTE*	1	5.8 GT40	All
33	R127038A	U	Wire Ties, Injector Harness Securing	4	5.8 GT40	All
34	R047207	F	"O" Ring, Top Fuel Pump Fitting See NOTE*	1	5.8 GT40	All
35	R024161	F	Fitting, Top of High Pressure Fuel Pump See NOTE*	1	5.8 GT40	All
36	R002014	F	Manifold, Intake Lower	1	5.8 GT40	All
37	R024162	F	Fitting, Steel, Straight Thread Swivel See NOTE*	1	5.8 GT40	All
38	RA045090	F	Line, Fuel Bypass See * NOTE*	1	5.8 GT40	All
39	R024164	U	Fitting, Fuel Bypass Hose to "T" Fitting See NOTE*	1	5.8 GT40	All
40	R024103	U	Fitting, Barbed "T" Fitting to Return (1 Barb) See NOTE*	1	5.8 GT40	All
41	R024167	U	Fitting, "T" Connector See NOTE*	1	5.8 GT40	All
42	R024166	U	Fitting, Return Line to "T" Fitting See NOTE*	1	5.8 GT40	All
43	RS0325	U	Bolt, Fuel Return Line Clamp Attaching 7/16"-14 x 3/4" See NOTE*	1	5.8 GT40	All
47	RN0154	F	Injector, Fuel (24 Lb. Per Hr.)	8	5.8 GT40	All
48	R047210	F	"O" Ring, Injector Sealing	16	5.8 GT40	All
48	RK047210	F	"O" Ring, Injector Sealing Package Of 10 Pieces	AR	5.8 GT40	All
59	RA085061	F	Fuel Rail, Assy.	1	5.8 GT40	All
60	RA035027	F	Regulator, Fuel Pressure	1	5.8 GT40	All
61	RM0233	F	Gasket, Pressure Regulator	1	5.8 GT40	All
62	R047209	F	"O" Ring, Fuel Pressure Regulator	1	5.8 GT40	All
63	R009149	F	Screw, Pressure Regulator Attaching	3	5.8 GT40	All
64	RA035028	F	Valve, Fuel Rail Schrader	1	5.8 GT40	All
65	R034041	F	Cap, Schrader Valve	1	5.8 GT40	All
69	R020024	F	Sensor, Water Temperature	1	5.8 GT40	All
70	R009157	F	Screw, Fuel Rail to Intake Attaching	4	5.8 GT40	All
72	RA121051	F	Harness, Wiring GT40 Injectors	1	5.8 GT40	All
73	R090171	F	Bracket, Throttle Cable Anchor Support	1	5.8 GT40	All
74	R090086	U	Retainer, Throttle Cable Anchor	1	5.8 GT40	All
75	RS5122	U	Screw, Cable Clamp to Throttle Bracket # 10-32 x 5/8"	2	5.8 GT40	All
76	RS1521N	U	Nut, Cable Clamp to Throttle Bracket # 10-32 Nylock	2	5.8 GT40	All
80	R080024	U	Filter, Fuel See NOTE*	1	5.8 GT40	All
NI	RK173061	U	Kit, Fuel Pump Hardware To Mount RA080018 To Bracket	1	5.8 GT40	All
NI	RK090171	U	Kit, Throttle Cable Bracket Assembly	1	5.8 GT40	All

* NOTE This part is used on engines that ARE NOT equipped with a Fuel Control Cell. For parts used with a FCC see Page F2-1

FORD GT-40 LOWER INTAKE MANIFOLD

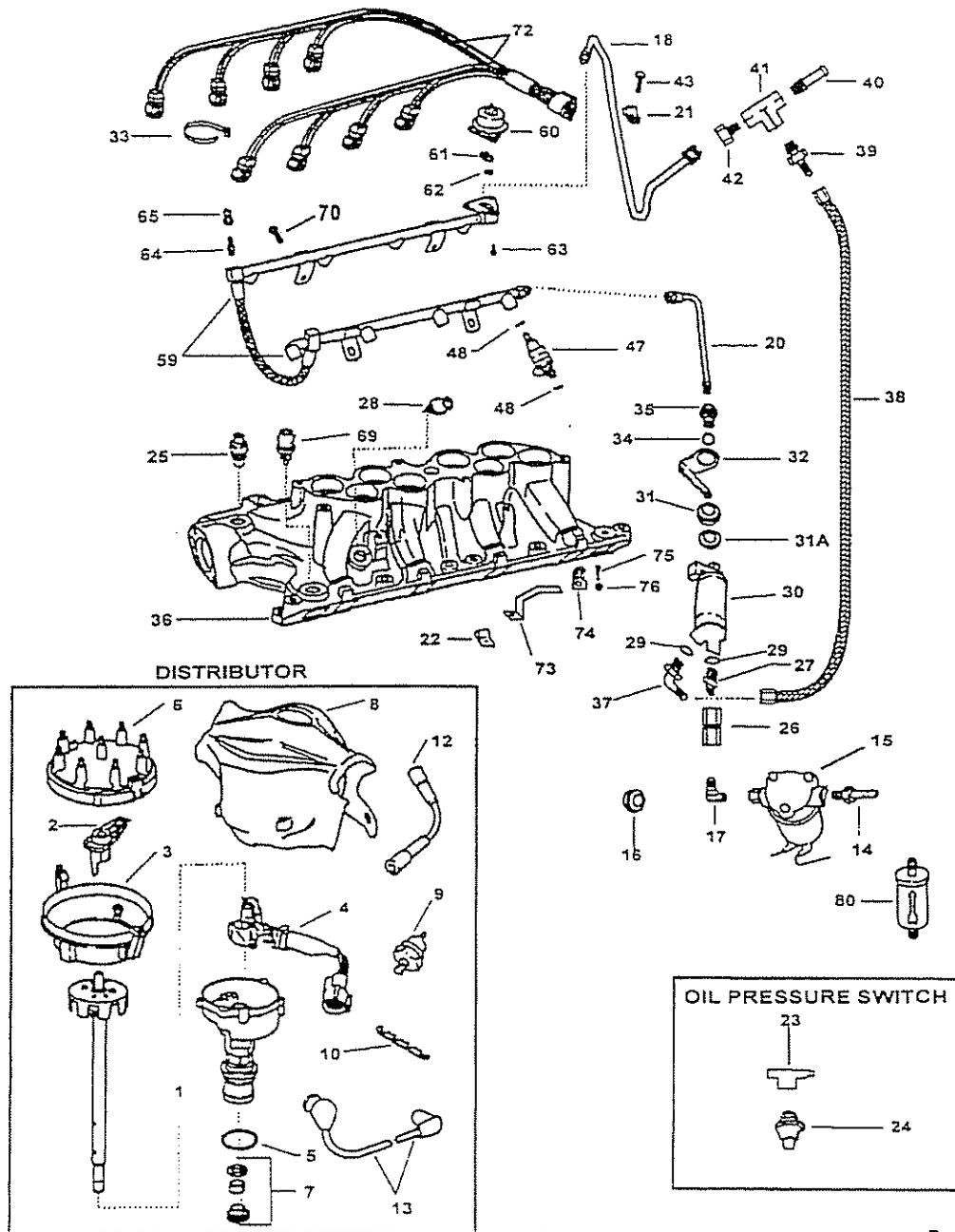
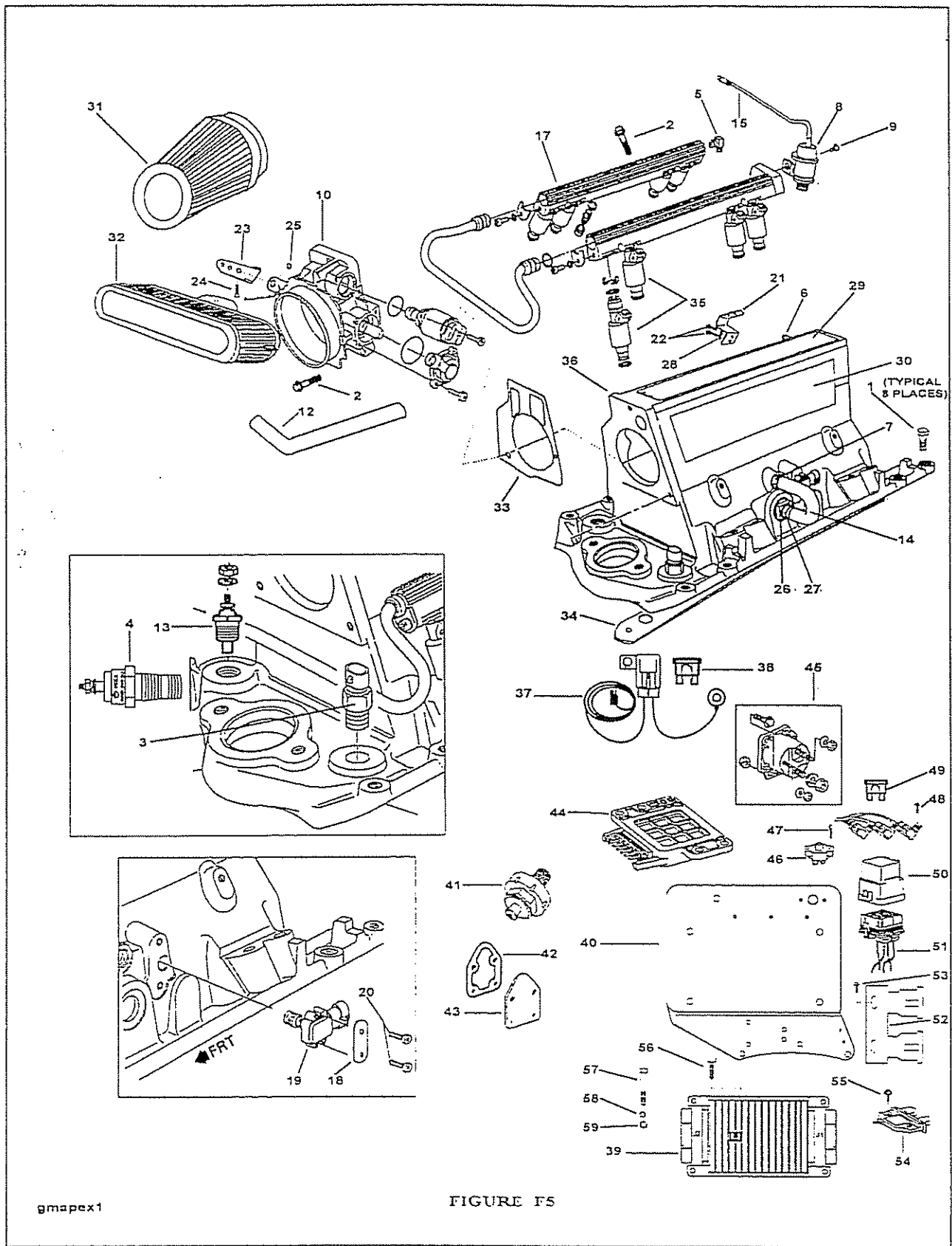


FIGURE F4

D:gtlwrman

GM 5.7 GEN 1E "APEX" MPI

REF NO.	PART NUMBER	CODE	DESCRIPTION	QTY	APP	ROT
1	R009180	GM	Bolt, 1/2" Hex Washer Head 5/16 - 18 x 1 3/4" With 1/4" Pilot Un-threaded Pilot. Cad Plated with Sealer Applied to Threads.	8	GEN 1E	All
2	R009179	GM	Bolt, M8 Hex Washer Head M6 - 1 x 1.195" Black Anodized	7	GEN 1E	All
3	R020019	GM	Sender, Water Temperature {ECT}	1	GEN 1E	All
4	R020014A	GM	Switch, Water Temperature	1	GEN 1E	All
5	R024186	GM	Fitting, Male Elbow 3/8" Male NPT x 5/16" SAE 45° Flare Fuel Rail Fitting	1	GEN 1E	All
6	R024189	GM	Fitting, Vacuum Steel 1/4" NPT-1/2" Hex .175" O.D. .110" ID Tube With Barb .700" Long. Pressure Reg. Sealer Applied to Threads.	1	GEN 1E	All
7	R024190	GM	Fitting, Vacuum Steel 1/4" NPT-1/2" Hex .375" OD Tube With Barb.250" ID .730" Long. Sealer Applied To Threads And 1/4" Long 3/8" OD Pilot On Threaded End	1	GEN 1E	All
8	RA035035	GM	Valve, Pressure Regulator (43 PSI)	1	GEN 1E	All
9	R009131	GM	Bolt, Pressure Regulator Securing M6 x 12MM	1	GEN 1E	All
10	RA035036	GM	Valve, Throttle Body Assembly	1	GEN 1E	All
11	R045108	GM	Hose, 5.7 Natural Crankcase Vent {Cut to Fit}	2	GEN 1E	All
12	Not Used					
13	R020003	U	Sender, Temperature Gauge	1	GEN 1E	All
14	R045111	GM	Hose, Molded Intake To PCV Valve	1	GEN 1E	All
15	R085074	GM	Line, Vacuum From Intake Fitting To Pressure Regulator Plastic Tube With 90° Rubber Ends	1	GEN 1E	All
NI	R009178	GM	Bolt, 3/8" Hex Washer Head 1/4" - 20 x 1/2" Black Anodized.	2	GEN 1E	All
17	RA085075	GM	Rail, Assembly Fuel	1	GEN 1E	All
18	R090197	GM	Bracket, Map Sensor Securing	1	GEN 1E	All
19	R020031	GM	Sensor, Map	1	GEN 1E	All
20	R009171	GM	Bolt, M4-.7 x 30 Stainless Steel Socket Head Cap Screw, Map Sensor Bracket To Intake Manifold Attach	4	GEN 1E	All
21	R090198	GM	Bracket, Throttle Cable Retaining.	1	GEN 1E	All
22	R009172	GM	Bolt, M 6 x 16 Stainless Hex Head Cap Screw Throttle Bracket to Intake Manifold. Attaching	2	GEN 1E	All
23	R090199	GM	Bracket, Throttle Arm Extension	1	GEN 1E	All
24	RS5122	U	Bolt, HH #10-32 x 5/8", Throttle Arm Extension Attaching	2	GEN 1E	All
25	RS2055	U	Nut, HH # 10-32	2	GEN 1E	All
26	R094036	GM	Grommet, PCV Valve	1	GEN 1E	All
27	R035037	GM	Valve, Positive Crankcase Ventilation	1	GEN 1E	All
28	R096143	GM	Washer, Flat, M 6 ID Stainless Steel, Used with R009172 to Attach Throttle Bracket to Intake Manifold.	1	GEN 1E	All
NI	RA121067	GM	Harness, Engine Wiring Connects To PCM Harness P/N RA121063	1	GEN 1E	All
NI	R143078GLD	GM	Decal, "PCM Marine Engine" On Small Block Manifolds Dress Up Gold Letters, To Cover Cast In Letters.	2	GEN 1E	All
29	R143116	GM	Decal, "PCM 5.7 MPI" Gold Letters With Black Background 14 3/8" Long x 2 1/8" Wide	2	GEN 1E	All
30	R143119	GM	Decal, Light Blue "Apex" and Gold "Multiport Fuel Injection" 12" Long x 3 1/4" Wide; Black Background	1	GEN 1E	All
31	R145019	GM	Flame Arrestor And Air Filter, 3 3/4" Flange, 6" x 5.25" For use on Fresh Water Cooled Apex Engines	1	GEN 1E FWC	All
32	R145020	GM	Flame Arrestor And Air Filter 3 3/4" Flange, 9" x 5.150" For use on Raw Water Cooled Apex Engines	1	GEN 1E RWC	All
33	RM0251	GM	Gasket, Throttle Body To Intake Manifold	1	GEN 1E	All
34	RM0250	GM	Gasket, Intake Manifold To Cylinder Head.	2	GEN 1E	All
35	RN0171	GM	Injector, GM 5.7 MPI	8	GEN 1E	All
36	R002016	GM	Manifold, Intake Aluminum And Bronze {CK And MK MPEFI}	1	GEN 1E	All
37	R121047A	GM	Harness, Fused (40 Amp) Constant Power Feed {Batt. Connection}	1	AR	All
38	R153015	U	Fuse, 40 Amp Blade Type	1	AR	All
39	R116013B	GM	Module, Main Processor (ECM) Red ID Color {1996-1998}(MPI)	1	GEN 1E	All
39	R116013A	GM	Module, Main Processor (ECM) Blue ID Color {Thru 1998}(TBI)	1	5.7 Std & GEN 1E	All
39	R116013C	GM	Module, Main Processor (ECM) White ID Color	1	7.4 EFI	All
39	R116013D	GM	Module, Main Processor (ECM) Gold ID Color	1	L29 7.4 MPI	All
39	R116017C	GM	Module, Main Processor (ECM) {1999 & Later}	1	7.4/8.2 MPI	All
39A	R116017B	GM	Module, Main Processor (ECM) {1999 On}	1	GEN 1E	All
NI	R060055	GM	Cover, ECM (1999 On)	1	GEN 1E	All

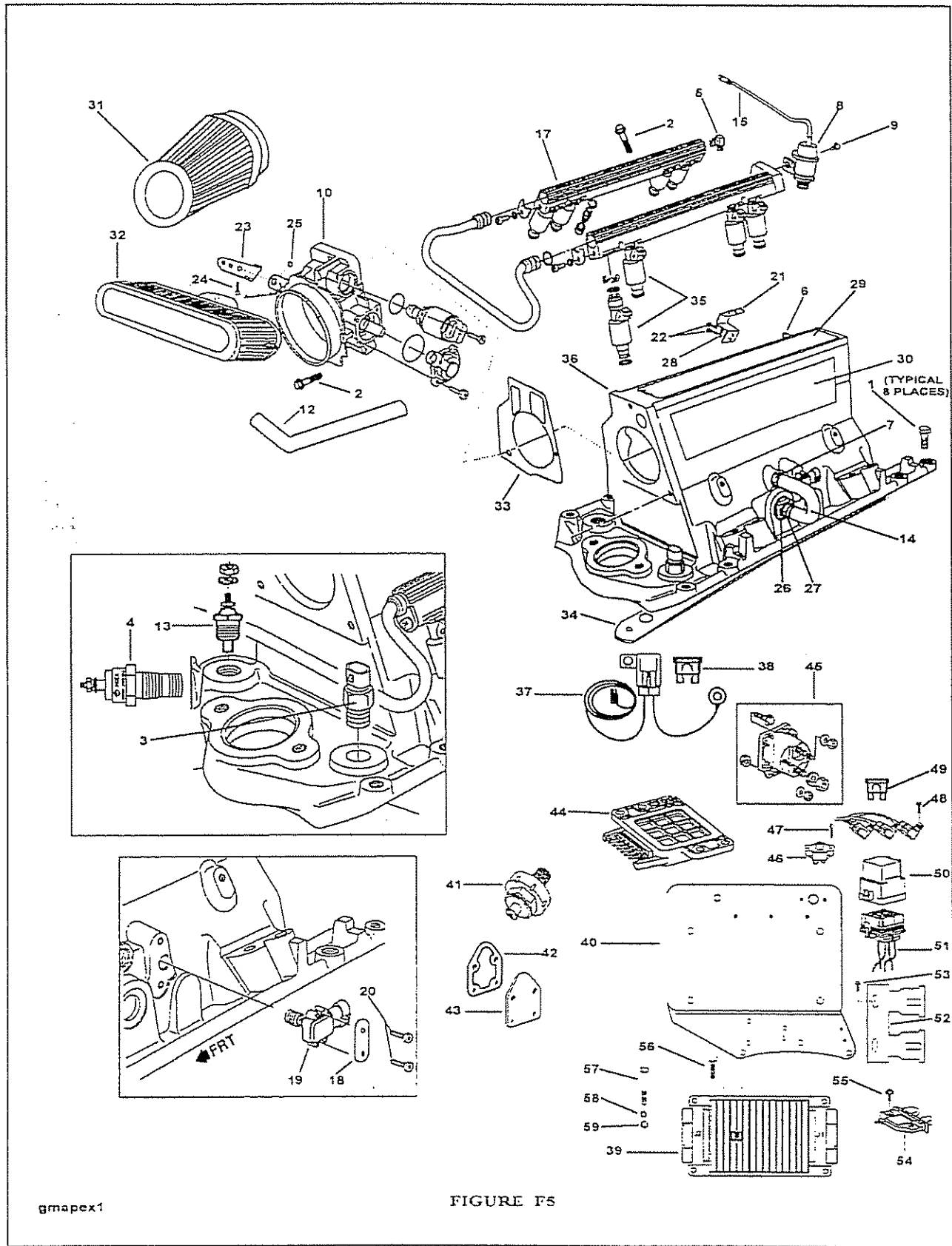


gmapex1

FIGURE F5

GM 5.7 GEN 1E "APEX" MPI

REF NO.	PART NUMBER	CODE	DESCRIPTION	QTY	APP	ROT
39A	R116017B	GM	Module, Main Processor (ECM) (1999 On)	1	GEN 1E	All
NI	R060055	GM	Cover, ECM (1999 On)	1	GEN 1E	All
40	R090182	GM	Bracket, ECM And Relay Mounting	1	All EFI Before 1999	All
40	R090182A	GM	Bracket, ECM And Relay Mounting	1	EFI 1999 On	All
41	R020027	GM	Sensor, Knock	1	5.7 EFI	A
41	R020029	GM	Sensor, Knock	1	7.4 EFI	All
42	RM0122	U	Gasket, Fuel Pump Plate To Block	1	5.7	All
43	R109047	U	Plate, Fuel Pump Block Mounting Hole Cover	1	5.7	All
44	R116012	GM	Module, Knock	1	All EFI	All
45	R130001	U	Relay, Starter (See Page No. E5 For Details)	1	All	All
46	R153007	U	Breaker, Circuit Ignition 12.5 Amp	1	All	All
47	RS5084	U	Screw, #8 - 32x 3/4"	2	All	All
48	RS5126	U	Screw, Self-Tapping #10 - 24 x 5/8"	2	All EFI	All
49	NPN	U	Fuse, 15 Amp (Acquire Locally)	1	All EFI	All
50	R130012	GM	Relay, System And Fuel Pump	2	All EFI	All
51	RA121064	GM	Harness, Fuel Injection Section	1	All EFI Before 1999	All
51	RA21067A	GM	Harness, Fuel Injection Section	1	1999 On MPI	All
52	R090184	GM	Bracket, Relay Mounting	1	All EFI	All
53	RS5126	U	Screw, Hex Head with Slot, Self Tapping #10 - 24 x 5/8"	2	All	All
54	R116014	GM	Module, Ignition Control In Delco Distributor	1	5.7	All
54	R116015	GM	Module, Ignition Control In Delco Distributor	1	7.4	All
55	NEED P/N	GM	Bolt, Distributor Module Attaching	2	All	All
56	RS0280	U	Bolt, ECM And Relay Bracket Mounting 5/16" - 18 x 3/4"	2	All	All
57	RS0258	U	Bolt, Hex Head 1/4" - 20 x 1 1/2"	4	All	All
58	RS2157	U	Washer, Lock 1/4"	4	All	All
59	RS01078	U	Nut, Hex Head with Shakeproof Washer, 1/4" - 20 x 7/16"	4	All	All



gmapex1

FIGURE F5

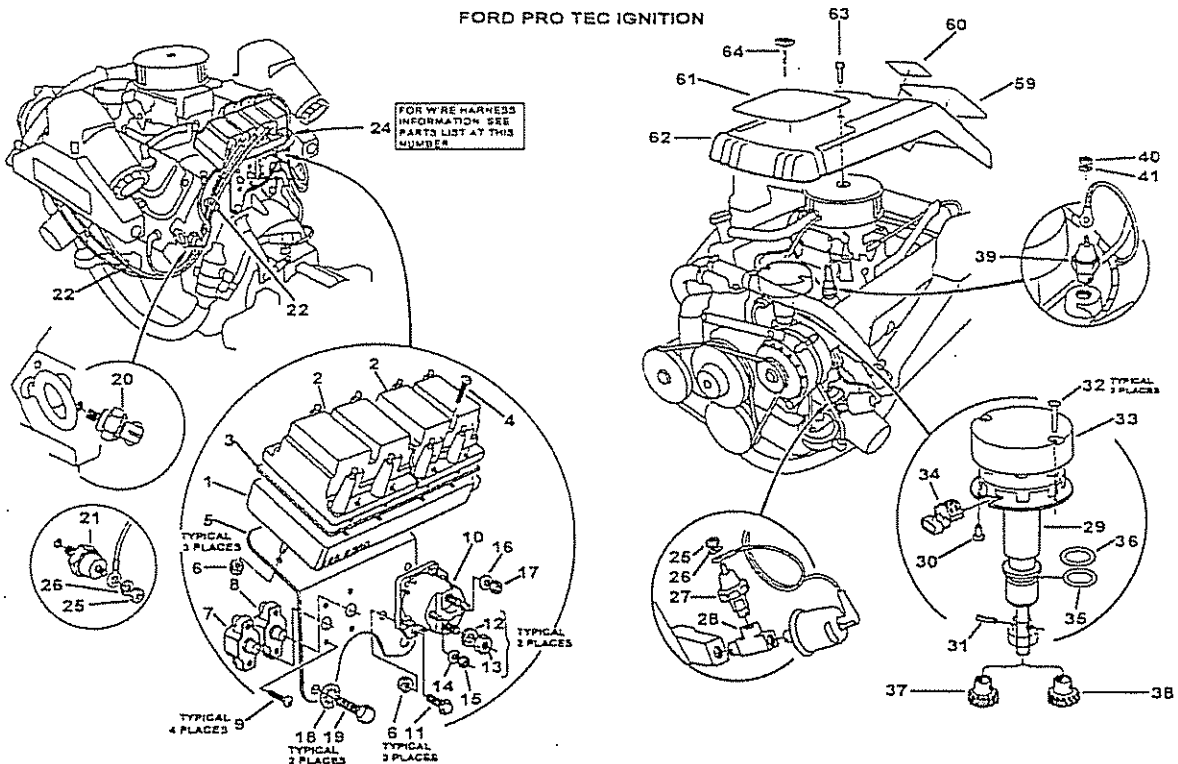
FORD PTI PRO BOSS AND PRO SKI

REF NO.	PART NUMBER	CODE	DESCRIPTION	QTY	APP	ROT
THROTTLE BODY COMPONENTS						
1	RN0155	F	Cover, Fuel Pressure Regulator	1	PTI	All
2	RN0156	F	Screw, Pressure Regulator Adjusting	1	PTI	All
3	RN0146	F	Diaphragm, Fuel Pressure Regulator	1	PTI	All
4	RN0148	F	Spring, Fuel Pressure Regulator	1	PTI	All
NI	RN0170	F	Cup, Pressure Regulator Spring Guide	1	PTI	All
NI	RN0159	F	"O" Ring, Pressure Regulator to Body Sealing	1	PTI	All
NI	RN0161	F	Screw, Pressure Regulator To Throttle Body Attaching	4	PTI	All
5	RA052019	F	Throttle Body, Assembly	1	PTI	All
NI	R080024	F	Filter, Gasoline Fuel, In Line Metal Case	1	PTI	All
6	RA035031	U	Valve Assembly, Schrader Type, For Pressure	1	PTI	All
NI	R035031	F	Body, Valve Schrader Type, For Pressure Checking	1	PTI	All
NI	R035032	F	Core, Valve Schrader Type, For Pressure Checking	1	PTI	All
NI	R034041	U	Cap, Valve Sealing For RA035031	1	PTI	All
7	RN0149	F	Link, Throttle Primary To Secondary Connecting	1	PTI	All
NI	RN0150	F	Pin, Cotter Connecting Link Retaining	1	PTI	All
8	RN0153	F	Injector, Fuel	4	PTI	All
NI	RN0157	F	"O" Ring, Injector Sealing Top (Large)	4	PTI	All
NI	RN0158	F	"O" Ring, Injector Sealing Bottom (Small)	4	PTI	All
9	RN0160	F	Plate And Stud, Injector And Flame Arrestor Retaining	1	PTI	All
10	RA122017	F	Motor, Idle Air Control (IAC)	1	PTI	All
NI	RN0165	F	"O" Ring, IAC Sealing	1	PTI	All
11	RN0152	F	Ring, Air Defuser	1	PTI	All
12	R020021	F	Sensor, Throttle Position (TPS)	1	PTI	All
NI	RN0147	F	Plate, Throttle Position Sensor Retainer	1	PTI	All
NI	RN0163	F	Screw, Throttle Position Sensor Attaching	2	PTI	All
13	RN0145	F	Harness, Injector Cap Assembly	1	PTI	All
NI	RN0151	F	Grommet, Injector Wiring Harness To Throttle Body Sealing	1	PTI	All
14	RN0169	F	Tower, Injector Mounting	1	PTI	All
NI	RN0166	F	Sleeve, Throttle Body to Injector Tower Connecting	2	PTI	All
NI	RN0144	F	"O" Ring, Injector Tower Connecting Sleeve	4	PTI	All
NI	RN0164	F	Screw, Injector Tower Attaching	3	PTI	All
NI	RN0162	F	Screw, Injector Cap Retainer Attaching	2	PTI	All
NI	RN0167	F	Screw, Primary Idle Stop	1	PTI	All
NI	RN0168	F	Screw, Secondary Idle Stop	1	PTI	All
PTI HARNESS AND SENSORS						
15	R130011	F	Relay, Ignition	1	PTI	All
16	R130011	F	Relay, Fuel	1	PTI	All
NI	R121047A	F	Lead, Fused With Relay Connector Constant Power From Battery	1	PTI	All
NI	R121053	F	Connector "Bullet" Style Quick Disconnect	1	PTI	All
17	R153006C	U	Breaker, Circuit 60 Amp	1	PTI	All
18	R153007	U	Breaker, Circuit 12.5 Amp	1	PTI	All
19	R153014	U	Breaker, Circuit 15 Amp	1	PTI	All
20	R116008	F	Module, {ECM} Fuel {Pro Ski}	1	PTI Std	All
20	R116006	F	Module, {ECM} Fuel {Pro Boss}	1	PTI HO	All
21	RK020020	F	Kit, Sensor Knock {Replacement For Single Wire Sensor}	1	PTI	All
21	R020020	F	Sensor, Knock Two Wire	1	PTI	All
22	RA107028	F	Module, Ignition {Pro Ski}	1	PTI Std	All
22	RA107031	F	Module, Ignition {Pro Boss}	1	PTI HO	All
23	RA121045	F	Harness, Engine Fuel System	1	PTI	All
NI	R121054	F	Pigtail, For Pro Tec Trigger (Field Kit)	1	PTI	All
24	RA121025C	F	Harness, Engine Ignition And Gauge System	1	PTI	All
NI	R153013	F	Fusible Link, Relay "I" Terminal To 12.5 Breaker	1	PTI	All
NI	R094031	F	Grommet, Wire Harness Through Electrical Plate	1	GM PTI	All
25	RA080018	U	Pump, Low Pressure Fuel	1	PTI	All
NI	R127061	F	Clip, Wire Retaining To Pump Terminals Electric Pump	1	PTI	All
26	RA080022	U	Pump, High Pressure Fuel	1	PTI	All

THE ILLUSTRATION FOR REFERENCE NUMBERS ON THIS PAGE WILL BE FOUND ON FIGURE F6

PRO TEC IGNITION

FORD PRO TEC IGNITION



GM PRO TEC IGNITION

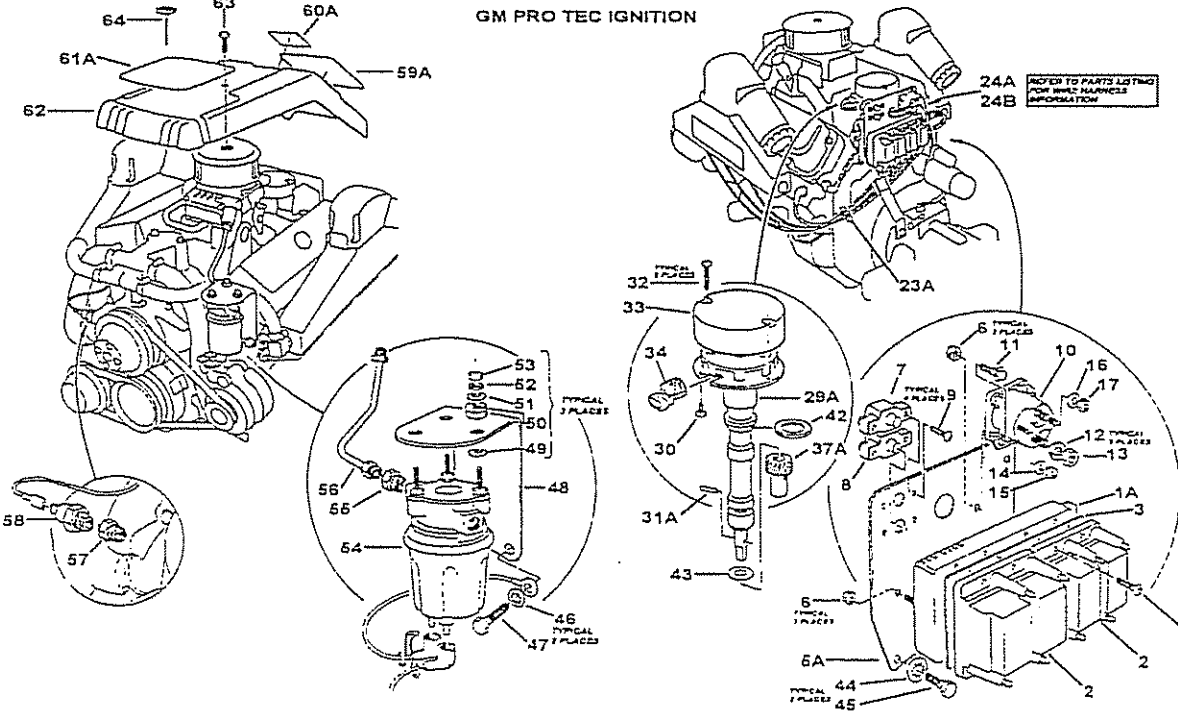


FIGURE F6

pticomb

FORD PTI PRO BOSS AND PRO SKI

REF NO.	PART NUMBER	CODE	DESCRIPTION	QTY	APP	ROT
NI	R094029	F	Grommet, Fuel Pump Top Bracket Isolation	1	PTI	All
NI	R094029A	F	Spacer, High Pressure Pump Electrical Connector Tensioning	1	PTI	All
NI	R094030	F	Grommet, Fuel Pump Bottom Bracket Isolation	1	PTI	All
27	R020019	U	Sensor, Engine Coolant Water Temperature {ECT For ECM}	1	PTI	All
28	R020015	U	Switch, Low Engine Oil Pressure Sensing	1	PTI	All
29	R020014	U	Switch, Engine Water Temperature Overheat Sensing	1	PTI	All
30	RA107032	F	Trigger, Assembly	1	PTI	LH
NI	R114003	F	Trigger and Coil Assembly	1	PTI	All
30	RA107034	F	Trigger, Assembly	1	PTI	RH
31	R020017	U	Sensor, Manifold Absolute Pressure {MAP}	1	PTI	All
32	R020017	U	Sensor, Barometer {BARO}	1	PTI	All
NI	R090165	F	Bracket, Fuel Pumps Mounting	1	PTI	All
NI	R090166	F	Bracket, Fuel Module {ECM} Mounting	1	PTI	All
NI	R090164	F	Bracket, MAP And BARO Sensor Mounting	1	PTI	All
NI	R045087	F	Hose, Vacuum 3/16" I.D. (Bulk) Cut To Length.	1	PTI	All
NI	R062076	F	Spacer, Map Bracket (1/2" O.D. x 1/4" I.D. X 1/2" Long)	2	PTI	All
33	R024152	F	Fitting, Fuel, High Pressure Pump Outlet, 3/8"-24 x 3/8"	1	PTI	All
34	R020012	F	Sensor, Crankshaft Position	1	PTI	All

COVER AND DECALS

35	RA017075	F	Nut, Rosette Style Cover And Flame Arrestor Attaching	1	PTI	All
36	R060050	F	Cover, Engine	1	PTI	All
37	R143079	F	Decal, Engine Cover Rear {PRO TEC INJECTION}	1	PTI	All
38	R143091	F	Decal, Engine Specification	1	PTI	All
39	R143085	F	Decal, Engine Cover Top Front {PCM PRO SKI EFI}	1	PTI Std	All
39	R143080	F	Decal, Engine Cover Top Front {PCM BOSS SKI PTI}	1	PTI HO	All
40	R143089	F	Decal, Engine Cover Side {PRO SKI EFI}	2	PTI Std	All
41	R143090	F	Decal, Flame Arrestor Top	1	PTI Std	All
NI	R145015	F	Flame Arrestor	1	PTI	All

FUEL LINES

NI	RA085057	F	Line, Fuel High Pressure Pump To TBI	1	PTI	All
NI	RA085058	F	Line, Low Pressure Fuel Return	1	PTI	All
NI	RA085056	F	Line, Recirculating High To Low Pressure Pumps	1	PTI	All

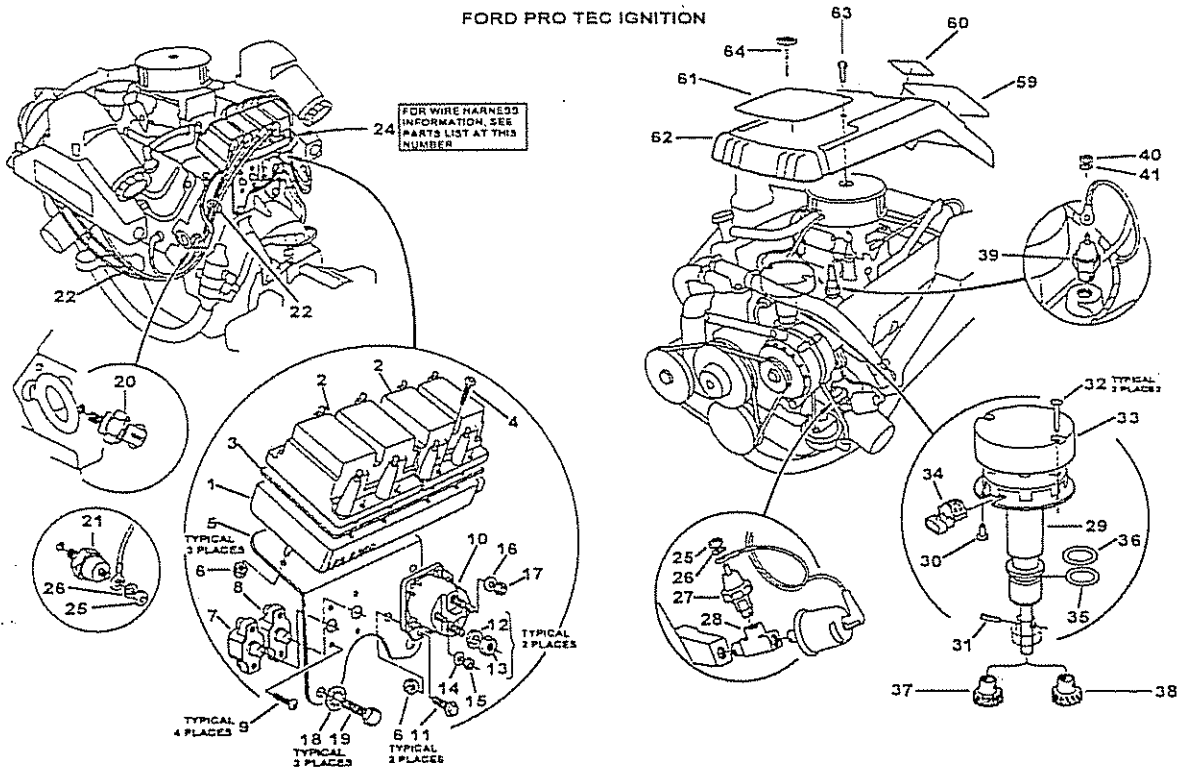
SERVICE TOOLS

NI	L190130	F	Disk 3.5 DS/DD, Diagnostic Software	1	PTI	All
NI	L190140	F	Manual, EFI Trouble Shooting And Repair	1	PTI	All
NI	L190141	F	Video Tape, EFI Service Training	1	PTI	All

NI ... RK045094 ... F ... Kit, Vapor Lock Elimination. Contains, 1-RA045094 Fuel Line, 1-R024174 "T" Fitting
 (Special), 2-R024173 Straight Fittings, 1-R024167 "T" Fitting (Pipe), 1-R024103 Fitting
 (Barbed), 2-B252101 #10 1" Wood Screws, 1-R127085 Clamp, 1-R080024 Filter. 1 2"
 Section Of R045095 Fuel Hose And 1-Instruction Sheet.

PRO TEC IGNITION

FORD PRO TEC IGNITION



GM PRO TEC IGNITION

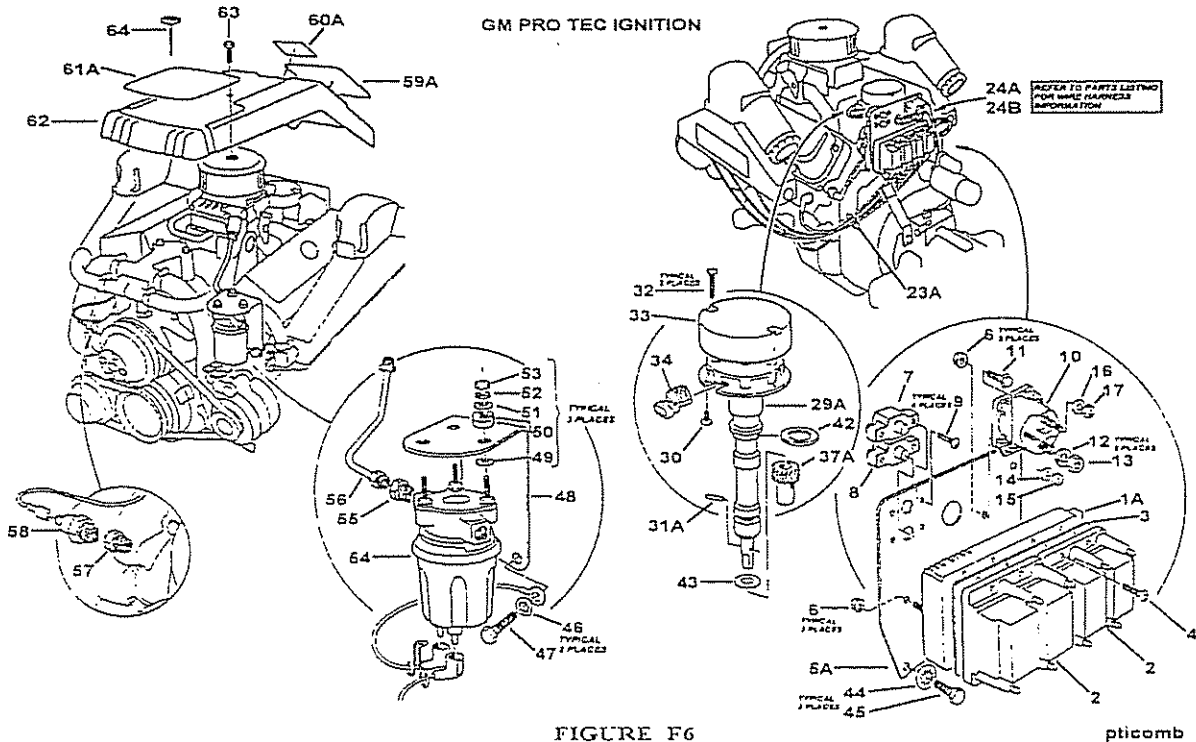


FIGURE F6

pticomb

GM 5.7 AND 7.4 TBI

REF NO.	PART NUMBER	CODE	DESCRIPTION	QTY	APP	ROT
5.7 PARTS						
1	R109047	U	Plate, Fuel Pump Block Mounting Hole Cover	1	5.7	All
2	RM0122	U	Gasket, Fuel Pump Plate To Block	1	5.7	All
3	R116013A	GM	Module, Main Processor (ECM) Blue ID Color {Thru 1998}	1	5.7 Std & GEN 1+	All
3	R116013B	GM	Module, Main Processor (ECM) Red ID Color {Thru 1998}	1	All APEX	All
3	R116017A	GM	Module, Main Processor (ECM) {Top Connector}	1	5.7 TBI	All
3	R116017B	GM	Module, Main Processor (ECM) {Top Connector}	1	5.7 MPI	All
4	R116014	GM	Module, Ignition Control In Delco Distributor	1	5.7	All
5	R020027	GM	Sensor, Knock	1	5.7 EFI	All
6	RA052021	GM	Throttle Body, Assembly, 5.7	1	5.7 EFI	All
NI	R143097	GM	Decal, "Pro Ski 5.7 EFI" 2 Color Black/Red	1	5.7 EFI	All
NI	R143120	GM	Decal, Engine Specification 3 1/4" X 2 1/2"	1	5.7 EFI	All

7.4 PARTS

3	R116013C	GM	Module, Main Processor (ECM) White ID Color	1	7.4 EFI	All
3	R116013D	GM	Module, Main Processor (ECM) Gold ID Color	1	L29 7.4 MPI	All
3	R116017C	GM	Module, Main Processor (ECM) {1999 & Later}	1	7.4/8.2 MPI	All
4	R116015	GM	Module, Ignition Control In Delco Distributor	1	7.4	All
5	R020029	GM	Sensor, Knock	1	7.4 EFI	All
6	RA052022	GM	Throttle Body, Assembly, 7.4 GM	1	7.4 EFI	All
29	R090125	GM	Bracket, Feed Pump Mounting	1	7.4 EFI 1994 - 1998	All
30	NEED P/N	GM	Bracket, Feed Pump Mounting	1	7.4 1999 On	All
42	RM0237	GM	Gasket, Adapter To Intake Manifold	1	All 7.4 EFI	All
43	R009158	U	Screw, Socket Head Cap Tapered Seat 5/16" - 18 x 1"	4	7.4 Std	All
44	R079060	GM	Adapter, Intake 4V Pattern To TBI 2V Pattern	1	7.4 TBI	All

COMMON PARTS 5.7 AND 7.4

7	R090182	GM	Bracket, ECM And Relay Mounting	1	All EFI Before 1999	All
7	R090182A	GM	Bracket, ECM And Relay Mounting	1	EFI 1999 On	All
8	R090184	GM	Bracket, Relay Mounting	1	All EFI	All
9	R024181	GM	Fitting, Special Pressure Take Off Between TBI And Fuel Inlet Line	1	All EFI	All
10	RM0240	GM	Gasket, TBI Base To Intake Adapter	1	All EFI	All
11	R116012	GM	Module, Knock	1	All EFI	All
12	R047215	GM	"O" Ring Fuel Line Sealing Inlet To TBI	2	All EFI	All
13	R047216	GM	"O" Ring Fuel Line Sealing Outlet From GM TBI	1	All EFI	All
13A	R060055	GM	Cover, ECM	1	All EFI 1999 On	All
14	R130012	GM	Relay, System And Fuel Pump	2	All EFI	All
15	R020019	GM	Sensor, Water Temperature {ECT}	1	All EFI	All
16	R020017	GM	Sensor, Manifold Absolute Pressure {MAP}	1	All EFI	All
NI	R143120	GM	Decal, Engine Specification	1	All GM EFI	All
17	R009159	GM	Bolt, HWHCS 5/16" - 18 x 2" Attaches TBI To Adapter	3	All EFI	All
18	R090178	GM	Bracket, Map Sensor Mounting	1	All EFI	All
19	R121047A	U	Harness, Fused (40 Amp) Constant Power Feed {Batt. Connection}	1	AR	All
20	R153015	U	Fuse, 40 Amp Blade Type	1	AR	All
21	R045099	GM	Hose, Molded Map Sensor To TBI Vacuum Fitting	1	All EFI	All
22	RA009160	U	Bolt, 1/4" x 20 x 3 3/4" Zinc Plated with Plastic Rosette	1	All EFI	All
23	RM0129	GM	Gasket, Flame Arrester To Throttle Body	1	All EFI	All
24	R035034	GM	Valve, PCV	1	All EFI	All
25	R090183	GM	Bracket, Throttle Cable Anchor	1	All EFI	All
NI	R024188	GM	Fitting, 45° Street Elbow 1/4" Male NPT To 1/4" Female NPT	1	All EFI	All
27	RA121064	GM	Harness, Fuel Injection Section	1	All EFI Before 1999	All
27	RA21067A	GM	Harness, Fuel Injection Section	1	1999 On MPI	All
27	R121064A	GM	Harness, Fuel Injection Section	1	1999 On EFI	All
NI	R127060	U	Clamp, Harness Retaining	1	All	All
28	R145018	GM	Flame Arrestor	1	All GM EFI	All
29	R090180	GM	Bracket, Feed Pump Mounting	1	All EFI	All
31	NPN	U	Fuse, 15 Amp (Acquire Locally)	1	All EFI	All
32	RS5126	U	Screw, Self-Tapping #10 - 24 x 5/8"	2	All EFI	All
33	RS5084	U	Screw, #8 - 32 x 3/4"	2	All	All

THE ILLUSTRATION FOR REFERENCE NUMBERS ON THIS PAGE WILL BE FOUND ON FIGURE F7

GM 5.7 and 7.4 TBI

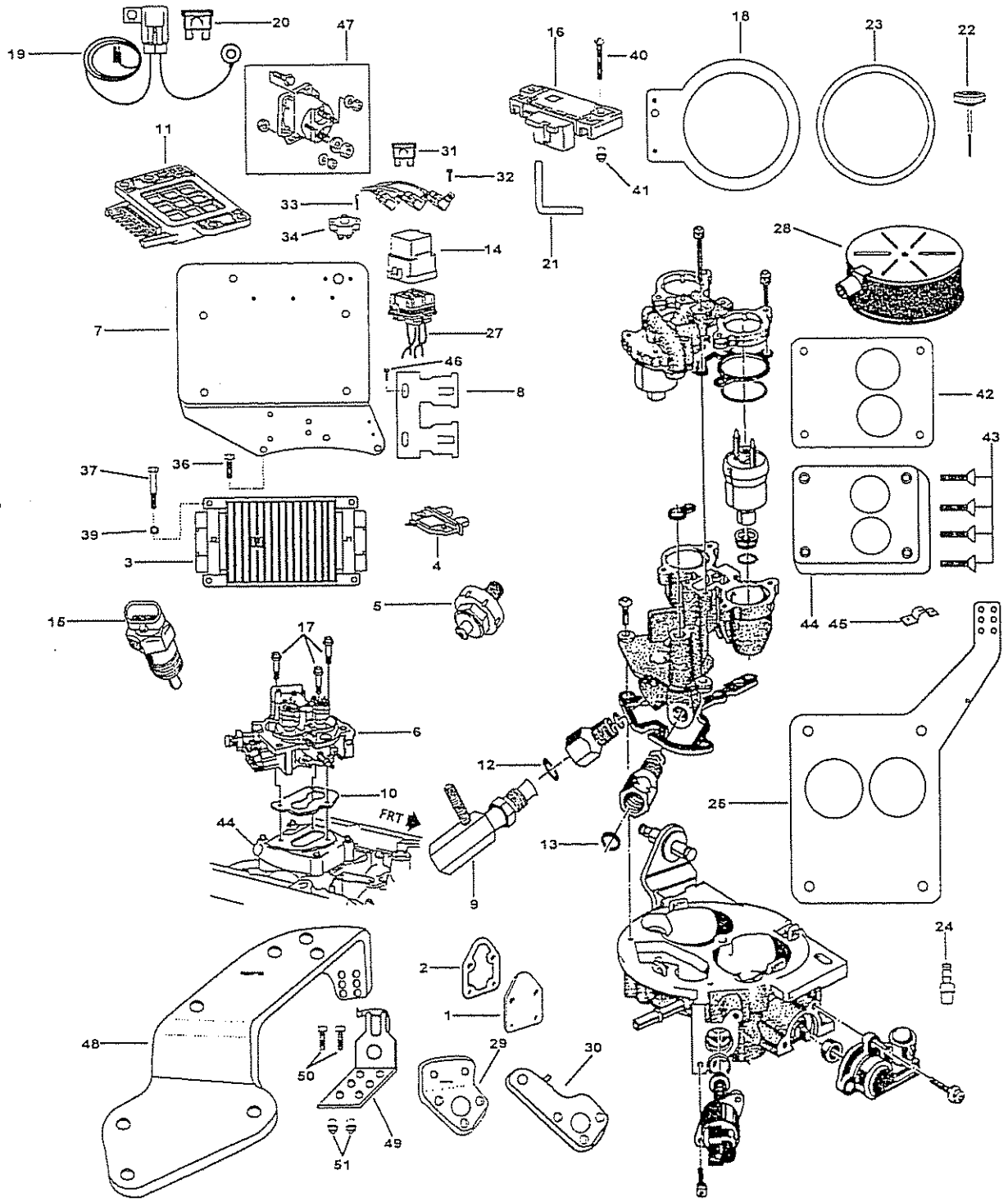


FIGURE F7

gm-tbi

GM 5.7 AND 7.4 TBI

REF NO.	PART NUMBER	CODE	DESCRIPTION	QTY	APP	ROT
34	R153007	U	Breaker, Circuit Ignition 12.5 Amp	1	All	All
34	R153006B	U	Breaker, Circuit Ignition, 50 Amp	1	All	All
35			Number Not Used			
36	RS0280	U	Bolt, ECM And Relay Bracket Mounting 5/16" - 18 x 3/4"	2	All	All
37	RS0258	U	Bolt, Hex Head 1/4" - 20 x 1 1/2"	4	All	All
39	RS01078	U	Nut, Hex Head with Shakeproof Washer, 1/4" - 20 x 7/16"	4	All	All
40	RS5108	U	Screw, Machine #10 - 32 x 1"	2	All	All
41	RS2055	U	Nut, Nylock Insert #10 - 32	2	All	All
45	R090070	U	Clamp, Throttle Cable	1	All	All
46	RS5126	U	Screw, Hex Head with Slot, Self Tapping #10 - 24 x 5/8"	2	All	All
47	R130001	U	Relay, Starter (See Page E3-1 For Details)	1	All	All
48	R090190	GM	Bracket, Coil Mounting	1	5.7	All
48	R090191	GM	Bracket, Coil Mounting	1	7.4	All
49	R090086	U	Bracket, Throttle Cable Anchor	1	All	All
50	RS5122	U	Bolt, 10 - 32 x 5/8"	2	All	All
51	RS2055	U	Nut, 10 - 32, Self Locking	2	All	All

FUEL LINES

NI	RA085065	GM	Line, Fuel Feed FCC To TBI {High Pressure}	1	All EFI	All
NI	RA085066	GM	Line, Fuel Return TBI To FCC {Return Pressure}	1	All EFI	All

THE ILLUSTRATION FOR REFERENCE NUMBERS ON THIS PAGE WILL BE FOUND ON FIGURE F7

GM 5.7 and 7.4 TBI

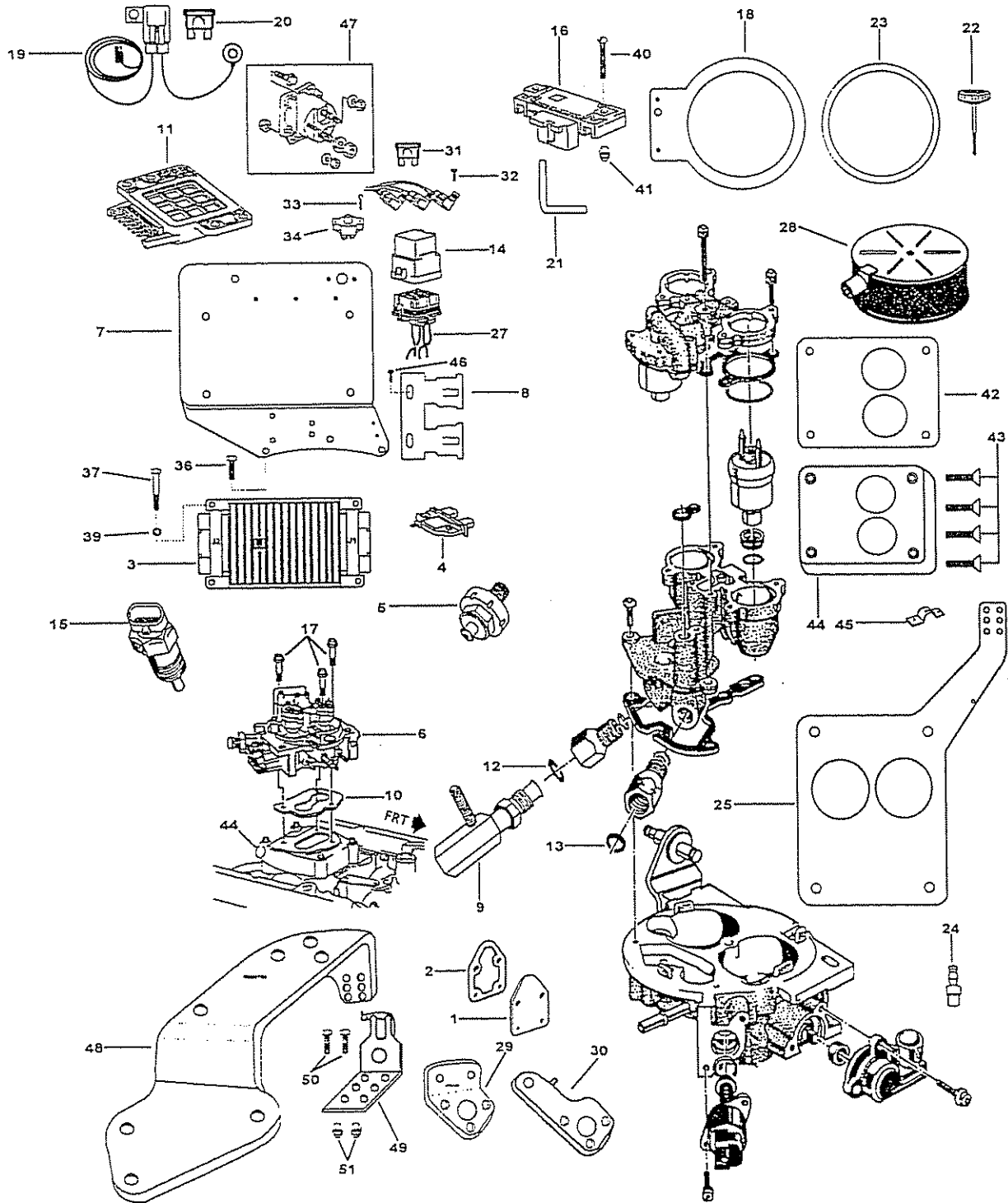


FIGURE F7

gm-tbi

ACCESSORY GROUP

REF ¹ NO.	PART NUMBER	DESCRIPTION	QTY	APP	ROT
RK090077		FILTER BRACKET KIT	1	All	All
	RS0302	Bolt	2		
	RS2180	Washer	2		
	RS1028	Nut	2		
	RS0325	Bolt	2		
	RS2181	Washer	2		
	R090077	Bracket	1		
	RA080008	Filter	1		
RK173017		PLUG & BRACKET CLAMP KIT {One (1) Per Engine}	1	All	All
	RS 3552	Brass Plug	3		
	RS2458	Lock Washer	2		
	R024024	Connector	1		
	R082009	Cotter pin	1		
	R090070	Cable Clamp	1		
	RS3533	Steel Plug	2		
	RS1521	Nut	2		
	RS5105	Machine Screw	2		
RK024056		OIL DRAIN KIT	1	All	All
	R024061	Fitting Barbed 1/4" NP	2		
	R024062	Firting Thru Hull ID 1/4 x 1/4 OD 3/4 x 17 {With Nut & Washer}	1		
	R045049B	Hose 3/8" x 30"	1		
	R024056	Fitting 1/2-20 SAE x 1/4 x 1/4 x 1/4 NPT {Pan}	1		
	RM0040	Gasket	1		
	RS3552	Plugs	2		
RK090056		THROTTLE BRACKET 302 & 351 {One (1) per engine}	1	FORD	All
	R090067	Flat Bracket	1		
	R090068	Right Angle Bracket	1		
	R090069	Carburetor Plate	1		
	R090070	Cable Clamp*	1		
	R178003	Ball Joint	1		
	RS5105	Machine Screw**	3		
	RS1521	Machine Screw Nut**	3		
	RS2458	Internal Tooth Lock Washer**	3		
	RS5109	1/4 x 1/2 Round Head Machine Screw	2		
	RS2460	1/4" Internal Tooth Lock Washer	2		
	RS1026	1/4" Hex Nuts	2		
*Shipped as part of RK173017 Plug & Bracket Clamp Kit					
**Includes two (2) pieces shipped as part of RK173017 Plug & Bracket Clamp Kit.					
RK090057		SHIFT BRACKET KIT {Warner Transmission}	1	All	All
	R090084	Bracket Support	1		
	R090085	Plate Shift Lever	1		
	R090086	Retainer Cable	1		
	RS5115	Screw 10-32 x 5/8"	2		
	RS1521N	Nut 10-32 Hex Head Nylock	2		
	RS2458	Lock Washer	2		
	RS5114	Bolt 1/4-28 x 5/8"	1		
	RS1568	Nut 1/4-28	1		
	RS2460	Lock Washer	1		
	R024024	Cable End	1		
	R082009	Cotter Pin	1		

NOTE: Items # 10 & 11 are supplied in Plug And Retainer Kit P/N RK173017 for production purposes.

NOTE: For Dual Cable Kit order RK090057 plus 1-RK090091

ENGINE PARTS KITS AND SKIN PACKS

REF NO.	PART NUMBER	CODE	DESCRIPTION	QTY	APP	ROT
---------	-------------	------	-------------	-----	-----	-----

RK005002A - OIL PAN CONVERSION KIT (71 TO 84 FORD 5.0)

.....	R005002A	Oil Pan (1985 & Later)	1	5.0	All
.....	R024056B	Tee Fitting, 1/2-20 x 1/4 x 1/4	1	All	All
.....	R024146	Adapter, Fuel Line	1	All	All
.....	R041032	Dipstick (1971 - 1985)	1	All	All
.....	R041061	Dipstick Tube	1	5.0	All
.....	R074005A	Oil Tube & Screen	1	All	All
.....	RM0025	Gasket Set, Oil Pan (1971 - 1987)	1	5.0	All
.....	RS3552	Pipe Plug, Hex Head, Brass 1/4 NPT	1	All	All
.....	RM0246	Gasket, Oil Drain, 14 MM	1	All	All

RM0072A - LOWER END GASKET SET (FORD 5.8, RIGHT-HAND ROTATION)

.....	R047041A	Seal, Rear Main (1 Piece)	1	5.8	RH
.....	R047044	Seal, Front Cover	1	5.0/5.8	RH
.....	RM0071A	Gasket Set, Lower End	1	5.8	All

RTK0078 - FUEL PRESSURE GAGE KIT

.....	RT0078	Fuel Pressure Gage (0 - 100 PSI, 1% Accuracy)	1	All	All
.....	RT0079	Adapter, Fuel Pressure Gage to Schrader Valve	1	All	All

RM0188 - VALVE GRIND SET (87 & LATER FORD 5.8)

.....	RM0001	Gasket, Tbermostat Housing	1	All	All
.....	RM0003	Gasket, Thermostat Housing (Raw Water)	1	All	All
.....	RM0018	Gasket, Cylinder Head	2	5.0/5.8	All
.....	RM0186	Gasket Set, Intake (1986 & Later)	1	5.8	All
.....	RM0231	Valve Seal Set	1	5.0/5.8	All

RM0232 - VALVE GRIND KIT (86 & LATER FORD 5.0)

.....	RM0001	Gasket, Thermostat housing	1	All	All
.....	RM0003	Gasket, Thermostat Housing (Raw Water)	1	All	All
.....	RM0018	Gasket, Cylinder Head	2	5.0/5.8	All
.....	RM0187	Gasket Set, Intake (86 & Later)	1	5.0	All
.....	RM0231	Valve Seal Set	1	5.0/5.8	All

RK020028 - FUEL LEVEL INDICATING SENDING KIT

.....	RA020028	Sender, Fuel Level Indicating with Return Fitting	1	All	All
.....	R024185	Fiting, Barbed Insert for 3/8" Hose and 1/2"-20 Female Swivel	1	All	All

RP026001 - THERMOSTAT WITH GASKET (170° F.) - FRESH WATER COOLING

.....	R026001	Thermostat, Fresh Water Cooling	1	All	All
.....	RM0004	Gasket, Fresh Water Cooling	1	All	All
.....	RM0121	Gasket, Water Outlet	1	5.0/5.7	All

RP026002 - THERMOSTAT WITH GASKET (160° F.) - FORD RAW WATER

.....	R026002	Thermostat, 160 Degree	1	All	All
.....	RM0003	Gasket, Thermostat Housing (Raw Water)	1	All	All

ENGINE PARTS KITS AND SKIN PACKS

REF NO.	PART NUMBER	CODE	DESCRIPTION	QTY	APP	ROT
---------	-------------	------	-------------	-----	-----	-----

RP026002E - THERMOSTAT WITH GASKET (143°F.) - FORD RAW WATER

..... R026002E	Thermostat, 143 Degree	1	All	All
..... RM0003	Gasket, Thermostat Housing (Raw Water)	1	All	All

RP026003 - THERMOSTAT WITH GASKET (145° F.) - GM FRESH WATER COOLING

..... R026003	Thermostat, 145 Degree	1	All	All
..... RM0004	Gasket, Thermostat Housing (Raw Water)	1	All	All
..... RM0121	Gasket, Water Outlet	1	All	All

RP026004 - THERMOSTAT WITH GASKET (4140)

..... R026004	Thermostat, 4140	1	All	All
..... RM0137	Gasket, Thermostat Housing (4140)	1	All	All

RK024056A - OIL DRAIN KIT, FORD/GM

..... R024056A	Connector, 1/2" - 20 x 1/4" NPT	1	All	All
..... R024061	Connector, Hose 1/4" NPT x 3/8"	1	All	All
..... R024061A	Elbow, 1/4" NPT x 3/8" Hose	1	All	All
..... R024066A	Cap, 1/4" Pipe	1	All	All
..... R045049	Hose, Fuel Line 3/8" ID	1	All	All
..... RM0040	Gasket, Oil Drain Plug	1	All	All

RK024056B - OIL DRAIN KIT(FORD/MITS 4140)

..... R024056B	Tee, M14 x 1/4" x 1/4"	1	All	All
..... R024061	Connector, Hose 1/4" NPT X 3/8"	2	All	All
..... R024066	Cap, 1/4" Pipe	1	All	All
..... R045049	Hose, Fuel Line 3/8" ID	1	All	All
..... RM0246	Gasket, 14 MM Oil Drain	1	All	All
..... RS3552	Pipe Plug, Hex Head Brass 1/4" NPT	1	All	All

RK024056C - OIL DRAIN KIT (FORD 5.8 METRIC)

..... R024056C	Connector, M14 X1/4" NPT	1	All	All
..... R024061	Connector, Hose 1/4" NPT x 3/8"	1	All	All
..... R024061A	Elbow, 1/4" NPT X 3/8" Hose	1	All	All
..... R024066A	Cap, 1/4 " Pipe	1	All	All
..... R045049	Hose, Fuel Line 3/8" ID	4	All	All
..... RM0246	Gasket, Oil Drain Plug, 14 MM Metal Clad Rubber	1	All	All

RK024179 - OIL DRAIN KIT (GM METRIC, 96 & LATER)

..... R024061	Connector, Hose 1/4" NPT x 3/8"	2	All	All
..... R024066	Cap, 1/4" Pipe	1	All	All
..... R024179	Fitting, 12 MM x 1.75 Male Tee	1	All	All
..... R045049	Hose, Fuel Line 3/8" ID	1	All	All
..... RM0245	Gasket, 12 MM Drain	1	All	All
..... RS3552	Pipe Plug, Hex Head Brass 1/4" NPT	1	All	All

RK024193 - OIL DRAIN POSITIONING KIT (FORD 97 & LATER)

..... R024195	Hose Fitting, 3/8" FlareWith Hose Barb	1	All	All
..... RM0245	Gasket, 12 MM Oil Drain	1	All	All

ENGINE PARTS KITS AND SKIN PACKS

REF NO.	PART NUMBER	CODE	DESCRIPTION	QTY	APP	ROT
---------	-------------	------	-------------	-----	-----	-----

RK025009 - FRESH WATER COOLING KIT (FORD 5.0/5.8)

..... R024002	Elbow, Pump-to-Thermostat Housing	1	All	All
..... R024028	Tee, Raw Water Pump	1	All	All
..... R025004	Housing, Lower Thermostat	1	All	All
..... R026001	Thermostat, Fresh Water Cooling	1	All	All
..... R034006	Cap, Pressure	1	All	All
..... R035004	Valve, PVC	1	All	All
..... R045004F	Hose, 1 " x 5 "	1	All	All
..... R045004M	Hose, 1 " x 18.5 "	1	All	All
..... RS0329	Cap Screw, Hex Head 7/16" - 14 x 1 1/2 "	1	All	All
..... RS1028	Nut, 3/8" - 16	1	All	All
..... RS2179	Lock Washer, 5/16"	2	All	All
..... RS2180	Lock Washer, 3/8"	1	All	All
..... RS2675	Washer, Flat 5/16"	1	All	All
..... RS3851	Clamp, Hose 1 Inch (#16)	8	All	All
..... RS3852	Clamp, Hose 1 3/4 " (#28)	10	All	All
..... RS3853	Clamp, Hose 3 Inch (#48)	2	All	All
..... RS3857	Clamp, Hose 4 Inch (#64)	1	All	All
..... RM0001	Gasket, Thermostat Housing	1	All	All
..... RM0002	Gasket, Exhaust Manifold to Riser	2	All	All
..... R190010	Instruction Bulletin, Fresh Water Cooling Installation	1	All	All

RK025009F - FRESH WATER COOLING KIT (FORD GT-40)

..... RA147032	Tank, Surge Vertical Design (Includes 13 lb. Pressure Cap)	1	GT40	All
..... RA147033	Heat Exchanger, Dual Pass (All Sea Maxx and GT40 Engines)	1	GT40	All
..... R045101	Hose, Surge Tank To Upper Thermostat Housing	1	GT40	All
..... R090186	Bracket, Surge Tank	1	GT40	All
..... R090187	Bracket, Heat Exchanger Front	1	GT40	All
..... R090173	Bracket, ECM And Surge Tank Bracket (R090186) Mounting	1	GT40	All

RK025026 - THERMOSTAT HOUSING KIT (GM RAW WATER)

..... R025026	Housing, Thermostat GM Raw Water	1	All	All
..... R026002	Thermostat, 160 Degree	1	All	All
..... R062078	Spacer, Thermostat Support & Bypass	1	All	All
..... RM0121	Gasket, Thermostat Housing (GM)	1	All	All
..... RM0244	Gasket, Thermostat Seal (MPEFI)	1	5.7	All
..... RS2179	Lock Washer, 5/16	2	All	All
..... RS3945	Cap Screw, Socket Head 3/8" - 16 x 1 1/8"	2	All	All

RP030001 - SPARK PLUG KIT, 18 MM (71 TO 74 FORD 5.0/5.8)

..... R030001	Spark Plugs, 18 MM	8	5.0/5.8	All
---------------------	--------------------------	---------	---------------	-----

RP030002 - SPARK PLUG KIT, 14MM (75 AND LATER FORD ALL STANDARD)

..... R030002	Spark Plugs, 14 MM	8	All	All
---------------------	--------------------------	---------	-----------	-----

RP030003 - SPARK PLUG KIT (GM 5.0/5.7)

..... R030003	Spark Plugs	8	All	All
---------------------	-------------------	---------	-----------	-----

RP030007 - SPARK PLUG KIT (FORD 5.8 HO)

..... R030007	Spark Plugs	8	5.8 HO	All
---------------------	-------------------	---------	--------------	-----

ENGINE PARTS KITS AND SKIN PACKS

REF NO.	PART NUMBER	CODE	DESCRIPTION	QTY	APP	ROT
RP030008 - SPARK PLUG KIT (GM5.7 APEX)						
.....	R030008		Spark Plugs	8	All	All
RP061015 - IMPELLER KIT WITH O-RING (FORD 5.0/5.8) G-21 PUMP						
.....	R060115		Impeller, Raw Water Pump	1	All	All
.....	R047111		O-ring, Impeller	1	All	All
RP061017 - IMPELLER KIT WITH O-RING (GM)						
.....	R061017		Impeller, Raw Water Pump	1	All	All
.....	R047111		O-ring, Impeller	1	All	All
RP061018 - IMPELLER KIT FOR INDMAR PUMPS						
.....	R061018		Impeller, Raw Water Pump (For Indmar Pump)	1	All	All
.....	RM0223		Gasket, Water Pump	1	All	All
RK062003 - 2 INCH RISER SPACER KIT (FOR 3-INCH RISERS)						
.....	R031007		Stud, 2 Inch Riser Spacer	8	All	All
.....	R062003		Spacer, Riser 2 Inch	2	All	All
.....	RM0002		Gasket, Exhaust Riser	4	All	All
.....	RS1527		Nut, Hex Head 5/16" - 24	8	All	All
.....	RS2179		Lock Washer, 5/16"	8	All	All
RK062004 - 4 INCH RISER SPACER KIT (FOR 3-INCH RISERS)						
.....	R031002		Stud, 5/16" - 18 & 5/16" - 24 x 5.87	8	All	All
.....	R062004		Spacer, Riser 4 "	2	All	All
.....	RM0002		Gasket, Exhaust Riser	4	All	All
.....	RS1527		Nut, Hex Head 5/16" - 24	8	All	All
.....	RS2179		Lock Washer, 5/16"	8	All	All
RK062032 - RISER SPACER KIT, 2 INCH (GM 7.4)						
.....	R062032		Spacer, Riser 2 "	2	7.4	All
.....	RM0099		Gasket, Exhaust Riser	4	7.4	All
.....	R031007		Stud, 2 " Riser Spacer	16	All	All
.....	RS1525		Nut, Hex Head 3/8" - 24	16	All	All
.....	RS2180		Lock Washer, 3/8"	16	All	All
RK062033 - RISER SPACER KIT, 4 INCH (GM 7.4)						
.....	R062033		Spacer, Riser 4 "	2	7.4	All
.....	RM0099		Gasket, Exhaust Riser	4	7.4	All
.....	RS1525		Nut, Hex 3/8" - 24	16	All	All
.....	RS2180		Lock Washer, 3/8"	16	All	All
.....	R031008		Stud, 3/8" x 5.84	16	All	All

ENGINE PARTS KITS AND SKIN PACKS

REF NO.	PART NUMBER	CODE	DESCRIPTION	QTY	APP	ROT
RP066001/8 - DRIVE BELT SET (FORD 5.0/5.8)						
.....	R066001		V-Belt, Alternator	1	5.0/5.8	All
.....	R066008		V-Belt, Raw Water Pump	1	5.0/5.8	All
RP06610/21 - DRIVE BELT SET (GM 5.0/5.7)						
.....	R066010		V-Belt, Alternator	1	5.0/5.7	All
.....	R066021		V-Belt, Raw Water Pump	1	All	All
RP06611/21 - DRIVE BELT SET (GM 7.4)						
.....	RP06611		V-Belt, Alternator	1	7.4	All
.....	RP06621		V-Belt, Raw Water Pump	1	All	All
RK079051 - ADAPTER BLOCK SIDE OF REMOTE OIL FILER SYSTEM KIT (GM) See Illustration on Pg. C6-2						
.....	R079051		Adapter, Block Side of Remote Oil Filter System, Fitting Secured	1	All	All
.....	R017073		Fitting, Adapter To Block Securing	1	All	All
.....	R047202		"O" Ring, R017073 Firting To Adapter Sealing	1	All	All
.....	R047203		"O" Ring, R079051 Adapter To Block Sealing	1	All	All
RP080008 - FUEL ELEMENT KIT (FOR FUEL FILTER RA080008)						
.....	R080008		Filter, Fuel (Element)	1	All	All
RP080012 - WATER SEPARATOR CARTRIDGE KIT						
.....	R080012		Cartridge, Water Separator	1	All	All
RP080026 - FCC FILTER & O-RING KIT						
.....	R080026		Filter, Fuel Separator	1	All	All
.....	R047214		"O" ring, Canister Seal	1	All	All
RK080018A - FUEL PUMP KIT (GM 7.4)						
.....	R020004		Adapter, Oil Pressure	1	All	All
.....	R024017		Elbow, 3/8" Inverted Flare x 1/4" NPT	1	All	All
.....	R024155		Fitting, 45 Degree x 1/4" NPT x 3/8" Inverted Flare	1	All	All
.....	R090154		Bracket, Fuel Pump (Electric)	1	All	All
.....	R127015		Clamp, Closed	1	All	All
.....	R153005		Switch, Oil Pressure/Fuel Off	1	All	All
.....	RA080018		Fuel Pump, Electric	1	All	All
.....	RA085045A		Fuel Line, Electric Fuel Pump	1	7.4	All
.....	RA085053A		Fuel Line, Electric Pump to Fuel Tank (Right Front Inlet)	1	7.4	All
.....	RK173061		Hardware Kit, Electric Fuel Pump	1	All	All
.....	RS0302		Cap Screw, Hex Head 3/8" - 16 x 3/4"	2	All	All
.....	RS2462		Lock Washer, Internal Tooth 3/8"	2	All	All
.....	RS3676		Bushing, Brass 1/4" x 1/8"	1	All	All
.....	RK121059		Fuel Pump Wiring Kit	1	All	All
.....			Instruction Sheet	1		

ENGINE PARTS KITS AND SKIN PACKS

REF NO.	PART NUMBER	CODE	DESCRIPTION	QTY	APP	ROT
RK080018B - ELECTRIC FUEL PUMP KIT (GM 7.4 HO)						
.....	R020004	Adapter, Oil Pressure	1	All	All
.....	R024017	Elbow, 3/8" Inverted Flare x 1/4" NPT	2	All	All
.....	R024146	Adapter, Fuel Line	1	All	All
.....	R090154	Bracket, Fuel Pump (Electric)	1	All	All
.....	R127015	Clamp, Closed	1	All	All
.....	R153005	Switch, Oil Pressure/Fuel Off	1	All	All
.....	RA080018	Fuel Pump, Electric	1	All	All
.....	RA085055	Fuel Line	1	7.4 HO	All
.....	RK173061	Hardware Kit, Electric Fuel Pump	1	All	All
.....	RS0302	Cap Screw, Hex Head 3/8" - 16 x 3/4"	2	All	All
.....	RS2462	Lock Washer, Internal Tooth 3/8"	2	All	All
.....	RS3676	Bushing, Brass 1/4" x 1/8"	1	All	All
.....	RK121059	Fuel Pump Wiring Kit	1	All	All
.....	Instruction Sheet	1	All	All
RK080018C - ELECTRIC FUEL PUMP KIT, GM 350 (HOLLEY CARBURETOR)						
.....	R009157	Bolt, Hex Washer Head 1/4" - 20 x 5/8"	2	All	All
.....	R024089	Fitting, 90 Degree Fuel Return 1/4" NPTx 3/8" Hose Barb	2	All	All
.....	R024163	Fitting, Elbow, Male 1/4" NPT X 3/8" Flare	1	All	All
.....	R024187	Fitting, Carb-To-Fuel Line, 7/8"-20 x 06 JIC Male Flare	1	All	All
.....	R024059	Adaptor, Oil Sender	1	All	All
.....	R090180	Bracket, Feed Pump Mounting	1	All	All
.....	R094035	Grommet, Electric Feed Pump To Bracket Isolating	3	All	All
.....	R096141	Washer, Pump Isolator Compression Lower	3	All	All
.....	R096142	Washer, Pump Isolator Compression Upper	3	All	All
.....	R109047	Plate, Fuel Pump Mounting Hole Cover	1	All	All
.....	R153005	Oil Pressure Switch, Fuel Pump	1	All	All
.....	RA080018	Fuel Pump, Electric 5-6 psi	1	All	All
.....	RA085071	Hose, Fuel Feed From Low Pressure Pump To Carburetor {23" OAL}	1	All	All
.....	RK121059A	Fuel Pump Wiring Kit	1	All	All
.....	RS0302	Bolt, Hex Head, 3/8"-16 x 3/4"	2	All	All
.....	RS2180	Washer, Lock 3/8"	2	All	All
.....	RM0122	Gasket, Fuel Pum To Block	1	All	All
.....	RN0073	Filter, Fuel Inlet	1	All	All
.....	RS1521N	Nut, #10-32 (Nylok)	3	All	All
.....	R2000000	Instruction Sheet	1	All	All
RK080025A - F.C.C. FUEL PUMP REPLACEMENT KIT						
.....	R045098	Hose, Fuel	1	All	All
.....	R047214	"O" Ring	1	All	All
.....	R080026	Filter, Fuel F.C.C.	1	All	All
.....	R127087	Clamp, Closed	2	All	All
.....	RA080025A	Pump, Fuel Control Cell	1	All	All
RK090001 - MOUNTING BRACKET KIT (FORD)						
.....	R090001	Bracket, Front Mounting	1	5.0/5.8	All
.....	R095020	Bolt, Engine Mounting Lock	1	All	All
.....	RS0330	Cap Screw, Hex Head 7/16" - 14 x 1 3/4"	2	All	All
.....	RS1027	Nut, Hex 5/16" - 18	1	All	All
.....	RS1529	Nut, Hex 7/16" - 20	1	All	All
.....	RS2181	Lock Washer, 7/16"	3	All	All
.....	RS3426	Set Screw, SOC 5/16" -18 x 1 1/4"	1	All	All

ENGINE PARTS KITS AND SKIN PACKS

REF NO.	PART NUMBER	CODE	DESCRIPTION	QTY	APP	ROT
---------	-------------	------	-------------	-----	-----	-----

RK090022 - TRANSMISSION MOUNT BRACKET

.....	R090145	Block, Rear Mount	1	All	All
.....	R095020	Bolt, Engine Mounting Lock	1	All	All
.....	RS0328	Cap Screw, Hex Head 7/16" - 14 x 1 1/4"	2	All	All
.....	RS1529	Nut, Hex 7/16" - 20	1	All	All
.....	RS2181	Lock Washer, 7/16"	3	All	All

RK090056 - THROTTLE CONTROL BRACKET KIT (CARB)

.....	R090067	Bracket, Throttle Contol	1	All	All
.....	R090068	Bracket, Right Angle/Throttle	1	All	All
.....	R090069	Bracket, Throttle Cable/Carburetor	1	All	All
.....	R090070	Clamp, Throttle Cable	1	All	All
.....	R178003	Ball Joint, Connector	1	All	All
.....	RS1078	Nut, Hex Head with Lockwasher 1/4" - 20	2	All	All
.....	RS1568	Nut, Hex Jam 1/4" - 28	1	All	All
.....	RS2055	Nut, Hex Head 10 - 32 Nylock	3	All	All
.....	RS5109	Screw, Machine 1/4" - 20 X 1/2"	2	All	All
.....	RS5122	Screw, Machine Hex Head 10 - 32 x 5/8"	3	All	All

RK090057 - SHIFT CABLE BRACKET KIT (WARNER GEAR)

.....	R024024	Connector, Control Cable	1	All	All
.....	R082009	Pin, Cotter Brass 1/16" x 1"	1	All	All
.....	R090084	Bracket, Shift Support Plate	1	All	All
.....	R090085	Plate, Shift Lever	1	All	All
.....	R090086	Retainer, Shift Cable	1	All	All
.....	RS1078	Nut, Hex with Lockwasher 1/4" - 20	1	All	All
.....	RS2055	Nut, Hex 10 - 32 Nylock	2	All	All
.....	RS5114	Screw, Machine 1/4" - 20 x 1/2"	1	All	All
.....	RS5122	Screw, Hex Head Machine 10 - 32 x 5/8"	2	All	All

RK090144 - MOUNTING BRACKET KIT (PCM 1.23 GEAR) PCM40A

.....	R090144	Bracket, Front Mount	1	PCM 40A	All
.....	R095020	Bolt, Engine Mounting Lock	1	All	All
.....	RS0330	Cap Screw, Hex Head 7/16" - 14 x 1 3/4"	2	All	All
.....	RS1027	Nut, Hex 5/16" - 18	1	All	All
.....	RS1529	Nut, Hex 7/16" - 20	1	All	All
.....	RS2181	Lock Washer, 7/16"	3	All	All
.....	RS3426	Set Screw, SOC 5/16" - 18 x 1 1/4"	1	All	All

RK090177A - KIT, CRANK-DRIVEN WATER PUMP BRACKET (GM 5.7)

.....	R090177A	Bracket, Water Pump Stabilizing	1	5.7	All
.....	R045100	Hose, Isolator 1/2 Inch ID	1	5.7	All
.....	R094038	Grommet, Bracket to Pump Stabilizing	1	5.7	All
.....	RS0280	Cap Screw, Hex Head 5/16" - 18 x 3/4"	1	5.7	All
.....	RS0302	Cap Screw, Hex Head 3/8" - 16 x 3/4"	2	5.7	All
.....	RS2179	Washer, Spring Lock 5/16"	1	5.7	All
.....	RS2180	Washer, Spring Lock 3/8"	2	5.7	All
.....	RS2674	Washer, Flat 5/16"	1	5.7	All

RP098002 - REMOTE MOUNT VOLTAGE REGULATOR (FORD/GM)

.....	R098002	Regulator, Voltage	1	All	All
-------	---------	-------	--------------------	---	-----	-----

ENGINE PARTS KITS AND SKIN PACKS

REF NO.	PART NUMBER	CODE	DESCRIPTION	QTY	APP	ROT
RP0107037 - PRESTOLITE BREAKERLESS IGNITION KIT (86 & EARLIER FORD 5.0/5.8)						
....	RK107037	Breakerless Ignition Kit (Prestolite)	1	All	All
RP0107038 - PRESTOLITE BREAKERLESS IGNITION KIT (87 & LATER FORD 5.0/5.8)						
....	RK107038	Breakerless Ignition Kit (Prestolite)	1	5.0/5.8	All
RP119001 - IGNITION RESISTOR (FORD/GM)						
....	R119001	Resistor, Ignition	1	All	All
RK122014 - STARTER KIT, FORD 5.0/5.8 LEFT-HAND ROTATION (REPLACES RA122001)						
....	R017074	Nut, Starter (1992 & Later)	1	All	All
....	R126012	Cover, Starter Terminal	1	All	All
....	R129003	Boot, Medium Electrical Terminal	1	All	All
....	RA121027	Wire, Starter	1	All	All
....	R122014	Starter (1992 & Later)	1	5.0/5.8	All
....	RA125013	Cable, Starter (1992 & Later)	1	5.0/5.8	All
....		Instruction Sheet	1	All	All
RK160005 - WARNER TRANSMISSION CLUTCH PACK KIT (FORD 5.0/5.8)						
....	R160004	Clutch Pressure Plate	1	All	All
....	R160005	Clutch, Inner Plate Assembly	5	All	All
....	R160006	Clutch, Outer Plate	4	All	All
....	R160007	Clutch, Pressure Plate	1	All	All
RK160010 - WARNER TRANSMISSION CLUTCH PACK KIT (FORD 7.5)						
....	R160004	Clutch Pressure Plate	1	All	All
....	R160005	Clutch Pack Kit	7	All	All
....	R160006	Clutch, Outer Plate	6	All	All
....	R160007	Clutch Pressure Plate	1	All	All
RK160014 - CLUTCH PACK KIT (ALL PCM SERIES TRANSMISSIONS)						
....	R160014	Clutch Plate, Inner	7	All	All
....	R160015	Clutch Plate, Outer	7	All	All
RP173017 - PLUG AND BRACKET KIT (FORD/GM)						
....	R024024	Connector, Control Cable	1	All	All
....	R082009	Pin, Cotter Brass 1/16" x 1"	1	All	All
....	R090070	Clamp, Throttle Cable	1	All	All
....	RS2055	Nut, Nylock 10 - 32	2	All	All
....	RS3533	Plug, Pipe Square Head Countersunk Steel 3/4" NPT	2	All	All
....	RS3552	Plug, Pipe Hex Head Brass 1/4" NPT	3	All	All
....	RS5122	Screw, Hex Head 10 - 32 x 5/8"	2	All	All
RP173017A - PLUG AND BRACKET KIT (97 & LATER CORRECT CRAFT FORD/GM)						
....	RS3533A	Plug, Pipe Internal Hex Head Brass 3/4" NPT	2	All	All
....	RS3552	Plug, Pipe Hex Head Brass 1/4" NPT	3	All	All

ENGINE PARTS KITS AND SKIN PACKS

REF NO.	PART NUMBER	CODE	DESCRIPTION	QTY	APP	ROT
---------	-------------	------	-------------	-----	-----	-----

RP173017B - PLUG KIT (97 & LATER SEA MAXX)

.....	RS3533	Plug, Pipe Internal Hex Head Steel 3/4" NPT	2	All	All
.....	RS3552	Plug, Pipe Hex Head 1/4" NPT	3	All	All

RK173020 - ONBOARD SPARE PARTS KIT (87 AND LATER FORD 5.0/5.8)

.....	R07701	Filter, Oil, with Gasket	1	All	All
.....	R080008	Filter, Fuel Element	1	All	All
.....	R117001	Coil, Ignition	1	All	All
.....	RA080002A	Fuel Pump Assembly	1	All	All
.....	RA085002B	Line Assembly, Fuel	1	All	All
.....	RM0125	Gasket, Raw Water Pump	1	All	All
.....	RP030002	Spark Plug Kit, 14 MM	1	All	All
.....	RP061015	Impeller Kit, with O Ring	1	All	All
.....	RP066001	Drive Belt Set, Water Pump	1	All	All
.....	RP066008	Drive Belt Set, Alternator	1	All	All
.....	RP119001	Resistor, Ignition	1	All	All
.....	RP173024A	Tune Up Kit (1987 & Later)	1	5.0/5.8	All

RK173022 - ONBOARD SPARE PARTS KIT (GM 5.0/5.7)

.....	R077002	Filter, Oil, with Gasket	1	All	All
.....	R080008	Filter, Fuel Element	1	All	All
.....	R117001	Coil, Ignition	1	All	All
.....	RA080009A	Fuel Pump Assembly	1	All	All
.....	RA085018	Line Assembly, Fuel, 5.7 Holley	1	All	All
.....	RM0125	Gasket, Raw Water Pump	1	All	All
.....	RP030003	Spark Plug Kit	1	5.0/5.7/7.4	All
.....	RP061017	Impeller Kit, with "O" ring	1	All	All
.....	RP06610/21	Drive Belt Set, Water Pump, Alternator	1	All	All
.....	RP119001	Resistor, Ignition	1	All	All
.....	RP173025	Tune Up Kit	1	5.0/5.7/7.4	All

RK173023 - ONBOARD SPARE PARTS KIT (GM 7.4)

.....	R077002	Filter, Oil With Gasket	1	All	All
.....	R080008	Filter, Fuel Element	1	All	All
.....	R117001	Coil, Ignition	1	All	All
.....	R119001	Resistor, Ignition	1	All	All
.....	RA080010A	Fuel Pump Assembly	1	All	All
.....	RP030003	Spark Plug Kit , 5.0/5.7/7.4	1	All	All
.....	RP061017	Impeller Kit, With O Ring	1	All	All
.....	RP06611/21	Drive Belt Set, Water Pump, Alternator	1	All	All
.....	RP173025	Tune Up Kit	1	All	All

RP173024 - TUNE UP KIT (86 & EARLIER FORD 5.0/5.7)

.....	R103003	Rotor, Distributor	1	All	All
.....	R114002	Points, Contact	1	All	All
.....	R115002	Condenser	1	All	All
.....	RA108002	Cap, Distributor, with Clip	1	All	All

RP173024A - TUNE UP KIT (87 & LATER FORD 5.0/5.7)

.....	R103004	Rotor, Distributor	1	All	All
.....	R114002	Points, Ignition	1	All	All
.....	R115002	Condenser	1	All	All
.....	RA108003	Distributor Cap, Screw-down	1	All	All

ENGINE PARTS KITS AND SKIN PACKS

REF NO.	PART NUMBER	CODE	DESCRIPTION	QTY	APP	ROT
RP173025 - TUNE UP KIT, MALLORY DISTRIBUTOR (87 & EARLIER GM 5.0/5.7/7.4)						
.....	R103001		Rotor, Distributor	1	All	All
.....	R108001		Cap, Distributor	1	All	All
.....	R114001		Points, Ignition	1	All	All
.....	R115001		Condenser	1	All	All
.....	RM0049		Gasket, Distributor Cap	1	All	All
RP173025A - MALLORY DISTRIBUTOR TUNE UP KIT (1988 & LATER GM 5.0/5.7/7.4)						
.....	R103001		Rotor, Distributor	1	All	All
.....	R108001		Cap, Distributor	1	All	All
.....	R114004		Points, Ignition	1	All	All
.....	R115001		Condenser, Ignition	1	All	All
.....	RM0049		Gasket, Distributor Cap	1	All	All
RP173029 - EXHAUST MANIFOLD GASKET & FASTENER SERVICE KIT (FORD)						
....	R024006A		Elbow, 3/4 inch NPT x 1 inch Hose Barb	2	All	All
.....	RM0002		Gasket, Exhaust Riser	2	All	All
.....	RM0007		Gasket, Exhaust Manifold	2	All	All
.....	RS0283		Cap Screw, Hex Head, 5/16" - 18 x 1 1/4"	8	All	All
.....	RS0387		Cap Screw, Hex Head, 5/16" - 18 x 5 1/4" zinc	4	All	All
.....	RS2179		Washer, Lock, Spring, 5/16"	8	All	All
.....	RS3533		Plug, Pipe, Countersunk Hex Head 3/4" NPT	2	All	All
.....	RS3851		Clamp, Hose, No. 16 (1 Inch)	2	All	All
.....	RS3945		Cap Screw, Socket Head 3/8" - 16 x 1 1/8"	16	All	All
RP173054 - REAR ENTRY MPM SHIFT HARDWARE KIT						
.....	R009134		Bolt, Soulder 5/16" x 5/8", 1/4" - 20	1	All	All
.....	R024024		Connector, Control Cable	1	All	All
.....	R24104A		Adapter, Shift Cable	1	All	All
.....	R082009		Pin, Brass Cotter 1/16" x 1"	1	All	All
....	R082054A		Clip, Retaining Shift Cable	1	All	All
RK173055 - APPEARANCE PACKAGE (FORD 5.0/5.7)						
....	R033001C		Valve Cover, Aluminum Left-hand	1	All	All
....	R033002B		Valve Cover, Aluminum Right-hand	1	All	All
....	R145006A		Flame Arrestor, 8-inch (with Bonnet)	1	All	All
.....	RM0039		Gasket, Valve Cover (Ford)	1	All	All
RK173058 - KIT, GASKET/OIL SEAL (PCM 40A TRANSMISSION) 1: 1.23						
.....	R017071		Nut, Output Flange	1	All	All
.....	R047184		O-ring, Valve Assembly	1	All	All
.....	R047185		Seal, Pump Cover	1	All	All
.....	R047186		O-ring, Pump Cover (Small)	2	All	All
.....	R047187		O-ring, Pump Cover (Large)	1	All	All
.....	R047188		O-ring, Piston Outer Diameter	2	All	All
.....	R047189		O-ring, Piston Inner Diameter	2	All	All
.....	R047190		O-ring, Dipstick	2	All	All
.....	R047191		Seal, Rear Flange	1	All	All
.....	R047192		O-ring, Seal Retaining Flange	1	All	All
.....	R048104		Ring, Retaining Reverse Clutch Drive Gear	1	All	All
.....	R048108		Ring, Retaining, Piston Spring	1	All	All
.....	R048110		Oil Ring, Clutch Cylinder	2	All	All
.....	R165006		Ball, Steel	1	All	All

ENGINE PARTS KITS AND SKIN PACKS

REF NO.	PART NUMBER	CODE	DESCRIPTION	QTY	APP	ROT
.....	RM0208	Gasket, Adapter Housing To Case	1	All	All
.....	RT0068	Sealant, Blue Locktite	1	All	All
RK173059 - GASKET/OIL SEAL KIT (PCM 40I TRANSMISSION) 1:1						
.....	R017072	Nut, Output Flange	1	All	All
.....	R047184	O-ring, Valve Assembly	1	All	All
.....	R047185	Seal, Pump Cover (Small)	1	All	All
.....	R047186	O-ring, Pump Cover (Large)	1	All	All
.....	R047188	O-ring, Piston Outer Diameter	2	All	All
.....	R047189	O-ring, Piston Inner Diameter	2	All	All
.....	R047190	O-ring, Dipstick	2	All	All
.....	R047194	Seal, Output	1	All	All
.....	R048104	Ring, Retaining, Reverse Clutch Drive Gear	1	All	All
.....	R048108	Ring, Retaining, Piston Spring	1	All	All
.....	R048110	Oil Ring, Clutch Cylinder	2	All	All
.....	R165006	Ball, Steel	1	All	All
.....	RM208	Gasket, Adapter Housing To Case	1	All	All
RK173060 - GASKET/OIL SEAL KIT (PCM 40 TRANSMISSION)						
.....	R047184	O-ring, Valve Assembly	1	All	All
.....	R047185	Seal, Pump Cover	1	All	All
.....	R047186	O-Ring, Pump Cover (Small)	2	All	All
.....	R047187	O-Ring, Pump Cover (Large)	1	All	All
.....	R047188	O-ring, Piston OD	2	All	All
.....	R047189	O-Ring, Piston ID	2	All	All
.....	R047190	O-ring, Dipstick	2	All	All
.....	R047194	Seal, Output	1	1:1	All
.....	R048104	Retaining Ring, Reverse Clutch Drive Gear	1	All	All
.....	R048108	Retaining Ring, Piston Spring	1	All	All
.....	R048110	Oil Ring, Clutch Cylinder	2	All	All
.....	R165006	Ball, Steel (S1500 & All PCM Transmissions)	1	All	All
.....	RM0208	Gasket, Adapter Housing To Case	1	All	All
RK173062 - ELECTRONIC ENGINE MANAGEMENT SYSTEM KIT (FORD 5.8 LEFT-HAND ROTATION)						
.....	R020014	Switch, Water Temperature	1	All	All
.....	R020015	Switch, Oil Pressure	1	All	All
.....	R020020	Knock Sensor, Two-Terminal	1	All	All
.....	R024145	Fitting, Oil Sender	1	All	All
.....	R060050	Cover, Engine	1	All	All
.....	R090152	Bracket, Module	1	All	All
.....	R121025B	Harness, Wire EEMS	1	All	All
.....	R130001	Relay, Starter	1	All	All
.....	R143067	Decal, Pro-Tec (Engine Cover)	1	All	All
.....	R153006B	Circuit Breaker, 50 Amp	1	All	All
.....	R153007	Circuit Breaker, 12.5 Amp	1	All	All
.....	RA107028	Module, With Coil	1	All	All
.....	RA107032	Trigger Assembly, EEMS	1	5.8	LH
.....	RA121040	Wire Set, Ignition	1	5.8	LH
.....	RS1046	Nut, Hex Brass 5/16" - 18	2	All	All
.....	RS1078	Nut, Hex with Shakeproof Washer 1/4" - 20	5	All	All
.....	RS1521	Nut, Hex Steel (Nylok) 10 - 32	1	All	All
.....	RS1540	Nut, Hex Brass 10 - 32	2	All	All
.....	RS2176	Lockwasher, No. 10	1	All	All
.....	RS2197	Lockwasher, Brass, No. 10	2	All	All
.....	RS2200	Lockwasher, Silicone Bronze 5/16"	2	All	All
.....	RS5084	Screw, Machine 8 - 32 X 5/16"	4	All	All
.....	RS5113	Screw, Self-Tapping 1/4" - 20 x 1/2"	2	All	All

ENGINE PARTS KITS AND SKIN PACKS

REF NO.	PART NUMBER	CODE	DESCRIPTION	QTY	APP	ROT
---------	-------------	------	-------------	-----	-----	-----

RK173063 -ELECTRONIC ENGINE MANAGEMENT SYSTEM KIT (FORD 5.8 RIGHT-HAND ROTATION)

..... R020014	Switch, Water Temperature	1	All	All
..... R020015	Switch, Oil Pressure	1	All	All
..... R020020	Knock Sensor, Two-Terminal	1	All	All
..... R024145	Fitting, Oil Sender	1	All	All
..... R060050	Cover, Engine	1	All	All
..... R090152	Bracket, Module	1	All	All
..... R121025B	Wire Harness, Ford	1	All	All
..... R130001	Relay, Starter	1	All	All
..... R143067	Decal, Pro Tec (Engine Cover)	1	All	All
..... R153006B	Circuit Breaker, 50 Amp	1	All	All
..... R153007	Circuit Breaker, 12.5 Amp	1	All	All
..... RA107028	Module, With Coil	1	All	All
..... RA107034	Trigger Assembly, EEMS	1	5.8	RH
..... RA121040	Wire Set, Ignition, 8 MM	1	5.8	RH
..... RS1046	Nut, Hex Brass 5/16" - 18	2	All	All
..... RS1078	Nut, Hex With Shakeproof Washer 1/4" - 20	5	All	All
..... RS1521	Nut, Hex Steel (Nylok) 10 -32	1	All	All
..... RS1540	Nut, Hex Brass 10 - 32	2	All	All
..... RS2176	Lockwasher, No. 10	1	All	All
..... RS2197	Lockwasher, Brass No. 10	2	All	All
..... RS2200	Lockwasher, Silicon Bronze 5/16"	2	All	All
..... RS5084	Screw, Machine 8 - 32 x 3/4"	4	All	All
..... RS5113	Screw, Self-Tapping 1/4" - 20 x 1/2"	2	All	All

RK173064 -ELECTRONIC ENGINE MANAGEMENT SYSTEM (GM 5.7/7.4)

..... R020014A	Switch, Water Temperature	1	All	All
..... R020015	Switch, Oil Pressure	1	All	All
..... R020020	Knock Sensor, Two-Terminal	1	All	All
..... R024145	Fitting, Oil sender	1	All	All
..... R060050	Cover, Engine	1	All	All
..... R090153	Bracket, Module	1	All	All
..... R121026B	Harness, Wire	1	All	All
..... R130001	Relay, Starter	1	All	All
..... R143067	Decal, Pro Tec (Engine Cover)	1	All	All
..... R153006B	Circuit Breaker, 50 Amp	1	All	All
..... R153007	Circuit Breaker, 12.5 Amp	1	All	All
..... RA107029	Module, With Coil	1	All	All
..... RA107033	Trigger Assembly, EEMS	1	All	All
..... RA121042	Wire Set, Ignition, 8 MM	1	All	All
..... RM0123	Gasket, Distributor-to-Block	1	All	All
..... RS0280	Cap Screw, Hex Head, 5/16" - 18 x 3/4"	2	All	All
..... RS1046	Nut, Hex Brass 5/16" - 18	2	All	All
..... RS1078	Nut, with Shakeproof Washer 1/4"- 20	5	All	All
..... RS1521	Nut, Hex 10 - 32	2	All	All
..... RS2176	Lockwasher, No. 10	1	All	All
..... RS2197	Lockwasher, Brass No. 10	2	All	All
..... RS2200	Lockwasher, Silicon Bronze 5/16"	2	All	All
..... RS2461	Lockwasher, Shakeproof 5/16"	2	All	All
..... RS5084	Screw, Machine 8 -32 x 3/4"	4	All	All
..... RS5113	Screw, Self-Tapping 1/4" - 20 x 1/2"	2	All	All

ENGINE PARTS KITS AND SKIN PACKS

REF NO.	PART NUMBER	CODE	DESCRIPTION	QTY	APP	ROT
RK173069 - ALTERNATOR CONVERSION KIT (FORD 5.0/5.8, LEFT-HAND ROTATION)						
.....	R065023		Pulley, Alternator	1	All	All
.....	R090055B		Bracket, Alternator LH	1	All	LH
.....	R121025A		Wire Harness, Engine	1	All	LH
.....	R153006B		Circuit Breaker, 50 Amp	1	All	All
.....	RS0315		Cap Screw, Hex Head, 3/8" - 16 x 3 3/4"	1	All	All
.....	RS1028		Nut, Hex 3/8" - 16	1	All	All
.....	RS2180		Lockwasher, Helical Spring 3/8"	1	All	All
RK173070 - ALTERNATOR CONVERSION KIT (FORD 5.0/5.8, RIGHT-HAND ROTATION)						
.....	R065023		Pulley, Alternator	1	All	All
.....	R090055C		Bracket, Alternator RH	1	All	RH
.....	R121025A		Wire Harness, Engine	1	All	RH
.....	R153006B		Circuit Breaker, 50 Amp	1	All	All
.....	RS0315		Cap Screw, Hex Head, 3/8" - 16 x 3/4"	1	All	All
.....	RS1028		Nut, Hex 3/8" - 16	1	All	All
.....	RS2180		Lockwasher, Helical Spring, 3/8"	1	All	All
RP173071 - BREAKERLESS IGNITION KIT (6°) (86 & EARLIER FORD 5.0/5.8)						
.....	RK107037		Breakerless Ignition Kit, 6 Degree	1	5.0/5.8	All
RP173072 - BREAKERLESS IGNITION KIT (10°) (87 & LATER FORD 5.0/5.8)						
.....	RK0107038		Breakerless Igniton Kit. 10 Degree	1	5.0/5.8	All
RP173073 - CAP & ROTOR (SCREW HOLD DOWN) FORD 87 & LATER)						
.....	R103004		Rotor, Distributor	1	87 & Later	All
.....	RA108003		Cap, Distributor	1	87 & Later	All
RP173074 - CAP & ROTOR (CLIP HOLD DOWN) (FORD 86 & EARLIER)						
.....	R103003		Rotor, Distributor	1	86 & Earlier	All
.....	RA108002		Cap, Distributor	1	86 & Earlier	All
.....	RM0118		Gasket, Distributor Cap	1	86 & Earlier	All
RK173075 - CHROME PULLEY KIT (FORD 5.0/5.8)						
.....	RD057007		Water Pump Assembly, Chrome	1	All	All
.....	RD061004		Ventilating Fan, Chrome	1	All	All
.....	RD065001		Pulley, Engine Circulating Pump, Chrome	1	All	All
.....	RD065002		Pulley, Crankshaft, Two-Groove, Chrome	1	All	All
.....	RD65023		Pulley, Alternator Chrome	1	All	All
.....	RD099007		Strap, Alternator Adjusting, Chrome	1	All	All
RK173076 - DRESS-UP PACKAGE, UPPER END CHROME (FORD 5.8)						
.....	R033001D		Valve Cover, Left-Hand Chrome	1	5.8	All
.....	R033002C		Valve Cover, Right-Hand Chrome	1	5.8	All
.....	R145006A		Flame Arrestor, 8-Inch (With Bonnet)	1	All	All
.....	RD025002		Housing, Thermostat Upper Chrome	1	All	All
.....	RD041031		Tube, Dipstick, Chrome Left-Hand Side of Engine	1	5.8	All
.....	RD041032		Dipstick, (For RD041031) Chrome	1	5.8	All
.....	RD042001		Eye, Lifting Chrome	2	5.8	All
.....	RD085002B		Fuel Line, Carter Fuel Pump, Chrome	1	All	All

ENGINE PARTS KITS AND SKIN PACKS

REF NO.	PART NUMBER	CODE	DESCRIPTION	QTY	APP	ROT
RK173077 - CHROME BRACKET KIT (FORD 5.8)						
.....	RD090008		Bracket, Water Pump Mount, Chrome	1	All	All
.....	RD090010		Bracket, Oil Cooler, Chrome	1	All	All
.....	RD090067		Bracket, Throttle Large Flat, Chrome	1	All	All
.....	RD090068		Bracket, Throttle Right-hand Angle, Chrome	1	All	All
.....	RD090086		Retainer, Shift Cable, Chrome	1	All	All
.....	RD090143		Bracket, Shift Cable, Front End, Chrome	1	All	All
.....	RD090152		Bracket, Module, Chrome	1	All	All
.....	RD166018		Shift Lever, Straight, Chrome	1	All	All
RK173078 - MANIFOLD/RISER CHROME KIT (FORD 5.0/5.8)						
.....	RD028001		Manifold, Exhaust, Chrome	1	All	All
.....	RD029011		Exhaust Riser, Exhaust Chrome	1	All	All
RK173079 - COMPLETE CHROME DRESS UP KIT (FORD 5.0/5.8)						
.....	R033001D		Valve Cover, Left-Hand Chrome	1	All	All
.....	R033002C		Valve Cover, Right-Hand Chrome	1	All	All
.....	R145006A		Flame Arrestor, 8-Inch (With Bonnet)	1	All	All
.....	RD025002		Housing, Thermostat Upper Chrome	1	All	All
.....	RD041031		Tube, Dipstick Chrome (351 Left-Hand Side)	1	5.8	All
.....	RD041032		Dipstick, (For RD041031) Chrome	1	5.8	All
.....	RD042001		Eye, Lifting Chrome	2	All	All
.....	RD057007		Water Pump Assembly, Chrome	1	All	All
.....	RD061004		Ventilating Fan, Chrome	1	All	All
.....	RD065001		Pulley, Engine Circulating Pump, Chrome	1	All	All
.....	RD065002		Pulley, Crankshaft, 2-Groove	1	All	All
.....	RD065023		Pulley, Alternator, Chrome	1	All	All
.....	RD085002B		Fuel Line, Carter Pump, Chrome	1	All	All
.....	RD090008		Bracket, Water Pump Mount, Chrome	1	All	All
.....	RD090010		Bracket, Oil Cooler, Chrome	1	All	All
.....	RD090067		Bracket, Throttle Large Flat Chrome	1	All	All
.....	RD090068		Bracket, Throttle Right-Hand Angle Chrome	1	All	All
.....	RD090086		Retainer, Shift Cable Chrome	1	All	All
.....	RD090143		Bracket, Shift Cable, Front End Chrome	1	All	All
.....	RD090152		Bracket, Module, Chrome	1	All	All
.....	RD099007		Strap, Alternator Adjusting Chrome	1	All	All
.....	RD166018		Shift Lever, Straight Chrome	1	All	All
RK173080 - PCV RETROFIT KIT, (GM 5.7)						
.....	R024013A		Elbow, Valve Cover Vent	1	All	All
.....	R035023		Valve, PCV (Power Plus)	1	All	All
.....	R045050		Hose, PCV Valve	1	All	All
.....	R094032		Grommet, PCV (For Cast Aluminum Valve Cover)	1	All	All
.....	R127038A		Cable Tie, 6 Inch	1	All	All
RP173081 - CAP & ROTOR (GM) (DISTRIBUTOR RA107039D)						
.....	R103008		Rotor, Ignition	1	All	All
.....	RA108006		Cap, Distributor	1	All	All
RP173082 - CAP & ROTOR (FORD GT-40) (DISTRIBUTOR RA107040)						
.....	R103009		Rotor, Distributor	1	All	All
.....	RA108007		Distributor, Cap	1	5.8 EFI	All

OPTIONS AND KITS

REF NO.	PART NUMBER	DESCRIPTION	QTY	APP	ROT
---------	-------------	-------------	-----	-----	-----

INSTRUMENT PANEL AND OPTIONS

.....	RA152001	Panel w/20 ft. harness	AR	All Engines	All
.....	R121007	20 ft. harness extension	AR	All	All
.....	RK121012	Dual station panel adapter kit consists of:	AR	All Dual station	All
.....	R020006	Oil pressure sender, dual	1		
.....	R020005	Water temperature sender, dual	1		
.....	RS3681	Temperature sender bushing 1/2 to 3/8	1		
.....	R121024	Electric harness w/plug	1		
.....	R121014	Wiring harness extension, 10 ft.	AR	All	All

PAINT

.....	RT0057	Paint, 16 oz. spray can, silver	AR		
.....	RT0060	Paint, 16 oz. spray can, black	AR		

ON BOARD SPARE PARTS KIT

PCM MODEL

DESCRIPTION	QTY.	302 & 351 RK173020	460 RK 173021	305 & 350 RK173022	454 RK173023
Fuel Filter Element	1	R080008	R080008	R080008	R080008
Distributor Tune Up Kit: Point, Condenser, Rotor, Cap	1	RP173024A	RP173024	RP173025	RP173025
Ignition Coil		R117001	R117001	R117001	R117001
Ignition Resistor	1	R119001	R119001	R-119001	R119001
Spark Plugs	8	R030002	R030002	R030003	R030003
Fuel Pump Assembly & Gasket	1	RA080002A	RA080007	RA080009A	RA080010A
Drive Belt Raw Water Pump	1	R066008	R066004	R066021	R066021
Drive Belt Alternator	1	R066001	R066005	R066010	R066011
Impeller Sea Water Pump	1	R061015	R061016	R061017	R061017
Oil Filter Assembly	1	R077001	R077001	R077002	R077002
Gasket or "O" Ring Water Pump	1	R047111	(2)RM0109	RM0125	RM0125

ON BOARD SPARE PARTS KITS

REF NO.	PART NUMBER	CODE	DESCRIPTION	QTY	APP	ROT
RK173020	PCM 5.0 & 5.8	1970 to 1986	Prestolite Distributor	1	5.0 & 5.8	All
....	RP173024	F	Tune Up Kit Prestolite {Points, Cond, Clip on Cap & Rotor}	1		
....	R117001	F	Ignition Coil	1		
....	R119001	F	Ignition Resistor	1		
....	RP030002	F	Spark Plugs {8 in Skin Pack}	1		
....	RA080002A	F	Fuel Pump {Mechanical with Gasket}	1		
....	RP066001/8	F	Drive Belt Set {Alternator & Water Pump}	1		
....	RP061015	F	Impeller & "O" Ring	1		
....	R077001	F	Oil Filter	1		
RK173020A	PCM 5.0 & 5.8	1987 to 1994	Prestolite Distributor	1	5.0 & 5.8	All
....	RP173024A	F	Tune Up Kit Prestolite {Points, Cond, Bolt on Cap & Rotor}	1		
....	R117001	F	Ignition Coil	1		
....	R119001	F	Ignition Resistor	1		
....	RP030002	F	Spark Plugs {8 in Skin Pack}	1		
....	RA080002A	F	Fuel Pump {Mechanical with Gasket}	1		
....	RP066001/8	F	Drive Belt Set {Alternator & Water Pump}	1		
....	RP061015	F	Impeller & "O" Ring	1		
....	R077001	F	Oil Filter	1		
RK173020B	PCM 5.0 & 5.8	1994 to 1998 {Std. Eng.}	Prestolite Distributor {Breakerless}	1	5.0 & 5.8	All
....	RP173073	F	Tune Up Kit Prestolite {Bolt on Cap & Rotor}	1		
....	R117001	F	Ignition Coil	1		
....	RP030002	F	Spark Plugs {8 in Skin Pack}	1		
....	RA080002A	F	Fuel Pump {Mechanical with Gasket}	1		
....	RP066001/8	F	Drive Belt Set {Alternator & Water Pump}	1		
....	RP061015	F	Impeller & "O" Ring	1		
....	R077001	F	Oil Filter	1		
RK173020C	PCM 5.0 & 5.8	1991 to 1998 {GT Eng.}	Prestolite Distributor {Breakerless}	1	5.0 & 5.8	All
....	RP173025A	F	Tune Up Kit Prestolite {Bolt on Cap & Rotor}	1		
....	R117001	F	Ignition Coil	1		
....	RP030007	F	Spark Plugs {8 in Skin Pack}	1		
....	RA080002A	F	Fuel Pump {Mechanical with Gasket}	1		
....	RP066001/8	F	Drive Belt Set {Alternator & Water Pump}	1		
....	RP061015	F	Impeller & "O" Ring	1		
....	R077001	F	Oil Filter	1		
RK173020	PCM 5.8	1992 to 1995	Pro Tec Ignition {Standard Engine}	1	5.0 & 5.8	All
....	RP030002	F	Spark Plugs {8 in Skin Pack}	1		
....	RA080002A	F	Fuel Pump {Mechanical with Gasket}	1		
....	RP066001/8	F	Drive Belt Set {Alternator & Water Pump}	1		
....	RP061015	F	Impeller & "O" Ring	1		
....	R077001	F	Oil Filter	1		

BLANK PAGE

ENGINE MOUNT GROUP

REF NO.	PART NUMBER	CODE	DESCRIPTION	QTY	APP	ROT
---------	-------------	------	-------------	-----	-----	-----

FORD FRONT MOUNT

1	RC091001	F	Trunnion Assembly, Items 1A Through 9	2	All Ford Front	All
1	RA092016	F	Trunnion Assembly, Items 1A Through 9	2	AR	All
1A	R092005	F	Foot, Mount As Pictured	2	All Ford Front	All
1A	R092016	F	Foot, Mount Flat Surface Mount With Vertical Section Removed	2	AR	All
2	R095001	F	Stud, Trunnion	2	All Ford Front	All
3	R091001	F	Trunnion For PCM Standard 3/4" Stud	2	All Front	All
3	R091001	F	Trunnion For After Market 5/8" Stud	2	AR	All
4	RS1075	F	Nut, Adjustment And Lock 3/4"-10	4	All Ford Front	All
5	RS2186	F	Washer, Lock Adjusting Nut 3/4"	2	All Ford Front	All
6	R096043	F	Washer, Flat Isolator Top	2	All Ford Front	All
7	R094007	F	Isolator, Rubber	2	All Ford Front	All
8	R096001	F	Washer, Flat Isolator Lower	2	All Ford Front	All
9	RS1082	U	Nut, Two Way Locking, Stud Retaining {Special} 5/8"-18	2	All Ford Front	All

FORD MOUNT BRACKETS

10	R090001	F	Bracket, Engine Mounting Front (1:1)	2	All 1:1	All
10	RK090001	F	Kit, Bracket Engine Mounting {Includes 10, 13, 14 And 15}	2	All 1:1	All
10A	R090144	F	Bracket, Engine Mounting Front (1.23:1)	2	PCM 1.23	All
10A	RK090144	F	Kit, Bracket Engine Mounting {Includes 10, 13, 14 And 15}	2	PCM 1.23	All
11	RS0330	U	Bolt, Bracket To Engine 7/16"-14 x 1 3/4"	4	All Ford Front	All
12	RS2181	U	Washer, Lock Bracket Bolt 7/16"	4	All Ford Front	All
13	R095020	F	Stud, Trunnion Locking {Special}	3	All Ford Front	All
14	RS2181	U	Washer, Lock Clamp Bolt 7/16"	4	All Ford Front	All
15	RS1529	U	Nut, Clamp Bolt 7/16"-20	4	All Ford Front	All
16	RS1027	U	Nut, Steady Rest Screw 5/16"-18	2	All Ford Front	All
17	RS3426	U	Stud, Steady Rest, Hex Socket Head 5/16"-18 x 1 1/4"	2	All Ford Front	All

GM FRONT MOUNT

13	RS95020	U	Bolt, Trunnion Wedge	2	All GM	All
14	RS2181	U	Washer, Lock 7/16"	2	All GM	All
15	RS1529	U	Nut, Trunnion Wedge Bolt 7/16" 20	2	All GM	All
18	RS2180	U	Washer, Lock 3/8"	4	5.0,5.7	All
18	RS2181	U	Washer, Lock 7/16"	2	5.0,5.7	All
19	RS0306	U	Bolt, Short Mount Bracket Attaching 3/8" 16 x 1 1/2"	4	5.0, 5.7	All
19	RS0328	U	Bolt, Short Mount Bracket Attaching 7/16" 14 x 1 1/4"	4	7.4	All
19	RS0311	U	Bolt, Tall Front Mount Bracket Attaching 3/8" 16 x 2 3/4"	2	AR	All
20	RS3442	U	Stud, Tall Front Mount Bracket Attaching 3/8" 16 x 2"	2	AR	All
20A	RS1028	U	Nut, Hex Head 3/8" 16	2	AR	All
21	RS90071	GM	Bracket, Front Mount (Short)	AR	All GM	All
22	RS90071A	GM	Bracket, Front Mount (Tall)	AR	All GM	All

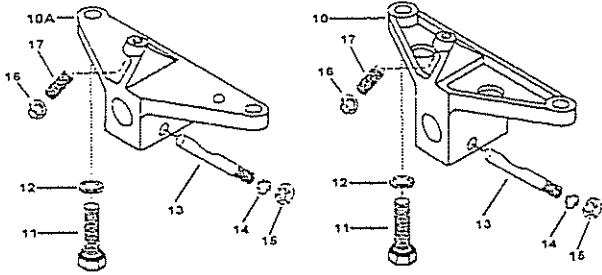
REAR MOUNT {All Reverse And Reduction Gears and Vee Drives}

9	RS1082	U	Nut, Two Way Self Locking 5/8"-18	2	All	All
11	RS0329	U	Bolt, Bracket To Drive 7/16"-14 x 1 1/2"			
			{Use With R090205 Bracket}	4	1998 On	All
13	R095020	U	Stud, Trunnion Locking {Special}	2	All	All
14	RS2181	U	Washer, Clamp Bolt Lock 7/16"	2	All	All
15	RS1529	U	Nut, Trunnion Locking Stud 7/16"-20	2	All	All
18	RS2181	U	Washer, Bracket Bolt Lock 7/16"	4	All	All
19	RS0328	U	Bolt, Bracket To Drive 7/16"-14 x 1 1/4"			
			{Use With R090145 Bracket}	4	All To 1998	All
23	RA091003	U	Trunnion, Assembly. {Includes 23A thru 31+9} Original Trunnion	2	All 1:1 To 1998	All
23	RA092011	U	Trunnion, Assembly. {Includes 23A thru 31+9} Long Trunnion	2	PCM1.23.1 To 1998	All
23	RA091006	U	Trunnion, Assembly. {Includes 23A thru 31+9} Short Trunnion	2	All 1:1 1998 On	All
23	RA092011A	U	Trunnion, Assembly. {Includes 23A thru 31+9} Short Trunnion	2	All 1.23.1 1998 On	All
23A	R092003	U	Foot, Rear Mount	2	All 1:1	All
23B	R092011	U	Foot, Rear Mount	2	PCM 1.23	All

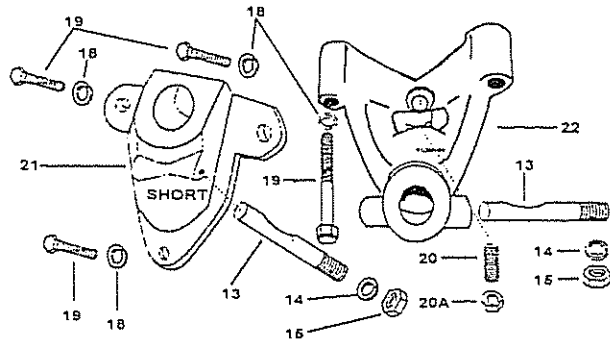
THE ILLUSTRATION FOR REFERENCE NUMBERS ON THIS PAGE WILL BE FOUND ON FIGURE M1

ENGINE AND TRANSMISSION MOUNTS

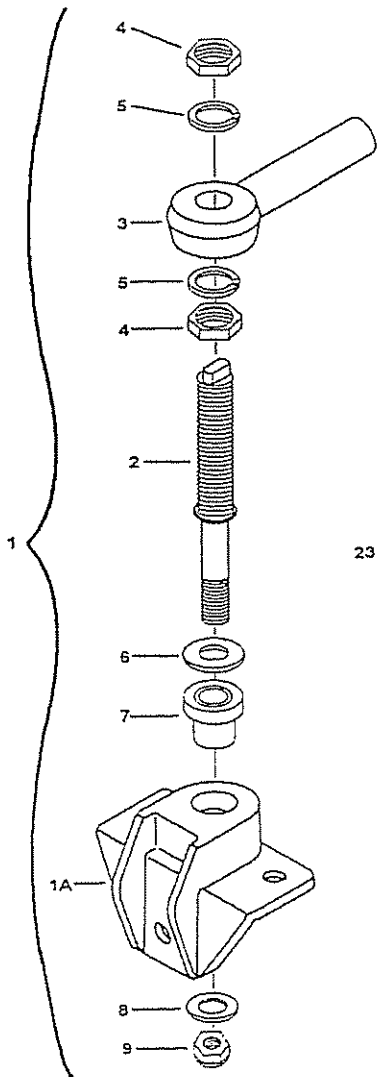
FORD ATTACHING BRACKETS



GM FRONT



FORD FRONT



REAR MOUNT



REAR MOUNT BRACKET

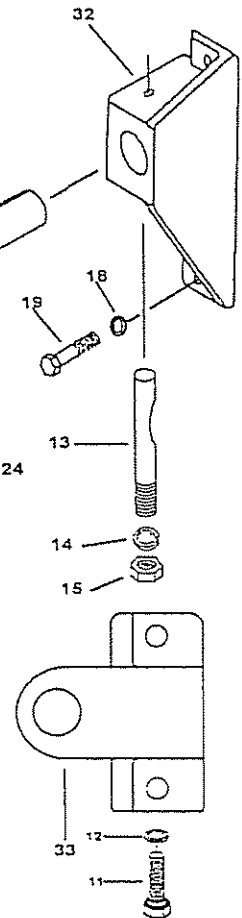


FIGURE M1

D:mountse

ENGINE MOUNT GROUP

REF NO.	PART NUMBER	CODE	DESCRIPTION	QTY	APP	ROT
24	R095002	U	Stud, Trunnion	2	All	All
25	R091003	U	Trunnion Original {R090145 Bracket, Long}	2	All	All
25	R091006	U	Trunnion Space Saver Bracket {R090205 Bracket, Short}	2	1998 On	All
26	RS1577	U	Nut, Adjustment And Lock 1"-14	2	All	All
27	R094004	U	Isolator	2	All	All
28	R096001	U	Washer, Flat Isolator,, Top	2	All	All
29	R094017	U	Isolator, Rubber Rear Mount Lower	2	All	All
30	R096002	U	Washer, Flat Lower Isolator	2	All	All
31	R017032	U	Snap Ring	2	All	All
NI	R090022A	U	Bracket, {HURTH} Drive Attaching {Includes 13, 14 And 15}	2	All	All
NI	R090174	U	Bracket, Cast {HURTH} Drive Attaching {Includes 13, 14 And 15}	2	All	All
NI	R090022B	U	Bracket, {TWIN DISK} Drive Attaching {Includes 13, 14 And 15}	2	All	All
NI	R090022C	U	Bracket, {WARNER 5000} Drive Attaching {Includes 13, 14 & 15}	2	All	All
NI	R090200	U	Bracket, {WARNER 5000} Drive Attaching Right {Includes 13, 14 & 15}	2	All	All
NI	R090201	U	Bracket, {WARNER 5000} Drive Attaching Left {Includes 13, 14 And 15}	2	All	All
32	R090145	U	Bracket, Drive Attaching {Optional After 1998}	2	Prior To 1998	All
33	R090205	U	Bracket, Drive Attaching Space Saving {All Except VEE Drive Applications}	2	1998 On	All

ENGINE AND TRANSMISSION MOUNTS

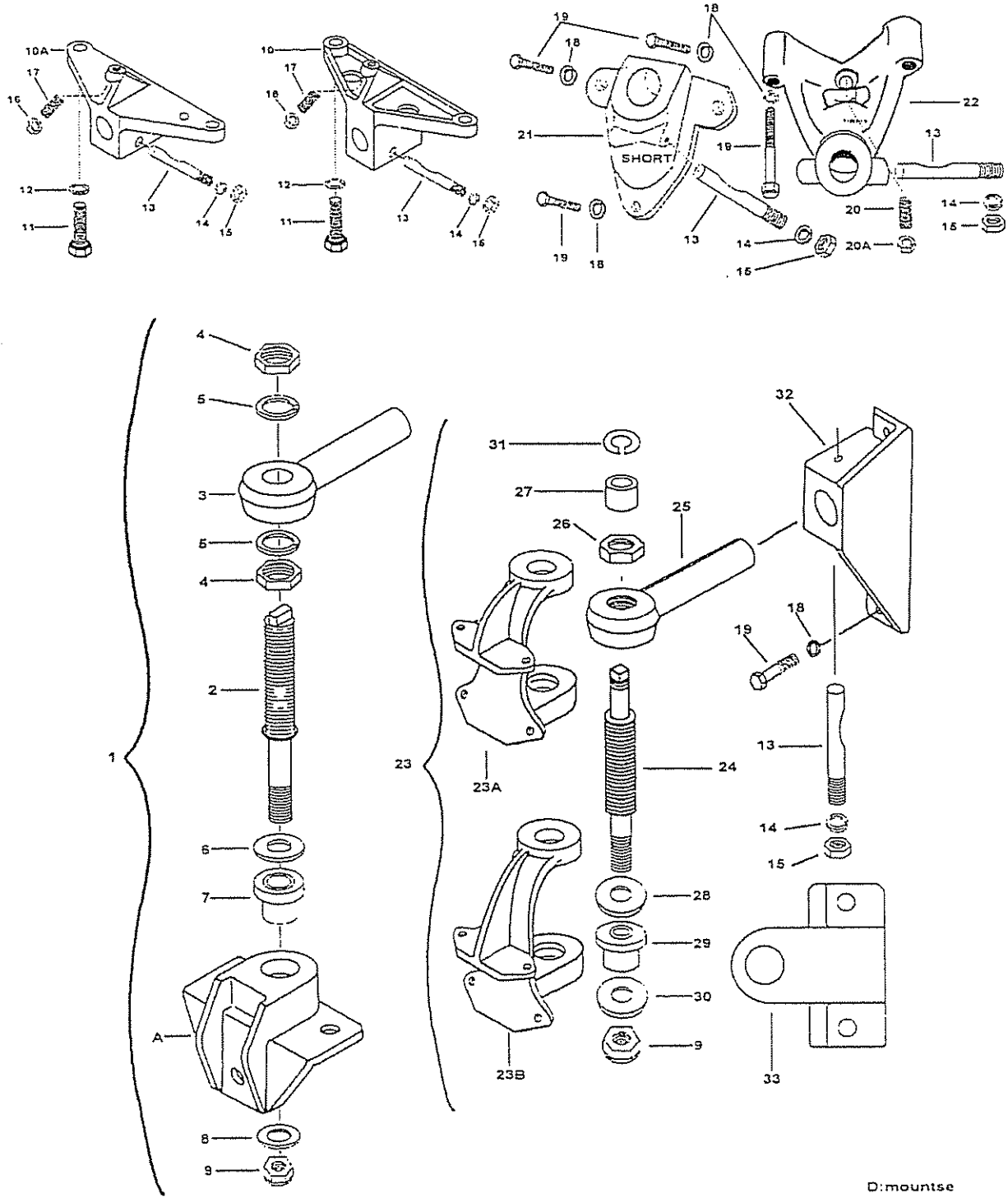


FIGURE M1

D:mountse

GM 4.3 AND 5.7 REPOWER

REF NO.	PART NUMBER	CODE	DESCRIPTION	QTY	APP	ROT
---------	-------------	------	-------------	-----	-----	-----

GM 3.0 REPOWER

.... RB001014A GM . Base Engine, 3.0 HO GM 4 Cylinder 1 GM 3.0 LH

GM 4.3 REPOWER

.... RB001016 GM . Base Engine, 4.3L GM V6 Vortex 1 GM V6 LH
 R077006 GM . Filter, Engine Oil 1 GM V6 All
 R028019 GM . Manifold, Exhaust Volvo Style 1 GM V6 All
 RA107041 GM . Distributor, Assembly Complete Breakerless Delco 1 GM V6 All

GM 5.7 REPOWER

.... R028020 GM . Manifold, Exhaust Osco 2 GM 5.7 All
 R029014 GM . Riser, Osco {Mercruiser Style} 2 GM 5.7 All
 R009165 GM . Bolt, Manifold Attaching 3/8" - 16 x 4 1/4" HHCS Grade 8 4 GM 5.7 All
 R009166 GM . Bolt, Manifold Attaching 3/8" - 16 x 6" HHCS Grade 8 4 GM 5.7 All
 R045106 GM . Hose, Molded Engine Oil Cooler to Sea Water Pump Inlet 1 5.7 All
 R090190 GM . Bracket, Ignition Coil And Remote Oil Filter Mounting 1 5.7 All
 R095027 U . Stud, Front Mount 3/8" - 16 x 2" 2 5.7 All

ROCHESTER EQUIPPED

.... RA052009 GM . Carburetor, Rochester, 4V Quadrajets * See Note 1 GM 5.7 All
 R090185 GM . Bracket, Main Electrical Component Mounting * See Note 1 GM 5.7 All
 RA121066 GM . Harness, Engine Wiring (Special Repower Engine) * See Note 1 GM 5.7 All
 RM0241 GM . Gasket, Manifold To Riser {Osco Mercruiser Style} * See Note 2 GM 5.7 All
 RA085069 GM . Line, Fuel From Mechanical Fuel Pump To Rochester Carburetor
 * See Note 1 GM 5.7 All
 R117005 GM . Coil, Delco Ignition Flat Base Bracket 3 1/2" Bolt Mount Pattern
 * See Note 1 A/R All
 R117007 GM . Coil, Delco Ignition 90° Base Bracket 4 1/4" Bolt Mount Pattern
 * See Note 1 A/R All
 RA107039D GM . Distributor Assembly Complete, Breakerless Delco* See Note 1 GM 5.7 All

HOLLEY EQUIPPED

.... RA052003 GM . Carburetor, Holley 4V (# See Note) 1 GM 5.7 All
 R090185A GM . Bracket, Main Electrical Component Mounting (# See Note) 1 GM 5.7 All
 R121026I GM . Harness, Engine Wiring {Special Repower Engine} (# See Note) 1 GM 5.7 All
 RA08570 GM . Line, Fuel From Mechanical Fuel Pump To Holley Carb (# See Note) 1 GM 5.7 All
 R117001 GM . Coil, Ignition (# See Note) 1 GM 5.7 All
 RA107039R GM . Distributor, Complete Assembly (# See Note) 1 GM 5.7 All

* NOTE All items coded with an * are to be used with the Rochester QuadraJet carburetor installation

NOTE All items coded with an # are to be used with the Holley carburetor installation.

COMMON PARTS

.... RA104009 GM . Connector, Delco Electronic Distributor Blank With 3 Plugs
 1 Terminal And Wire For Stern Drive Interrupter Circuit 1 All GM All
 R104008 GM . Connector, Delco Electronic Distributor Blank With 4 Plugs 1 All GM All
 R079061 U . Adapter, Block To Engine Cooler Or Remote Oil Filter And Return 1 Ford All
 R079062 U . Adapter, Remote Oil Filter 1 All All
 R090194 U . Bracket, Cooler Mntng On Oil Pan Rail {Dual Function Oil Cooler} 1 All All
 R171007 U . Clamp, Cooler To Bracket {Dual Function Oil Cooler; 1 All All
 R171008 U . Clamp, Engine Oil Cooler To Bracket {Single Function} 1 All All
 RS5126 U . Screw, Thread Cutting To secure Cooler Clamps To Bracket Plate 2 All All

BLANK PAGE

TRANSMISSION ASSEMBLIES

REF NO.	PART NUMBER	CODE	DESCRIPTION	QTY	APP	ROT
---------	-------------	------	-------------	-----	-----	-----

All Transmissions Are Listed For Convenience And/Or Identification Purposes Even Though Some Transmissions Are No Longer Available. Contact Your Distributor Or The PCM Parts Department For Prices And Availability.

VELVET DRIVE INLINE TRANSMISSION ASSEMBLIES (ALL SMALL BLOCK ENGINES)

RA157001	Reverse Gear 1:1 Ratio	1	To 300 HP	All
RA157002	Reduction Gear 1.523:1 Ratio	1	To 300 HP	All
RA157002A	Reduction Gear 2.1:1 Ratio <i>RH Input Only</i>	1	To 300 HP	RH
RA157002B	Reduction Gear 1.909:1 Ratio <i>Opposite Engine Output</i>	1	To 300 HP	All
RA157002C	Reduction Gear 2.57:1 Ratio	1	To 300 HP	All
RA157002D	Reduction Gear 2.909:1 Ratio	1	To 300 HP	All
RA157002E	Reduction Gear 2.1:1 Ratio <i>LH Input Only</i>	1	To 300 HP	LH

VELVET DRIVE INLINE TRANSMISSION ASSEMBLIES (ALL BIG BLOCK ENGINES)

RA157003	Reverse Gear 1:1 Ratio	1	To 400 HP	All
RA157003A	Reverse Gear 1:1 Ratio	1	To 400 HP	All
RA157004	Reduction Gear 1.52:1 Ratio	1	To 400 HP	All
RA157004A	Reduction Gear 1.9:1 Ratio <i>Opposite Engine Output</i>	1	To 400 HP	All
RA157004B	Reduction Gear 2.10:1 Ratio <i>LH Input Only</i>	1	To 400 HP	LH
RA157004C	Reduction Gear 2.10:1 Ratio <i>RH Input Only</i>	1	To 400 HP	RH
RA157004D	Reduction Gear 2.57:1 Ratio	1	To 400 HP	All
RA157004E	Reduction Gear 2.91:1 Ratio	1	To 400 HP	All

VELVET DRIVE 73C INLINE TRANSMISSION ASSEMBLIES

RA157011	1:1 73C	1	Above 400 HP	All
RA157011A	1.5:1 73C	1	Above 400 HP	All
RA157011B	1.9:1 73C	1	Above 400 HP	All
RA157011C	2.5:1 73C	1	Above 400 HP	All
RA157011D	3:1 73C	1	Above 400 HP	All

VELVET DRIVE VEE DRIVE ASSEMBLIES COMPLETE (ALL SMALL BLOCK ENGINES)

RA156001	V-DRIVE .96:1 <i>Opposite Engine Output</i>	1	To 300 HP	All
RA156001A	V-DRIVE .97:1 <i>Engine Rotation Output</i>	1	To 300 HP	All
RA156001B	V-DRIVE 1.51:1 <i>Opposite Engine Output</i>	1	To 300 HP	All
RA156001C	V-DRIVE 1.53:1 <i>Engine Rotation Output</i>	1	To 300 HP	All
RA156001D	V-DRIVE 1.99:1 <i>Opposite Engine Output</i>	1	To 300 HP	All
RA156001E	V-DRIVE 1.98:1 <i>Engine Rotation Output</i>	1	To 300 HP	All
RA156001F	V-DRIVE 2.49:1 <i>Opposite Engine Output</i>	1	To 300 HP	All
RA156001G	V-DRIVE 2.50:1 <i>Engine Rotation Output</i>	1	To 300 HP	All
RA156001H	V-DRIVE 3.14:1 <i>Opposite Engine Output</i>	1	To 300 HP	All
RA156001J	V-DRIVE 3.10:1 <i>Engine Rotation Output</i>	1	To 300 HP	All
RA156001K	V-DRIVE 1.21:1 <i>Opposite Engine Output</i>	1	To 300 HP	All
RA156001M	V-DRIVE 1.21:1 <i>Engine Rotation Output</i>	1	To 300 HP	All

VELVET DRIVE VEE DRIVE ASSEMBLIES COMPLETE (ALL BIG BLOCK ENGINES)

RA156002	V-DRIVE .96:1 <i>Opposite Engine Output</i>	1	To 400 HP	All
RA156002A	V-DRIVE .97:1 <i>Engine Rotation Output</i>	1	To 400 HP	All
RA156002B	V-DRIVE 1.51:1 <i>Opposite Engine Output</i>	1	To 400 HP	All
RA156002C	V-DRIVE 1.53:1 <i>Engine Rotation Output</i>	1	To 400 HP	All
RA156002D	V-DRIVE 1.99:1 <i>Opposite Engine Output</i>	1	To 400 HP	All
RA156002E	V-DRIVE 1.98:1 <i>Engine Rotation Output</i>	1	To 400 HP	All
RA156002F	V-DRIVE 2.49:1 <i>Opposite Engine Output</i>	1	To 400 HP	All
RA156002G	V-DRIVE 2.50:1 <i>Engine Rotation Output</i>	1	To 400 HP	All
RA156002H	V-DRIVE 3.14:1 <i>Opposite Engine Output</i>	1	To 400 HP	All
RA156002J	V-DRIVE 3.10:1 <i>Engine Rotation Output</i>	1	To 400 HP	All
RA156002K	V-DRIVE 1.21:1 <i>Opposite Engine Output</i>	1	To 400 HP	All
RA156002M	V-DRIVE 1.21:1 <i>Engine Rotation Output</i>	1	To 400 HP	All

TRANSMISSION ASSEMBLIES

REF NO.	PART NUMBER	CODE	DESCRIPTION	QTY	APP	ROT
---------	-------------	------	-------------	-----	-----	-----

All Transmissions Are Listed For Convenience And/Or Identification Purposes Even Though Some Transmissions Are No Longer available. Contact Your Distributor Or The PCM Parts Department For Prices And Availability.

VELVET DRIVE VEE DRIVE FORWARD SECTION ASSEMBLIES COMPLETE

RA157009	Reversing Section Only V-Drive	1	To 300 HP	All
RA157010	Reversing Section Only V-Drive	1	To 400 HP	All

VELVET DRIVE VEE DRIVE REAR SECTION ASSEMBLIES COMPLETE ALL APPLICATIONS

RA156003	Rear Section Gear "V" Drive .96:1	1	All	All
RA156003A	Rear Section Chain "V" Drive .97:1	1	All	All
RA156003B	Rear Section Gear "V" Drive 1.51:1	1	All	All
RA156003C	Rear Section Chain "V" Drive 1.53:1	1	All	All
RA156003D	Rear Section Gear "V" Drive 1.99:1	1	All	All
RA156003E	Rear Section Chain "V" Drive 1.98:1	1	All	All
RA156003F	Rear Section Gear "V" Drive 2.49:1	1	All	All
RA156003G	Rear Section Chain "V" Drive 2.50:1	1	All	All
RA156003H	Rear Section Gear "V" Drive 3.14:1	1	All	All
RA156003J	Rear Section Chain "V" Drive 3.10:1	1	All	All
RA156003K	Rear Section Gear "V" Drive 1.21:1	1	All	All
RA156003M	Rear Section Chain "V" Drive 1.21:1	1	All	All

VELVET DRIVE 5000 SERIES FULL REVERSING 8° DOWN ANGLE TRANSMISSIONS

RA157020	1:1 Left Hand Engines Only 5" Coupling	1	All	All
RA157020A	1.25:1 Left Hand Engines Only 5" Coupling	1	All	All
RA157020B	1.50:1 Left Hand Engines Only 5" Coupling	1	All	All
RA157020C	2.00:1 Left Hand Engines Only 5" Coupling	1	All	All
RA157020D	2.45:1 Left Hand Engines Only 5" Coupling	1	All	All
RA157020E	2.80:1 Left Hand Engines Only 5" Coupling	1	All	All

VELVET DRIVE 1500 SERIES INBOARD TRANSMISSIONS

RA157014	1500 1:1 VELVET DRIVE Gear-Inboard	1	To 300 HP	All
----------	------------------------------------	---	-----------	-----

WALTER VEE DRIVE ASSEMBLIES COMPLETE

RA156004	"V" Drive Assembly (Direct Mount)
RA156005	"V" Drive Assembly (Direct Mount)
RA156006	"V" Drive Assembly (Direct Mount)
RA156007	"V" Drive Assembly (Direct Mount)

STERN DRIVE TRANSMISSIONS (ALL MANUFACTURERS)

RA157006	VELVET DRIVE Reverse Gear For Small Block Stern Drive	1	To 300 HP	All
RA157005	VELVET DRIVE Reverse Gear For Big Block Stern Drive	1	To 300 HP	All
RA157015	PCM Model IRM-40 1:1 Small Block Stern Drive	1	To 300 HP	All
RA157013	1500 Series 1:1 VELVET DRIVE Small Block Stern Drive	1	To 300 HP	All

PCM INBOARD TRANSMISSIONS

RA157016	PCM 1:1 Inboard	1	To 300 HP	All
RA157017	PCM 1.23:1 Inboard 9° down Angle	1	To 300 HP	All
RA157017A	PCM 1.50:1 Inboard 9° down Angle	1	To 300 HP	All

TWIN DISK MG502 AND MG 5010A FULL REVERSING TRANSMISSIONS

RA157018	MG502 1.54:1 Ratio	1	All	All
RA157018A	MG502 2.00:1 Ratio	1	All	All
RA157018B	MG502 2.47:1 Ratio	1	All	All
RA157019	MG5010A 1.44:1 Ratio	1	All	All
RA157019A	MG5010A 1.90:1 Ratio	1	All	All
RA157019B	MG5010A 2.39:1 Ratio	1	All	All

TRANSMISSION ASSEMBLIES

REF NO.	PART NUMBER	CODE	DESCRIPTION	QTY	APP	ROT
---------	-------------	------	-------------	-----	-----	-----

All Transmissions Are Listed For Convenience And/Or Identification Purposes Even Though Some Transmissions Are No Longer Available. Contact Your Distributor Or The PCM Parts Department For Prices And Availability.

HURTH MECHANICAL SHIFT TRANSMISSION ASSEMBLIES

.... RA157012	1.5:1	HURTH Gear Model HBW 360-1.5	1	To 272 HP	All
.... RA157012A	2:1	HURTH Gear Model HBW 360-2	1	To 272 HP	All

HURTH HYDRAULIC MODEL 450A FULL REVERSING TRANSMISSION ASSEMBLIES

.... RA157021	1.25:1		1	To 272 HP	All
.... RA157021A	1.5:1		1	To 272 HP	All
.... RA157021B	2.0:1		1	To 272 HP	All
.... RA157021C	3.0:1		1	To 272 HP	All

HURTH MODEL 630V1 V-DRIVE TRANSMISSION ASSEMBLIES

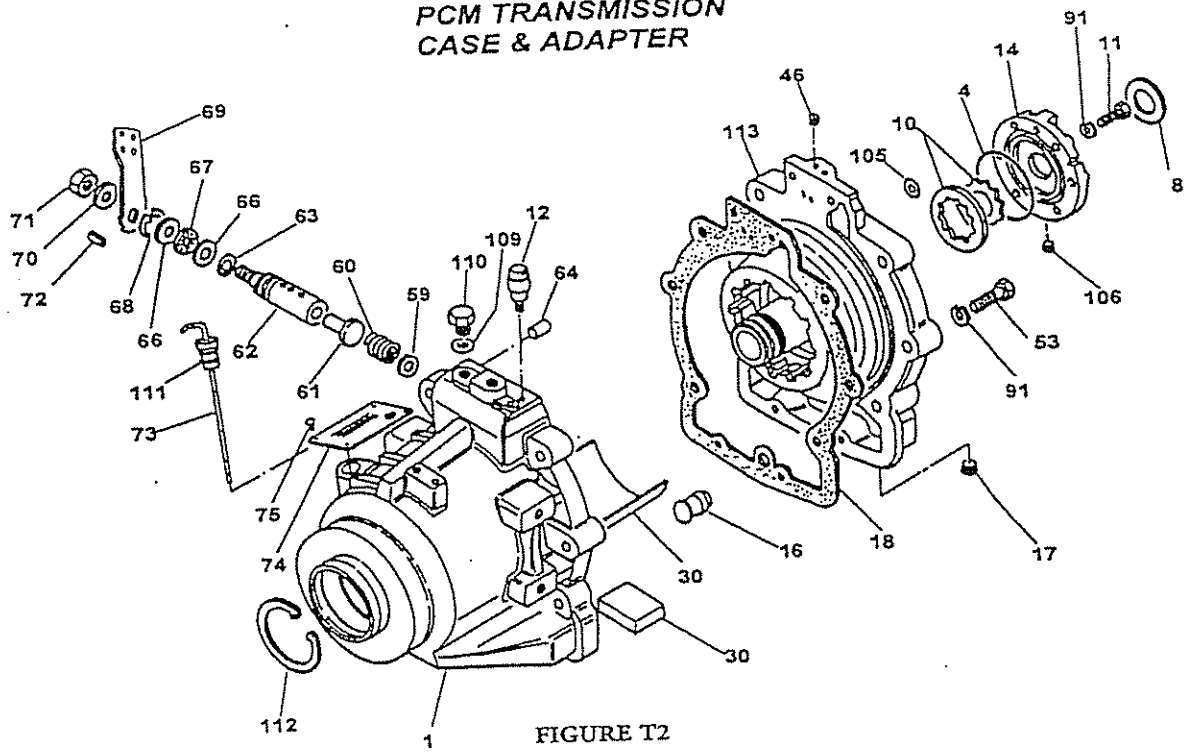
.... RA156009	1.29:1		1	All	All
.... RA156009A	1.56:1		1	All	All
.... RA156009B	2.0:1		1	All	All
.... RA156009C	2.48		1	All	All

BLANK PAGE

PCM TRANSMISSION (CASE & ADAPTER)

REF NO.	PART NUMBER	DESCRIPTION	QTY	APP	ROT
1	R 157016	Case Housing In Line	1	1:1 I/B, S/D	All
1	R 157017	Case Housing Reduction	1	1:2,1.5	All
4	R047187	O-Ring Pump Cover Large	1	All	All
8	R047185	Seal, Front Pump	1	All	All
10	R113048	Oil Pump Gear Set	1	All	All
11	RS6531	Bolt	6	All	All
12	R034034	Breather Vent	1	A)	All
14	R070013	Co r, Front Pump	1	All	All
16	R074027	Oil Pickup Tube & Screen	1	1.2,1.5	All
16	R074028	Oil Pickup lube & Screen	1	1:1 I/B, S/D	All
17	RS3561	Plug	1	All	All
18	RM0208	Gasket	1	All	All
23	R012021	Magnet, Round	1	All	All
30	R012022	Baffle, Oil	1	1.2,1.5	All
30	R012020	Baffle, Oil	1	1:1 I/B, S/D	All
46	RS3539	Plug, 118 NPT	4	All	All
53	RS6532	Bolt	6	All	All
56	R048104	Retaining Ring (Pin Holes)	1	All	All
59	R169057	Shim	AR	All	All
60	R046042	Spring, Pressure Relief Valve	1	All	All
61	R035025	Valve, Pressure Relief	1	All	All
62	R035024	Valve, Control	1	All	All
63	R047184	O-Ring	1	All	All
64	R076006	Spring Plunger Assy.	1	All	All
NI	R046043	Spring Detent Plunger	1	All	All
NI	R076005	Plunger Detent	1	All	All
66	R096125	Thrust Washer	2	All	All
67	R067076	Thrust Bearing	1	All	All
68	R048101	Retaining Ring	1	All	All
69	R166019	Lever	1	All	All
69	R166018	Lever	1	All	All
70	RS7070	Lock Washer	1	All	All
71	RS7027	Nut	1	All	All
72	R082058	Roll Pin	1	All	All
73	R041060	Dipstick	1	1:1 I/B, S/D	All
73	R041059	Dipstick	1	1.2,1.5	All
74	R143046	Nameplate	1	All	All
75	R175054	Drive Screw	4	All	All
91	RS7049	Washer, Flat	28	All	All
105	R047186	O-Ring	2	All	All
106	RS3560	Plug	1	All	All
109	R047200	O-Ring	1	All	All
110	RS3559	Plug	1	All	All
NI	R153011	Neutral Safety Switch	1	All	All
111	R047190	O-Ring, Dipstick	2	All	All
112	R048112	Retainer	1	1:1 I/B, S/D	All
113	R079047	Adapter, Front Cover	1	All	All
NI	RK173058	Gasket & Seal Kit	1	1.2,1.5	All
NI	RK173059	Gasket & Seal Kit	1	1:1 I/B	All
NI	RK173060	Gasket & Seal Kit	1	S/D	All
NI	RK160014	Clutch Pack Kit	1	All	All

PCM TRANSMISSION
CASE & ADAPTER



PCM TRANSMISSION (SHAFTS & CLUTCHES)

REF NO.	PART NUMBER	DESCRIPTION	QTY	APP	ROT
2	R161017	Piston, Clutch	2	All	All
3	R046044	Spring, Piston Return	2	All	All
5	R047189	O-Ring, Clutch Piston Inner	2	All	All
6	R165006	Steel Ball, Pump Drive	1	All	All
7	R058060	Input Shaft	1	All	All
9	R067079	Bearing, Input Shaft Support Front	1	All	All
15	R047188	O-Ring, Clutch Piston Outer	2	All	All
20	R162004	Hub, Clutch	2	All	All
21	R048106	Retaining Ring, Hub To Planetary Housing	1	All	All
22	R167008	Planetary Housing	1	All	All
24	R048103	Retaining Ring, Piston Spring	1	All	All
25	R051035	Bushing, Bronze Retainer	1	All	All
26	R096128	Washer, Tab	2	All	All
27	R067080	Bearing, Input Shaft Support Rear	1	All	All
28	R113050	Reverse Sun Gear	1	All	All
29	R160016	Pressure Plate	2	All	All
31	R048102	Retaining Ring, Clutch Hub	1	All	All
32	R048110	Ring, Oil Seal Drum To Case	2	All	All
33	R139011	Gear, Ring	1	All	All
33A	R163004	Clutch Cylinder & Drum Bare	1	All	All
NI	RA163004	Clutch Cylinder Assembly (Includes No. 33, 33A, and 40)	1	All	All
40	R067081	Bearing, Drum To Shaft Support	1	All	All
41	R096127	Thrust Washer, Intermediate Large	1	All	All
42	R067078	Thrust Bearing, Intermediate Large	1	All	All
43	R048108	Retaining Ring, Piston Spring	1	All	All
44	R048107	Retainer Spring	1	All	All
45	R160015	Clutch Separator Plate, Outer	7	All	All
47	R160014	Clutch Plate, Inner Spline	7	All	All
48	R048105	Retaining Ring, Clutch Pack	2	All	All
49	R082057	Pin, Planet Gear	3	All	All
50	R096129	Washer, Planet Gear	6	All	All
51	R067082	Bearing, Planet Gear	3	All	All
52	R113051	Gear Planet	3	All	All
54	R096126	Thrust Washer, Front Small Diameter	1	All	All
55	R067077	Thrust Bearing, Front Small Diameter	1	All	All
NI	RK173058	Gasket & Seal Kit	1	1.2 & 1.5	All
NI	RK173059	Gasket & Seal Kit	1	1: 1 I/B	All
NI	RK173060	Gasket & Seal Kit	1	S/D	All
NI	RK160014	Clutch Pack Kit	1	All	All

**PCM TRANSMISSION
SHAFTS & CLUTCHES**

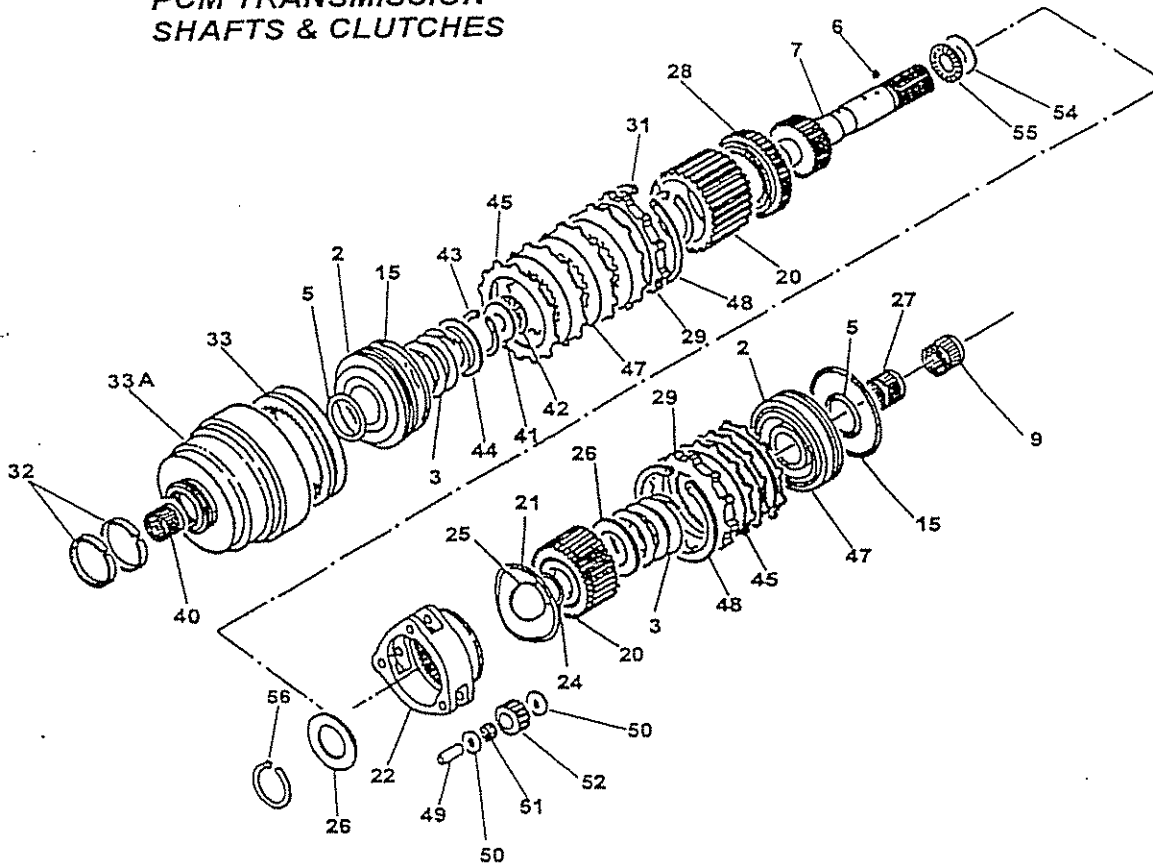


FIGURE T3

PCM TRANSMISSION (1:1 REAR SECTION)

REF NO.	PART NUMBER	DESCRIPTION	QTY	APP	ROT
112	R048112	Retainer	1	1:1 IB & S/D	All
115	R067087	Bearing	1	1:1 I/B & S/D	All
116	R048113	Retainer	1	S/D	All
117	R069063	Plug	1	S/D	All
118	R058065	Shaft Output	1	S/D	All
119	R047193	Seal, Output Shaft	1	S/D	All
120	R058066	Shaft Output	1	1:1 IB	All
121	R047194	Seal, Coupling	1	1:1 IB	All
122	R096136	Washer, Coupling	1	1:1 IB	All
123	R017072	Nut, Coupling	1	1:1 IB	All
124	R148021	Coupling	1	1:1 IB	All
NI	RK173058	Gasket & Seal Kit	1	1.2 & 1.5	All
NI	RK173059	Gasket & Seal Kit	1	1:1 IB	All
NI	RK173060	Gasket & Seal Kit	1	S/D	All
NI	RK160014	Clutch Pack Kit	1	All	All

**PCM TRANSMISSION
1:1 REAR SECTION**

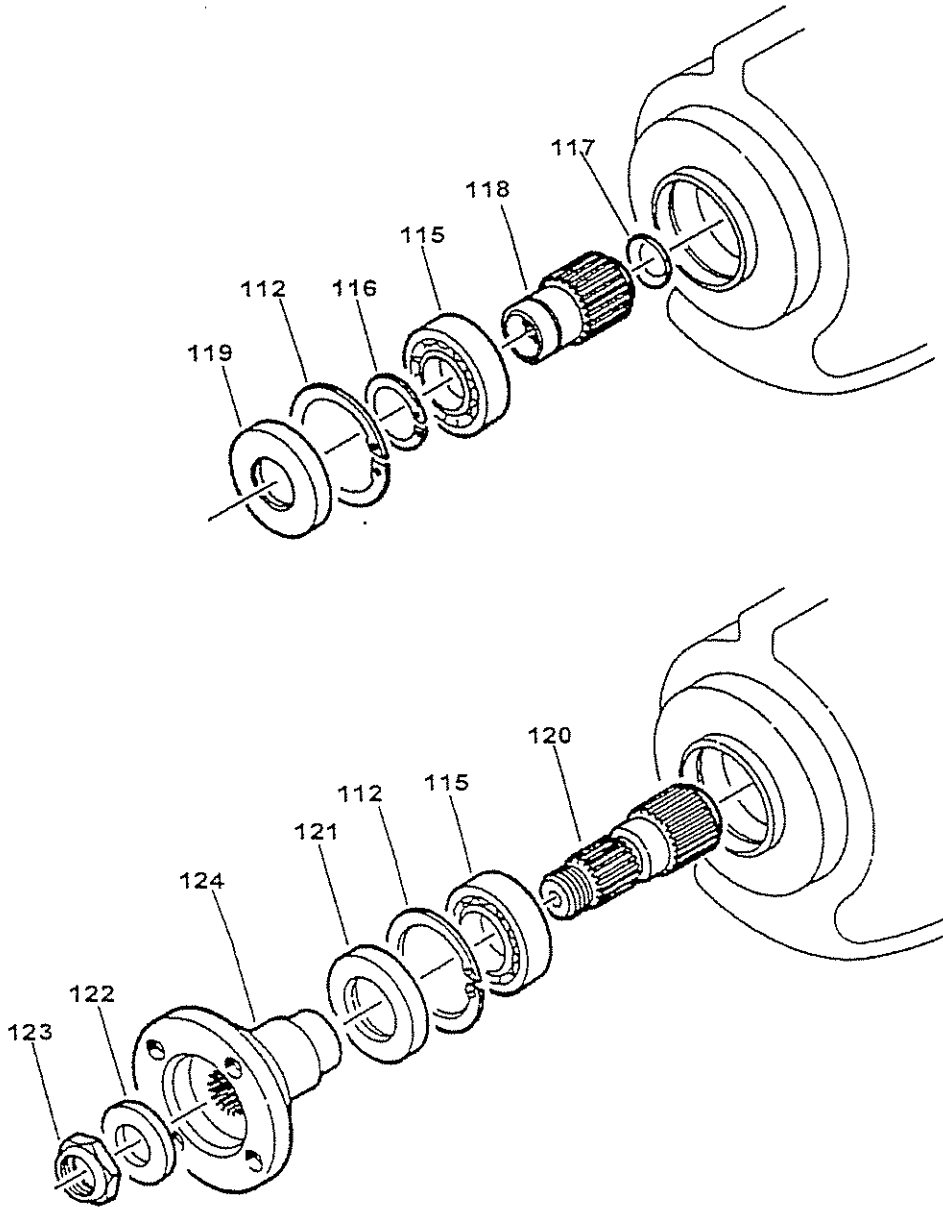


FIGURE T-4

PCM TRANSMISSION (REDUCTION SECTION)

REF NO.	PART NUMBER	DESCRIPTION	QTY	APP	ROT
1A	N.S.S.	Part of R157017 (see REF # 1 Pg. T2-1)	NA	1.2 & 1.5	All
34	R169059A	Shim, .15mm	AR	All	All
35	R169059B	Shim, .20mm	AR	All	All
36	R169059C	Shim, .25mm	AR	All	All
37	R169059D	Shim, .30mm	AR	All	All
38	R169059E	Shim, .50mm	AR	All	All
76	R169058A	Shim, .15mm	AR	All	All
77	R169058B	Shim, .20mm	AR	All	All
78	R169058C	Shim, .25mm	AR	All	All
79	R169058D	Shim, .50mm	AR	All	All
80	RS6531	Bolt	10	All	All
81	R062066	Spacer	1	All	All
82	R067083	Bearing Intmed Shaft Front	1	All	All
83	R169059A	Shim, .15mm	AR	All	All
84	R169059B	Shim, .20mm	AR	All	All
85	R169059C	Shim, .25mm	AR	All	All
86	R169059D	Shim, .30mm	AR	All	All
87	R169059E	Shim, .50mm	AR	All	All
88	R067084	Bearing, Intmed Shaft Rear	1	All	All
89	R058061	Intermediate Shaft & Gear	1	1.2	All
89	R058067	Intermediate Shaft & Gear	1	1.5	All
90	RS6530	Bolt	6	All	All
91	RS7049	Washer	28	All	All
92	R169060A	Shim, .15mm	AR	All	All
93	R169060B	Shim, .20mm	AR	All	All
94	R169060C	Shim, .30mm	AR	All	All
95	R169060D	Shim, .50mm	AR	All	All
97	R067086	Bearing, Output Shaft Rear	1	All	All
98	R017078	Nut, Coupling	1	1.2 & 1.5	All
99	R148020	Coupling, Output Shaft	1	1.2 & 1.5	All
100	R096132	Washer, Coupling	1	1.2 & 1.5	All
101	R058062	Output Shaft & Gear	1	1.2	All
101	R058068	Output Shaft & Gear	1	1.5	All
102	R047191	Seal	1	1.2 & 1.5	All
103	R067085	Bearing, Output Shaft Forward	1	All	All
104	R048109	Retainer Seal	1	All	All
107	R047192	O-Ring, Retainer To Case	1	All	All
NI	R082059	Pin, Case Dowel	2	1.2 & 1.5	All
NI	RK173058	Gasket & Seal Kit	1	1.2 & 1.5	All
NI	RK173059	Gasket & Seal Kit	1	1:1 I/B	All
NI	RK173060	Gasket & Seal Kit	1	S/D	All
NI	RK160014	Clutch Pack Kit	1	AR	All

THE ILLUSTRATION FOR REFERENCE NUMBERS ON THIS PAGE WILL BE FOUND ON FIGURE T5

**PCM TRANSMISSION
REDUCTION SECTION**

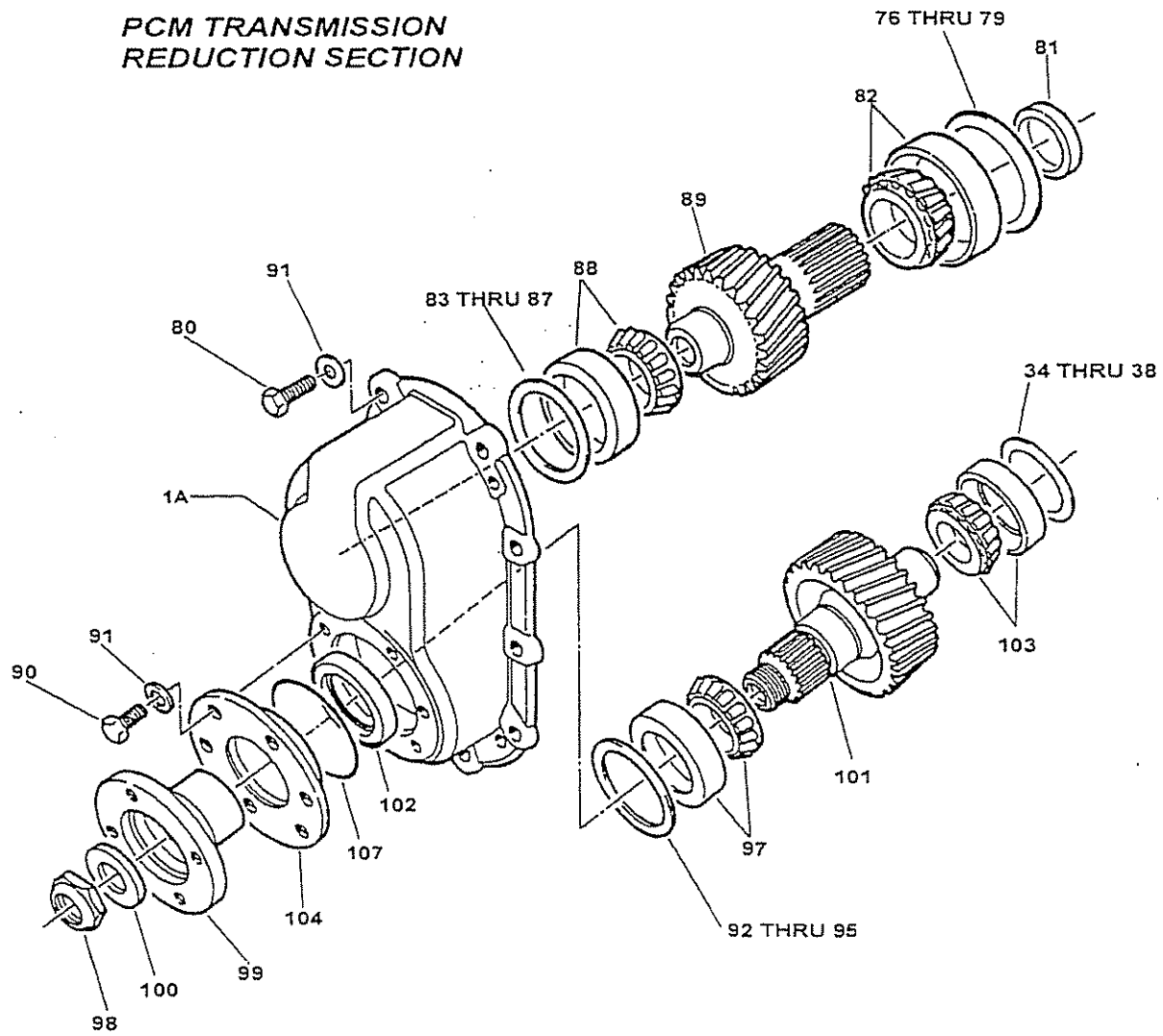


FIGURE T5

Warner Gear 71C/72C And 10-17/10/18 Series Transmissions

This section covers 1:1, 1.5:1, 1.9:1 2.57:1 and 2.91:1 reduction gears and all reductions of the gear and chain-style Vee Drives. The 10-17 and 10-18 series Gears are direct replacements for the old 71C and 72C series Gears. The 10-17 and 10-18 Gears were changed by Warner Gear to include some new parts and systems. Some of the parts are interchangeable with the older parts and some are not.

VELVET DRIVE CLUTCH PLATES

During the late 1970s, the clutch plate friction material was changed on all Velvet Drive transmission assemblies. The original reverse fiber clutch plate is no longer available from Warner Gear and it will be necessary to replace them with sintered copper plates. The outer clutch plates are steel. Friction plates should not be mixed; it is permissible to use one clutch pack of old material and the other clutch pack (forward or reverse) of new material.

Serial numbers for the transmissions used by PCM with the change in clutch friction material are as follows:

10-04-000-002 (3231)	10-17-000-003 (101)	10-05-000-002 (1108)	10-18-000-003 (533)
10-04-000-003 (1028)	10-17-000-004 (170)	10-05-000-003 (154)	10-18-000-004 (1440)
10-04-000-004 (256)	10-17-000-005 (1339)	10-05-000-004 (238)	10-18-000-005 (392)
10-04-000-005 (466)	10-17-000-006 (3175)	10-05-000-005 (336)	10-18-000-006 (2289)
10-04-000-006(130)	10-17-000-007 (677)	10-05-000-006 (131)	10-18-000-007 (701)
10-04-000-007 (490)	10-17-000-008 (2747)	10-05-000-007 (314)	10-18-000-008 (2277)
10-04-000-008 (467)	10-17-000-009 (351)	10-05-000-008 (290)	10-18-000-009 (685)
10-04-000-009 (1083)	10-17-000-010 (4284)	10-05-000-009 (703)	10-18-000-010 (678)
10-04-000-010 (611)	10-17-000-011 (409)	10-05-000-010 (152)	10-18-000-011 (385)
10-04-000-011 (2133)	10-17-000-012 (1656)	10-05-000-011 (643)	10-18-000-012 (1189)
10-04-000-012 (607)	10-17-000-013 (893)	10-05-000-012 (221)	10-18-000-013 (101)
10-04-000-013	10-17-000-014 (2428)	10-05-000-013 (155)	10-18-000-014 (2762)
10-17-000-001 (8770)	10-17-000-015 (113)	10-18-000-001(1101)	10-18-000-015 (101)
10-17-000-002	10-17-000-016 (143)	10-18-000-002 (1926)	10-18-000-016 (101)

Each transmission reverse requires two R160008 sintered copper clutch plates (.0605 - .063 inch thick), one R160009 steel clutch plate (.0665 - .071 inch thick) and three R022007 dowel pins.

SEALING RINGS

All Velvet Drive In-Line and V-Drive use four cast iron sealing rings with pinion cage and shaft assemblies incorporating four ring grooves at the forward and reverse portion of these assemblies. These later pinion cage and output shaft assemblies are a larger diameter than the earlier assemblies; this requires using a larger inside diameter thrust washer.

The older models incorporated two bushings which were pressed into the 1.989-1.990 inch (50.5 - 50.55 mm) bore at the rear of the forward and reverse transmission case. These are no longer required and the case bore size has been changed to 2.000 - 2.001 inch (50.8 - 50.83 mm) diameter to accommodate the new sealing rings. Earlier units may be updated using the three new parts as required.

The newer sealing rings are incorporated in Warner serial numbers for In-Line units beginning with 10-17 and 10-18 and are listed below. Refer to PCM Service Manual for service procedures and information.

10-17-0001(10440)	10-17-000-008 (3697)	10-18-000-001 (2169)	10-18-000-009 (793)
10-17-000-002 (5811)	10-17-000-009(351)	10-18-000-002 (2152)	10-18-000-010 (829)
10-17-000-003 (101)	10-17-000-011(470)	10-18-000-003 (781)	10-18-000-011 (421)
10-17-000-004 (241)	10-17-000-012 (1904)	10-18-000-004 (2023)	10-18-000-012 (1282)
10-17-000-005 (1624)	10-17-000-013 (979)	10-18-000-005 (563)	10-18-000-013 (101)
10-17-000-006 (3767)	10-17-000-014 (2708)	10-18-000-006 (2880)	10-18-000-014 (2784)
10-17-000-007 (838)	10-17-000-015(113)	10-18-000-007 (775)	
10-17-000-010(4913)	10-17-000-016(143)	10-18-000-008(2557)	

In the V-drive assemblies, the serial numbers for the addition of sealing rings are as follows:

10-04-000-002(3172)	10-04-000-011 (2111)	10-05-000-007 (314)
10-04-000-003 (1012)	10-04-000-012 (605)	10-05-000-008 (281)
10-04-000-004 (256)	10-05-000-002 (1108)	10-05-000-009 (703)
10-04-000-005 (463)	10-05-000-003 (601)	10-05-000-010 (152 - 156, 601 & later)
10-04-000-006 (137)	10-05-000-004 (103 - 122, 283 & later)	10-05-000-011 (153 - 156, 643 & later)
10-04-000-007 (480)	10-05-000-005 (340 - 347, 354 & later)	10-05-000-012 (222)
10-04-000-008 (462)		10-05-000-013 (155)
10-04-000-009 (1069)		
10-04-000-010 (611)	10-05-000-006 (130)	

REGULATOR VALVE SPRING

The regulator valve spring was also changed to provide additional cooler flow. The new regulator spring (part number R046002) is white for identification. The old and spring assembly should be used when case bushings are used, and the new parts should be used when sealing rings are used in either the 10-17, 10-18 or V-drive assemblies.

WARNER GEAR DIRECT DRIVE 1:1

REF. NO.	PART NUMBER	DESCRIPTION	QTY.	REF. NO.	PART NUMBER	DESCRIPTION	QTY.
1	R017002	Nut, Main Shaft	1	58	R047124	Ring, Sealing 10-17 And 10-18 Series	4
2	R148014	Coupling 71C And 10-17	1	59	RA058002	Pinion Cage And Output Shaft Assembly 71C	1
2	R148017	Coupling 72C And 10-18	1	59	RA058029	Pinion Cage And Output Shaft Assembly 72C	1
3	R047009	Seal, Oil	1	59	RA058002A	Pinion Cage And Output Shaft Assembly With Grooves 10-17	1
4	R048010	Retainer, Bearing 71C And 10-17	1	59	R058028A	Pinion Cage And Output Shaft Assembly With Grooves 10-18	1
4	R048052	Retainer, Bearing 72C And 10-18	1	60 And 61	RK051001	Kit, Main Drive Gear Bushing (2 In Kit)	1
5	R067005	Bearing, Annular 71C And 10-17	1	62	R096005	Washer, Thrust	1
5	R067029	Bearing, Annular 72C And 10-18	1	63	R164002	Key, Woodruff 71C And 10-17	1
6	RM0010	Gasket, Bearing Retainer 71C And 10-17	1	63	R164010	Key, Woodruff 72C And 10-18	1
6	RM0086	Gasket, Bearing Retainer 72C And 10-18	1	64	R113003	Gear, Drive And Plug Assembly 71C And 10-17	1
7	RS0089	Bolt, 7/16" 14 x 1 1/8" Hex Head	6	64	R113026	Gear, Drive And Plug Assembly 72C And 10-18	1
8	RS2160	Washer, 7/16" Lock	6	NI	RK173022	Kit, Input Shaft Seal Surface Repair	1
31	RS0002	Bolt, 1/4" Hex Head	3	65	R164001	Key, Woodruff	1
32	RS2157	Washer, 1/4" Lock	3	66	R162001	Hub, Forward Clutch 71C And 10-17	1
33	R060001	Cover, Valve	1	66	R162002	Hub, Forward Clutch 72C And 10-18	1
34	RM0011	Gasket, Valve Cover	1	67	R048009	Snap Ring	1
NI	RA035002	Valve And Spring Assembly (Items 35 Thru 39)	1	68	R047008	Ring, Sealing	1
35	R048011	Snap Ring	1	69	R139001	Rear, Ring 71C And 10-17	1
36	R048031	Retainer, Valve Spring	1	69	R139005	Gear, Ring 72C And 10-18	1
37	R046002	Spring, Valve	1	70	R048040	Snap Ring, .054" Thru .059" 72C And 10-18	1
38	R035001	Valve, Pressure Regulator	1	70	R048041	Snap Ring, .074" Thru .078" 72C And 10-18	1
39	R035002	Valve, Transmission Shift	1	70	R048075	Snap Ring, .084" Thru .088" 72C And 10-18	1
40	R047010	"O" Ring	1	70	R048042	Snap Ring, .096" Thru .100" 72C And 10-18	1
41	RS3541	Plug, 3/8" x 18 NPT Pipe	1	71	R160004	Plate, Clutch Pressure	1
42	R034002	Breather, Assembly	1	73	R046001	Spring, Pressure Plate	12
43	RS3541	Plug, 3/8" x 18 NPT Pipe	2	74	R012002	Baffle, 71C And 10-17	1
44	RS3539	Plug, 1/8" x 27 NPT Pipe	1	74	R012003	Baffle, 72C And 10-18	1
45	R041028	Tube, Transmission Dipstick	1	75	R160005	Plate, Clutch Inner 71C And 10-17	5
45a	R041026	Dipstick, Expandable	1	75	R160005	Plate, Clutch Inner 72C And 10-18	7
45a	R041009	Dipstick, Assembly Threaded	1	NI	RK160005	Kit, Clutch Pack 71C And 10-17	1
46	R046003	Spring, Detent Ball	1	NI	RK160010	Kit, Clutch Pack 72C And 10-18	1
47	R165001	Ball, Detent 5/16" Steel	1	76	R160006	Plate, Clutch (Steel) 71C And 10-17	4
48	R166001	Lever, Shift	1	76	R160006	Plate, Clutch (Steel) 72C And 10-18	6
49	RS1508	Nut, 5/16" x 24 Hex	1	77	R160007	Plate, Clutch Pressure	1
50	RS2158	Washer, 5/16" Lock	1	78	R048008	Snap Ring, Clutch Spring Bearing	1
51	RS2653	Washer, Control Lever	1	79	R160003	Spring, Clutch Piston Return	1
52	RS3541	Plug, 3/8" x 18 NPT Pipe	1	80	R048006	Ring, Clutch Spring Bearing	1
53	R024014	Bushing	1	81	R047006	Ring, Clutch Piston Outer Sealing	1
54	R085004	Tube, Oil Return	1	82	R161002	Piston, Forward Clutch	1
55	R074002	Strainer, Oil Assembly 71C And 10-17	1	83	R047007	Ring, Clutch Piston Inner Sealing	1
55	R074017	Strainer, Oil Assembly 72C And 10-18	1	84	R163001	Cylinder, Forward Clutch 71C And 10-17	1
56	RB157001	Transmission Case And Bushing Assembly 71C	1	84	R163002	Cylinder, Forward Clutch 72C And 10-18	1
56	RB157003	Transmission Case And Bushing Assembly 72C	1				
56	RB157001A	Transmission Case For Sealing Rings 10-17	1				
56	RB157003A	Transmission Case For Sealing Rings 10-18	1				
57	R022001	Pin, Dowel 71C And 10-17	3				
57	R022002	Pin, Dowel 72C And 10-18	3				
58	RK051003	Bushing, Case (2 in Kit) 71 And 72C	1				

WARNER GEAR VELVET DRIVE
DIRECT DRIVE 1:1

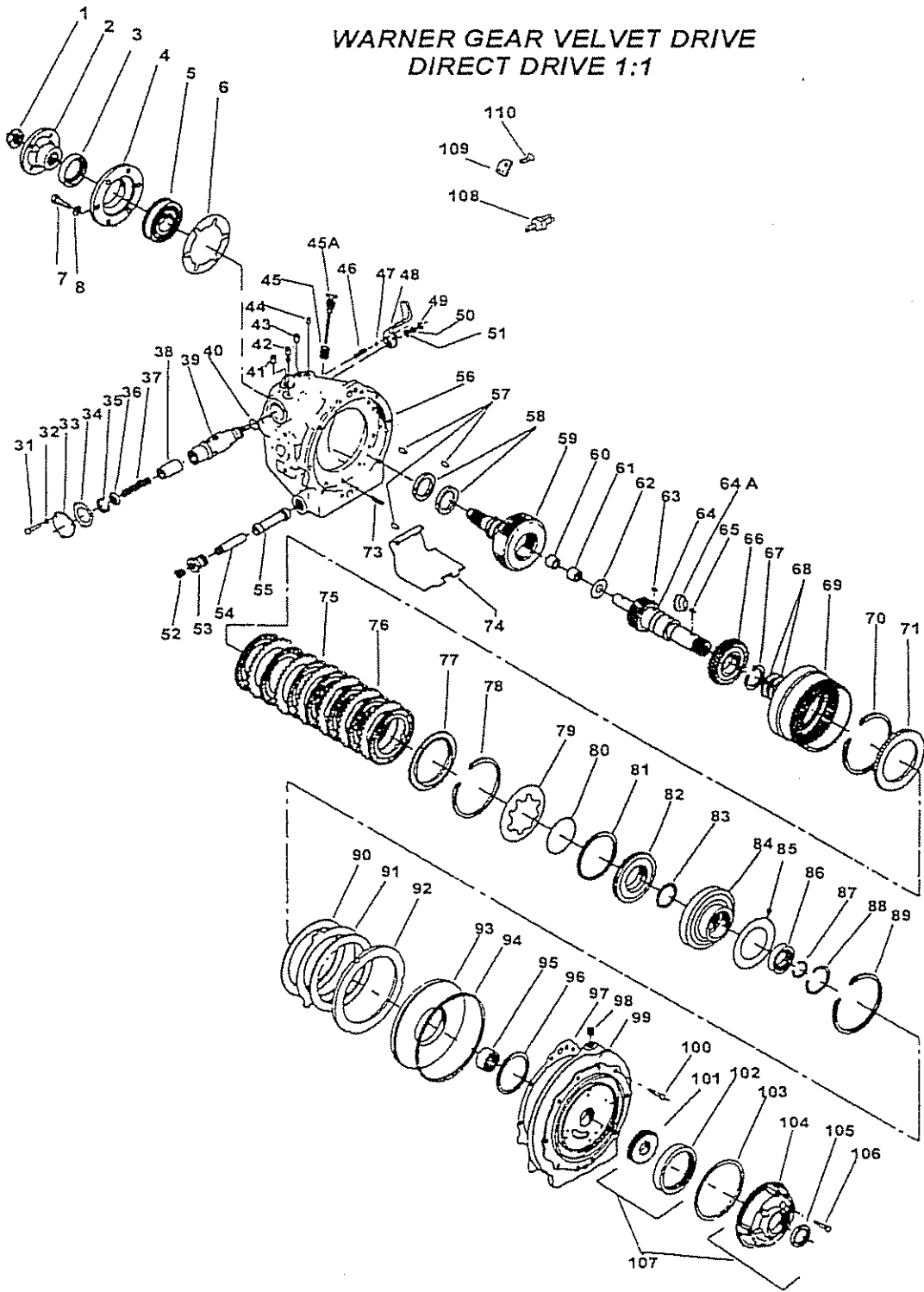


FIGURE T7

WARNER GEAR 1:1 DIRECT DRIVE

REF. NO.	PART NUMBER	DESCRIPTION	QTY.	REF. NO.	PART NUMBER	DESCRIPTION	QTY.
85	R096004	Washer, Thrust	1	5" Driven Half Shaft Couplings			
86	R067004	Bearing 71C And 10-17	1	NI	R148001	1" Coupling	
86	R067030	Bearing 72C And 10-18	1	NI	R148002	1 1/8" Coupling	
87	R048015	Snap Ring 71C And 10-17	1	NI	R148003	1 1/4" Coupling	
87	R048053	Snap Ring 72C And 10-18	1	NI	R148004	1 3/8" Coupling	
88	R048004	Snap Ring 71C And 10-17	1	NI	R148005	1 1/2" Coupling	
88	R048054	Snap Ring 72C And 10-18	1	NI	R148006	1 5/8" Coupling	
89	R048053	Snap Ring, Ring Gear	1	NI	R148007	1 3/4" Coupling	
90	R160008	Plate, Inner Reverse Clutch		NI	R148008	2" Coupling	
		71C And 10-17	1	NI	R148009	2 1/4" Coupling	
90	R160008	Plate, Inner Reverse Clutch		NI	RS3337	Bolt, Lock (Drilled)	
		72C And 10-18	2			For 4" Coupling	2
91	R160009	Plate, Outer Reverse Clutch		Transmission Assemblies			
		72C And 10-18	1	NI	RA157001	Transmission Assembly 10-17 1:1	
91	R160009	Plate, Reverse Clutch Pressure	1	NI	RA157003	Transmission Assembly 10-18 1:1	
93	R161001	Piston, Reverse Clutch	1	FOR ADDITIONAL INFORMATION SEE BULLETINS !			
94	R047004	Ring, Piston Outer Sealing	1				
95	R067003	Bearing, Needle	1				
96	R047005	Ring, Piston Inner Sealing	1				
97	RM0009	Gasket, Case To Adapter	1				
98	RS3540	Plug, 1/4" NPT Pipe	1				
99	R079003	Adapter, Transmission To Engine	1				
100	R009003	Cap Screw, Special 3/8" 16 X 1 1/4"	4				
101	Not Serviced	Gear, Pump Drive					
		(Order Assembly, See # 107)					
102	Not Serviced	Gear, Pump Driven					
		(Order Assembly, See # 107)					
103	RM0008	Gasket, Pump	1				
104	Not Serviced	Housing, Pump					
		(Order Assembly, See # 107)	1				
105	R047003	Seal, Oil Assembly	1				
106	R009099	Bolt, Front Pump	3				
107	RA070001	Pump, Assembly					
		(Includes 101, 102, 104, and 105)	1				
107	RA070014	Pump, Ski Boat					
NI	R153002	Switch, Neutral Safety	1				
NI	R031005	Stud, Engine Mounting	4				
NI	R80337	Bolt, Engine Mounting	2				
NI	RS1029	Nut	2				
NI	RS2181	Washer, Lock	6				
NI	RK173018	Kit, Gasket And Seal	1				
NI	RK173019	Kit, Snap Ring	1				
NI	R024024	End, Shift Cable	1				
NI	R082009	Cotter Pin, Cable End	1				

4" Driven Half Shaft Couplings

NI	R148010	1" Coupling	1
NI	R148011	1 1/8" Coupling	1
NI	R148012	1 1/4" Coupling	1
NI	R148013	1 3/8" Coupling	1
NI	R148018	1 1/2" Coupling	1

WARNER GEAR VELVET DRIVE
DIRECT DRIVE 1:1

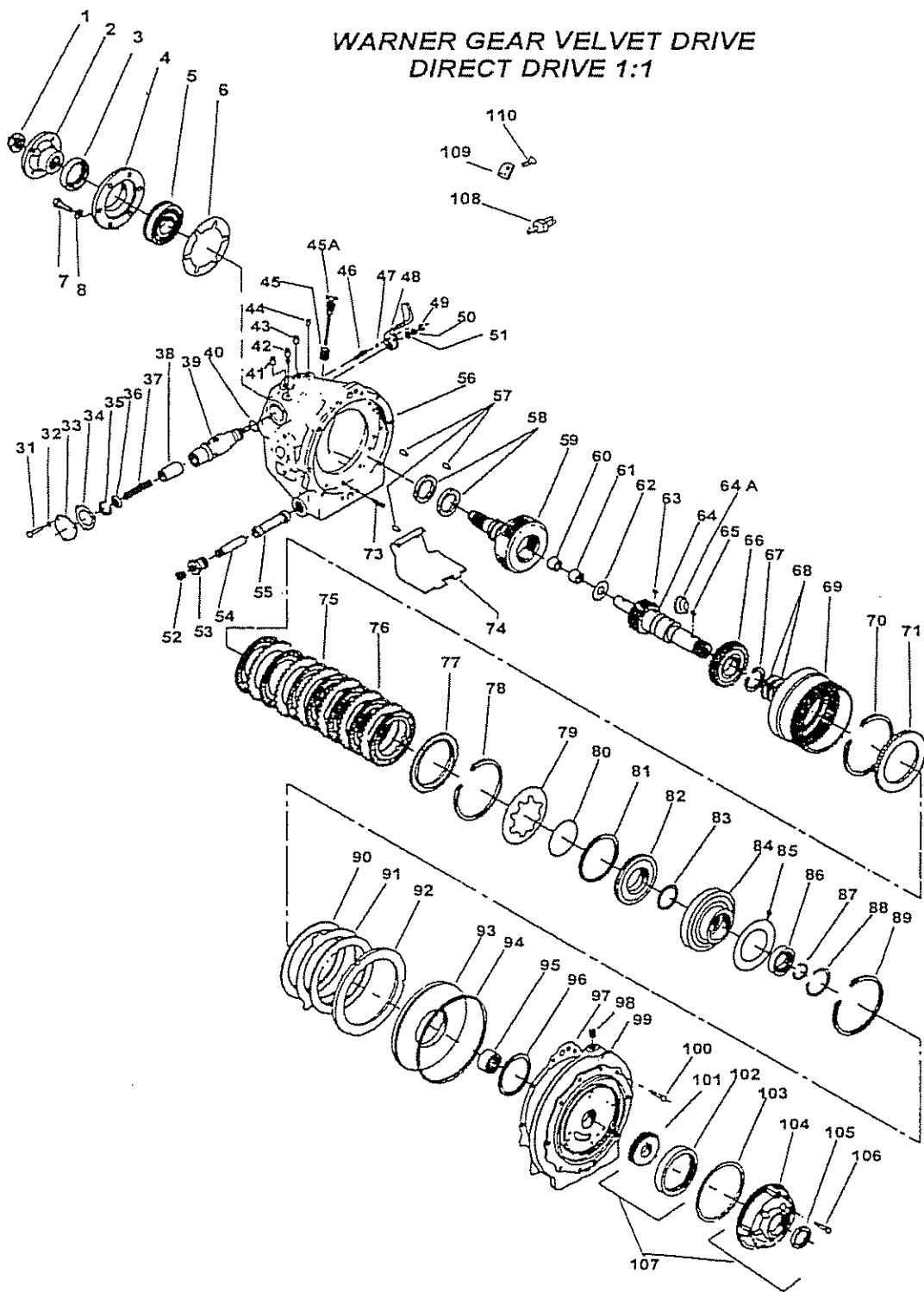


FIGURE T7

WARNER GEAR 1.52:1 REDUCTION RATIO

REF. NO.	PART NUMBER	DESCRIPTION	QTY.	REF. NO.	PART NUMBER	DESCRIPTION	QTY.
Parts in this section relate to the illustration in inset "A" and Cover the AS2 series Warner Gear Only				23	R009005	Bolt, 7/16" 14 x 1" Lock	6
				24	R096007	Washer, 7/16" Lock	6
				25	R079005	Adapter, Reduction Unit	1
1	R017002	Nut, Main Shaft	1	26	R067007	Bearing	1
2	R148014	Coupling 4" 10 Spline 71C	1	27	RS2159	Washer, 3/8" Lock	6
2	R148017	Coupling 5" 10 Spline 72C	1	28	RS0122	Bolt, 3/8" Hex Head	6
3	RS0072	Bolt, 7/16" Hex Head	6	29	R048016	Snap Ring	1
4	RS2160	Washer, 7/16" Lock	6	30	RM0014	Gasket, Adapter Front	1
5	R047009	Seal, Oil	1	31	RS0002	Bolt, 1/4" 20 x 5/8" Hex Head	3
6	R048012	Retainer, Bearing	1	32	RS2157	Washer, 1/4" Lock	3
7	RM0012	Gasket, Bearing Retainer	1	33	R060001	Cover, Valve	1
8	R067006	Bearing	1	34	RM0011	Gasket, Valve Cover	1
9	RS0074	Bolt, 7/16" 14 x 1 3/4" Hex Head	2	35	R048011	Snap Ring	1
10	RS2160	Washer, 7/16" Lock	2	36	R048031	Retainer, Valve Spring	1
11	R134002	Housing, Reduction (current)	1	37	R046002	Spring, Valve	1
12	R069004	Plug, Expansion	1	38	R035001	Valve, Pressure Regulator	1
13	R082001	Pin, Pinion Cage Drive	1	39	R035002	Valve, Transmission Shift	1
14	R082002	Pin, Roll	1	NI	RA035002	Valve, Shift Assembly (Includes Items 35 Thru 39)	1
15	R113005	Gear, Sun	1	40	R047010	"O" Ring	1
16	R058005	Shaft, Main	1	41	RS3541	Plug, 3/8" 18 NPT Pipe	1
Ref #1 to Ref #1643elow refer to the main drawing and illustrate the 10-17 & 10-18 series Warner Gear. All other Ref numbers cover both Gear series except at noted. The 10-17 & 10-18 series Gear uses sealing Rings on the Pinion Shaft in place of case bushings as used on previous series Gears.				42	R034002	Breather Assembly	1
1	R017003	Nut, Main Shaft	1	43	RS3541	Plug, 3/8" 18 NPT Pipe	1
2	R148019	Coupling 5" x 24 Spline 10-17 & 10-18	1	44	RS3539	Plug, 1/8" 27 NPT DrySeal	1
3	R047125	Seal, Oil	1	45	R041009	Dipstick Assembly	1
4	R067020	Cone, Bearing Rear	1	45	R041028	Tube, Dipstick	1
5	R067021	Cup, Bearing Rear	1	45A	R041026	Dipstick	1
6	RS0074	Bolt, 7/16" 14 x 1 1/4"	2	46	R046003	Spring, Detent	1
7	RS2160	Washer, 7/16" Lock	2	47	R165001	Ball, 5/16" Steel	1
8	R134002A	Housing, Reduction	1	48	R166001	Lever, Foreward And Reverse Shift	1
9	R062039	Spacer, Bearing Collapsible	1	49	RS1508	Nut, 5/16" 24 Hex	1
9	R062040	Spacer, Bearing .820" Thru .821"	AR	50	RS2158	Washer, 5/16" Lock	1
9	R062041	Bearing Spacer .829" Thru .830"	AR	51	RS2653	Washer, Control Lever	1
9	R062042	Bearing Spacer .832" Thru .833"	AR	52	RS3541	Plug, 3/8" 18 NPT Pipe	1
9	R062043	Bearing Spacer .835" Thru .836"	AR		R024014	Bushing	1
9	R062044	Bearing Spacer .838" Thru .839"	AR	54	R085004	Tube, Oil Return	1
1	R062045	Bearing Spacer .841" Thru .842"	AR	55	R074002	Strainer, Oil Assembly	1
9	R062046	Bearing Spacer .844" Thru .845"	AR	56	RB157017	Case, Transmission With Bushings 71C	1
9	R062047	Bearing Spacer .847" Thru .848"	AR	56	RB157004	Case, Transmission With Bushings 72C	1
9	R062018	Bearing Spacer .850" Thru .851"	AR	56	RB157002A	Case, Transmission 10-17 Series	1
10	R067038	Cup, Bearing Front	1	56	RB157004B	Case, Transmission 10-18 Series	1
11	R067039	Cone, Bearing Front	1	57	R022002	Pin, Dowel 71C & 10-17	3
12	R058040	Shaft, Main Reduction Unit	1	57	R022007	Pin, Dowel 72C & 10-18	3
13	R048074	Snap Ring	1	58	RK051003	Kit, Presized Case Bushing (2 In Kit) 71C & 72C	1
14	R109029	Hub, Sun Gear Locking	1	58	R047124	Sealing Rings 10-17 & 10-18	4
11	R019098	Bolt, Special Locking	1	59	R058007	Shaft, Pinion Cage & Output Assembly 71C Series	1
16	R113027	Gear, Sun	1	59	R058028	Shaft, Pinion Cage & Output Assembly 72C Series	1
17	R167002	Pinion Cage, Assembly	1	59	R058007A	Shaft, Pinion Cage & Output Assembly 10-17 Series	1
NI	RK167002	Kit, Pinion	3	59	R058028A	Shaft, Pinion Cage & Output Assembly 10-18 Series	1
NI	RK170002	Kit, Oil Ring	1	NI	RK058004	Kit, Inner Pinion	3
18	R048015	Snap Ring	1	FOR ADDITIONAL INFORMATION, SEE BULLETINS !			
19	R139002	Gear, Ring	1				
20	R113006	Gear, Input	1				
21	R048013	Snap Ring	1				
22	RM0113	Gasket, Adapter Rear	1				

WARNER GEAR VELVET DRIVE
1.52:1 REDUCTION RATIO

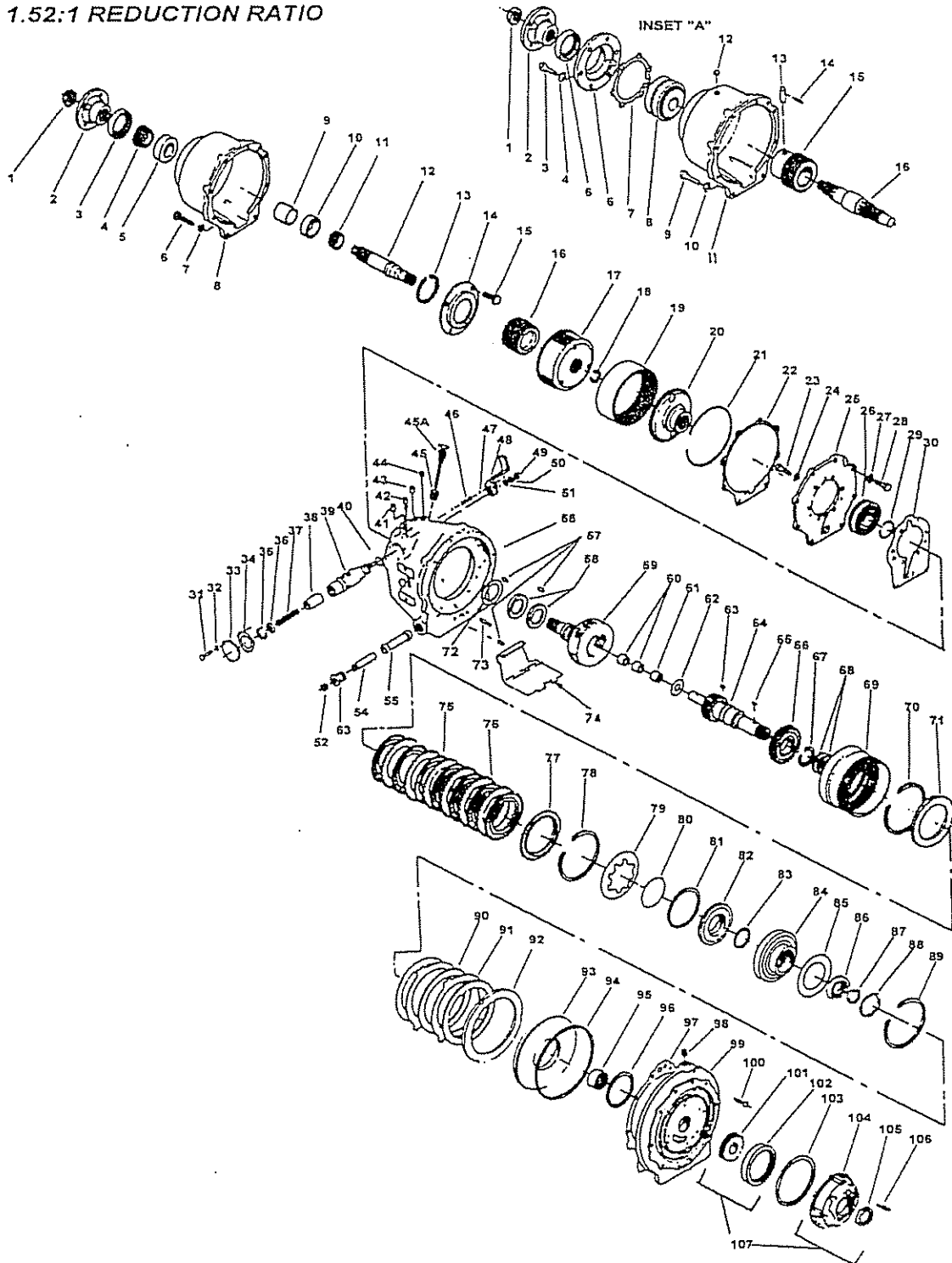


FIGURE T8

WARNER GEAR 1.52:1 REDUCTION RATIO

REF. NO.	PART NUMBER	DESCRIPTION	QTY.	REF. NO.	PART NUMBER	DESCRIPTION	QTY.
NI	RK058004A	Kit, Outer Pinion	3	90	R160008	Plate, Reverse Clutch Inner	
NI	RK170001	Kit, Oil Ring	1			72C And 10-18	3
60	RK051001	Kit, Presized Bushing	1	91	R160009	Plate, Reverse Clutch Outer	
61	RK051001	Kit, Presized Bushing	1			71C And 10-17	1
62	R096005	Washer, Thrust	1	91	R160009	Plate, Reverse Clutch Outer	
63	R164002	Key, Woodruff 71C And 10-17	1			72C And 10-18	2
63	R164010	Key, Woodruff 72C And 10-18	1	92	R160001	Plate, Reverse Clutch Pressure	1
64	R113003	Shaft, Input Gear And Plug Assembly		93	R161001	Piston, Reverse Clutch	1
		(26 spline) 71C And 10-17	1	94	R047004	Sealing Ring	1
64	R113026	Shaft, Input Gear & Plug Assembly		95	R067003	Bearing, Needle	1
		72C And 10-18	1	96	R047005	Sealing Ring	1
65	R164001	Key, Woodruff	1	97	RM0009	Gasket, Case To Adapter	1
66	R162001	Hub, Forward Clutch		98	R83540	Plug, 1/4" Pipe	1
		71C And 10-17	1	99	R079003	Adapter, Forward And Reverse	1
66	R162002	Hub, Forward Clutch		100	R009003	Cap Screw Special, 3/8" 16 x 1-1/4" 4	
		72C And 10-18	1	101	Not Serviced	Gear, Drive (Order Pump Assembly)	
67	R048009	Snap Ring	1	102	Not Serviced	Gear, Driven (Order Pump Assembly)	
68	R047008	Sealing Ring	2	103	RM0008	Gasket, Pump	1
69	R139001	Gear, Ring 71C And 10-17	1	104	Not Serviced	Housing, (Order Pump Assembly)	1
69	R139005	Gear, Ring 72C And 10-18	1	105	R047003	Seal, Oil Assembly	1
70	R048040	Snap Ring .054" Thru .059"		106	R009099	Bolt, 5/16" 18 x 1-3/8" Hex Head	4
		72C And 10-18	AR	107	RA070001	Pump, Oil Pressure Assembly	1
70	R048041	Snap Ring .074" Thru .078"		NI	RK173018	Kit, Gasket And Seal	1
		72C And 10-18	AR	NI	RK173019	Kit, Snap Ring	1
70	R048075	Snap Ring .084" Thru .088"		NI	R153002	Switch, Neutral Safety	1
		72C And 10-18	AR	NI	R031005	Stud, Engine Mounting	2
70	R048042	Snap Ring .096" Thru .100"		NI	RS0337	Bolt, Engine Mounting	4
		72C And 10-18	AR	NI	RS1029	Nut, Engine Mounting	2
71	R160004	Plate, Clutch Pressure	1	NI	RS2181	Washer, Lock Engine Mounting	6
72	R096008	Washer, Thrust Small 71C	1	NI	R082009	Cotter Pin	1
72	R096049	Washer, Thrust Large 71C	1	NI	R024024	Shift Cable End	1
72	R096077	Washer, Thrust 10-17 And 10-18	1				
73	R046001	Spring, Pressure Plate	12				
74	R012003	Baffle	1				
75	R160005	Plate, Clutch Inner 71C And 10-17	5				
75	R160005	Plate, Clutch Inner 72C And 10-18	7				
NI	RK160010	Kit, Clutch Pack 72C And 10-18	1				
NI	RK160005	Kit, Clutch Pack 71C And 10-17	1				
76	R160006	Plate, Clutch Outer 71C And 10-17	4				
76	R160006	Plate, Clutch Outer 72C And 10-18	6				
77	R160007	Plate, Clutch Pressure	1				
78	R048008	Snap Ring, Clutch Spring	1				
79	R160003	Spring, Clutch Piston Return	1				
80	R048006	Spring, Clutch Bearing Ring	1				
81	R047006	Ring, Clutch Piston Sealing Outer	1				
82	R161002	Piston, Forward Clutch	1				
83	R047007	Ring, Clutch Piston Sealing Inner	1				
84	R163001	Cylinder, Forward Clutch					
		71C And 10-17	1				
84	R163002	Cylinder, Forward Clutch					
		72C And 10-18	1				
85	R096004	Washer, Thrust	1				
86	R067004	Bearing, 71C And 10-17	1				
86	R067030	Bearing, 72C And 10-18	1				
87	R048015	Snap Ring, 71C And 10-17	1				
87	R048053	Snap Ring, 72C And 10-18	1				
88	R048004	Snap Ring, 71C And 10-17	1				
88	R048054	Snap Ring, 72C And 10-18	1				
89	R048007	Snap Ring, Ring Gear	1				
90	R160008	Plate, Reverse Clutch Inner					
		71C And 10-17	2				

Transmission Assemblies

.....	RA157002	Transmission Assembly 10-17
.....	RA157004	Transmission Assembly 10-18

4" Driven Half-Couplings

NI	R148010	1" Coupling	1
NI	R148011	1 1/8" Coupling	1
NI	R148012	1 1/4" Coupling	1
NI	R148013	1 3/8" Coupling	1
NI	R148018	1 1/2" Coupling	1

5" Driven Half-Couplings

NI	R148001	1" Coupling	1
NI	R148002	1 1/8" Coupling	1
NI	R148003	1 1/4" Coupling	1
NI	R148004	1 3/8" Coupling	1
NI	R148005	1 1/2" Coupling	1
NI	R148006	1 3/4" Coupling	1
NI	R148008	2" Coupling	1
NI	R148009	2 1/2" Coupling	1

WARNER GEAR VELVET DRIVE
1.52:1 REDUCTION RATIO

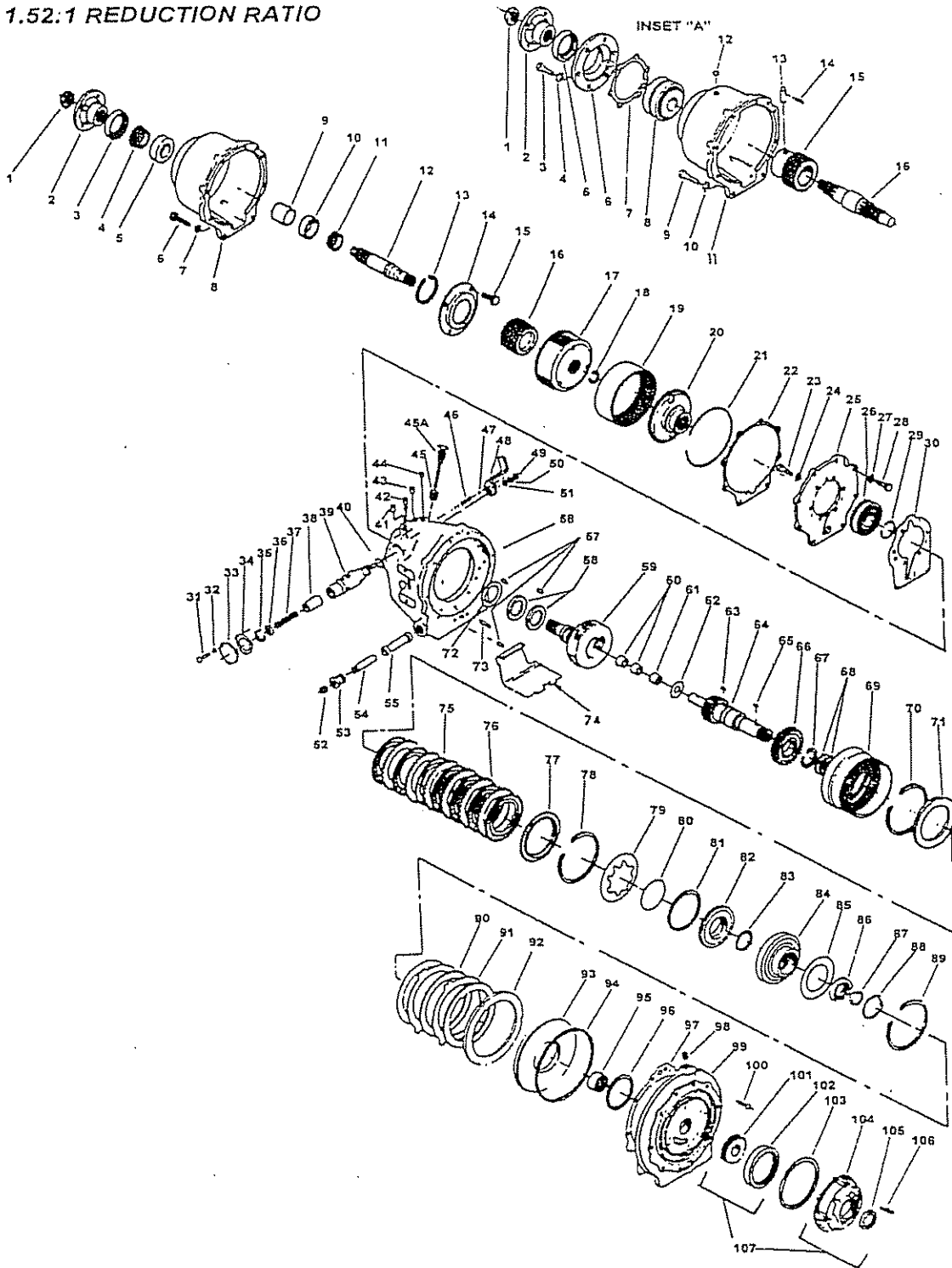


FIGURE T8

WARNER GEAR 1.91:1 REDUCTION RATIO

REF. NO.	PART NUMBER	DESCRIPTION	QTY.	REF. NO.	PART NUMBER	DESCRIPTION	QTY.
Parts in this section relate to the illustration in the inset "A" and cover the AS2 series gear only				25	R048014	Snap Ring	1
1	R017002	Nut, Main Shaft	1	26	RS2159	Washer, 3/8" Lock	6
2	R148014	Coupling	1	27	RS0122	Bolt, 3/8" Hex Head	6
3	RS0072	Bolt, 7/16" Hex Head	6	28	R067005	Bearing, Annular	1
4	RS2160	Washer, 7/16" Lock	6	29	RM0014	Gasket, Adapter Front	1
5	R047009	Seal, Output Shaft Oil	1	31	RS0002	Bolt, 1/4" 20 x 5/8" Hex Head	3
6	R048012	Retainer, Bearing	1	32	RS2157	Washer, 1/4" Lock	3
7	RM0012	Gasket, Bearing Retainer	1	33	R060001	Cover, Valve	1
8	R067006	Bearing	1	34	RM0011	Gasket, Valve Cover	1
9	RS0074	Bolt, 7/16" 14 x 1 3/4" Hex Head	2	35	R048011	Snap Ring	1
10	RS2160	Washer, 7/16" Lock	2	36	R048031	Retainer, Valve Spring	1
11	R134001	Housing, Reduction	1	37	R046002	Spring, Valve	1
				38	R035001	Valve, Pressure Regulator	1
				39	R035002	Valve, Body	1
				NI	RA035002	Valve And Spring Assembly (Items 35-40)	1
				40	R047010	"O" Ring	1
				41	RS3541	Plug, 3/8" 18 NPT Shipping	1
				42	R034002	Breather, Assembly	1
				43	RS3541	Plug, 3/8" 18 NPT Pipe	1
				44	RS3539	Plug, 1/8" 27 NPT Dry Seal	1
				45A	R041009	Dipstick, Assembly Threaded	1
				45	R041028	Tube, Dipstick	1
				45A	R041026	Dipstick, Expandable Seal	1
				46	R046003	Spring, Detent Ball	1
				47	R165001	Ball, Detent 5/16" Steel	1
				48	R166001	Lever, Transmission Shift	1
				49	RS1508	Nut, 5/16" 24 Hex	1
				50	RS2158	Washer, 5/16" Lock	1
				51	RS2653	Washer, Control Lever	1
				52	RS3541	Plug, 3/8" 18 NPT Shipping	1
				53	R024014	Bushing	1
				54	R085004	Tube, Oil Return	1
				55	R074017	Strainer, Assembly Oil	1
				56	RB157002	Case, Transmission With Bushings 71C Series	1
				56	RB157004	Case, Transmission With Bushing 72C Series	1
				56	RB157002A	Case, Transmission 10-17 Series	1
				56	RB157004B	Case, Transmission 10-18 Series	1
				57	R022002	Pin, Dowel 71C And 10-17 Series	3
				57	R022007	Pin, Dowel 72C And 10-18 series	3
				58	RK051003	Bushing, Presized For Case (2 In Kit) 71C And 72C	1
				58	R047124	Sealing Rings 10-17 And 10-18	4
				59	RA058004	Pinion Cage And Output Shaft Assembly 71C	1
				59	R058030	Pinion Cage And Output Shaft Assembly 72C	1
				59	R058004A	Pinion Cage And Output Shaft Assembly 10-17	1
				59	R058030A	Pinion Cage And Output Shaft Assembly 10-18	1
				NI	RK058004	Kit, Inner Pinion	3
				NI	RK058004A	Kit, Outer Pinion	3
				NI	RK170001	Kit, Oil Ring	1
				60 & 61	RK051001	Bushing Presized Main Drive Gear (2 In Kit)	1
				FOR ADDITIONAL INFORMATION, SEE BULLETINS !			

WARNER GEAR VELVET DRIVE
1.91:1 REDUCTION RATIO

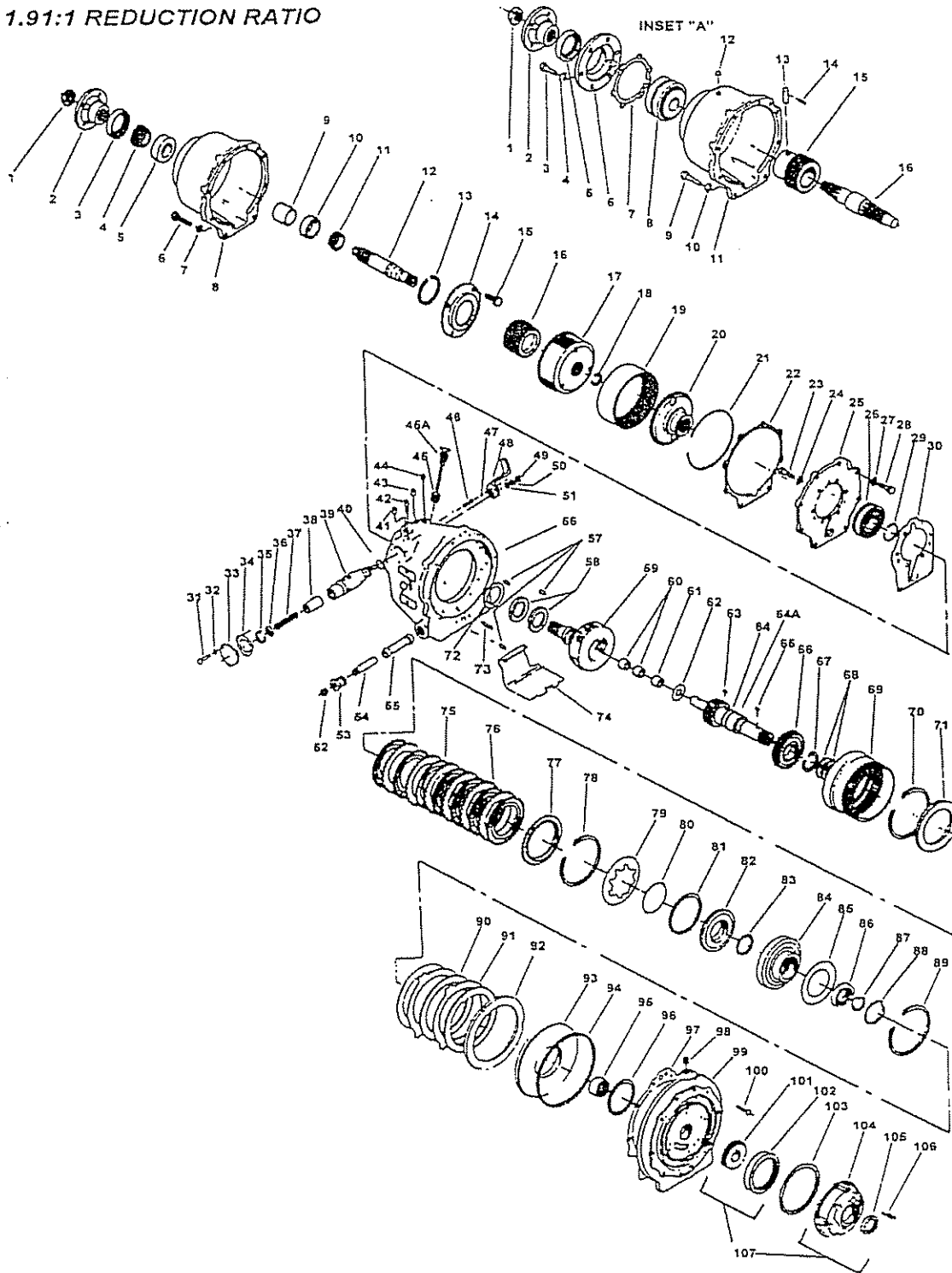


FIGURE T9

WARNER GEAR 1.91:1 REDUCTION RATIO

REF. NO.	PART NUMBER	DESCRIPTION	QTY.	REF. NO.	PART NUMBER	DESCRIPTION	QTY.
62	R-096005	Washer, Thrust	1	92	R-160001	Plate, Reverse Clutch Pressure	1
63	R-164002	Key, Woodruff 71C And 10-17	1	93	R-161001	Piston, Reverse Clutch	1
63	R164010	Key, Woodruff 72C And 10-18	1	94	R047004	Ring, Piston Outer Sealing	1
64	R-113003	Drive Gear And Plug Assembly (26 Spline) 71C And 10-17	1	95	R-067003	Bearing, Needle	1
64	R113026	Drive Gear And Plug Assembly	1	96	R-047005	Ring, Piston Inner Sealing	1
64A	RK173022	Kit, Input Shaft Seal Surface Repair	1	97	RM0009	Gasket, Case To Adapter	1
65	R-164001	Key, Woodruff	1	98	RS3540	Plug, 1/4" Pipe NPT	1
66	R-162001	Hub, Forward Clutch 71C And 10-17	1	99	R-079003	Adapter, Transmission To Engine	1
66	R162002	Hub, Forward Clutch 72C And 10-18	1	100	R-009003	Screw, 3/8" 16 x 1 1/4" Cap	4
67	R-048009	Snap Ring	1	NI	RA070001	Pump, Assembly	1
68	R-047008	Sealing Ring	2	101	Not serviced	Gear, Pump Drive {Order Pump Assembly (see # 107)}	1
69	R-139001	Gear, Ring 71C And 10-17	1	102	Not serviced	Gear, Pump driven (Order Pump Assembly (see # 107))	1
69	R139005	Gear, Ring 72C And 10-18	1	103	RM0008	Gasket, Pump	1
70	R048040	Snap Ring, .054" Thru .059" 72C And 10-18	AR	104	Not serviced	Housing, Pump (Order Pump Assembly (see # 107))	1
70	R048041	Snap Ring, .074" Thru .078" 72C And 10-18	AR	105	R-047003	Seal, Front Pump Oil	1
70	R048075	Snap ring, .084" Thru .088" 72C And 10-18	AR	106	R009099	Bolt, 5/16" 18 x 1 3/8 Hex Head	4
70	R048042	Snap ring .096" Thru .100" 72C And 10-18	AR	107	RA070001	Pump Assembly	1
71	R-160004	Plate, Clutch pressure	1	NI	R-031005	Stud, Engine Mounting	3
73	R046001	Spring, Pressure plate	12	NI	RS1029	Nut, Engine Mounting	2
74	R012003	Baffle	1	NI	RS0337	Bolt, Engine Mounting	4
75	R160005	Plate, Clutch Inner 71C And 10-17	5	NI	RS2181	Washer, Lock Engine Mounting	6
75	R160005	Plate, Clutch Inner 72C And 10-18	7	NI	R-153002	Switch, Neutral Safety	1
NI	RK160005	Kit, Clutch Pack 71C And 10-17	1	NI	RK173018	Kit, Gasket And Seal	1
NI	RK160010	Kit, Clutch Pack 72C And 10-18	1	NI	RK173019	Kit, Snap Ring	1
76	R160006	Plate, Clutch Outer 71C And 10-17	4	Transmission Assemblies			
76	R160006	Plate, Clutch Outer 72C And 10-18	6	RA157002B	Trans. Assembly 10-17	
77	R160007	Plate, Clutch Pressure	1	RA157004A	Trans. Assembly 10-18	
78	R048008	Snap Ring, Clutch Cylinder	1	4" Driven Half-Coupling			
80	R048006	Clutch spring brg. ring	1	NI	R-148010	1" Coupling	1
81	R047006	Sealing Ring, Clutch Piston Outer	1	NI	R-148011	1-1/8" Coupling	1
82	R161002	Piston, Forward Clutch	1	NI	R-148012	1-1/4" Coupling	1
83	R047007	Sealing Ring, Clutch Piston Inner	1	NI	R-148013	1-3/8" Coupling	1
84	R163001	Cylinder, Forward Clutch 71C And 10-17	1	NI	R148018	1-1/2" Coupling	1
84	R163002	Cylinder, Forward Clutch 72C And 10-18	1	5" Driven Half-Coupling			
85	R096004	Washer, Thrust	1	NI	R148001	1" Coupling	1
86	R067004	Bearing 71C And 10-17	1	NI	R148002	1-1/8" Coupling	1
86	R067030	Bearing 72C And 10-18	1	NI	R148003	1-1/4" Coupling	1
87	R048015	Snap Ring, Shaft 71C And 10-17	1	NI	R148004	1-3/8" Coupling	1
87	R048053	Snap Ring, Shaft 72C And 10-18	1	NI	R148005	1-1/2" Coupling	1
88	R048004	Snap Ring, Bearing 71C And 10-17	1	NI	R148006	1-3/4" Coupling	1
88	R048054	Snap Ring, Bearing 72C And 10-18	1	NI	R148008	2" Coupling	1
89	R048007	Snap Ring, Clutch Cylinder	1	NI	R148009	2-1/2" Coupling	1
90	R-160008	Plate, Reverse Clutch 71C & 10-17	2	NI	R024024	Shift Cable End	1
90	R160008	Plate, Reverse Clutch 72C & 10-18	3	NI	R082009	Cotter Pin	1
91	R160009	Plate, Reverse Outer Clutch 71C And 10-18	1	FOR ADDITIONAL INFORMATION, SEE BULLETINS :			
91	R160009	Plate, Reverse Outer Clutch 72C And 10-18	2				

WARNER GEAR VELVET DRIVE
1.91:1 REDUCTION RATIO

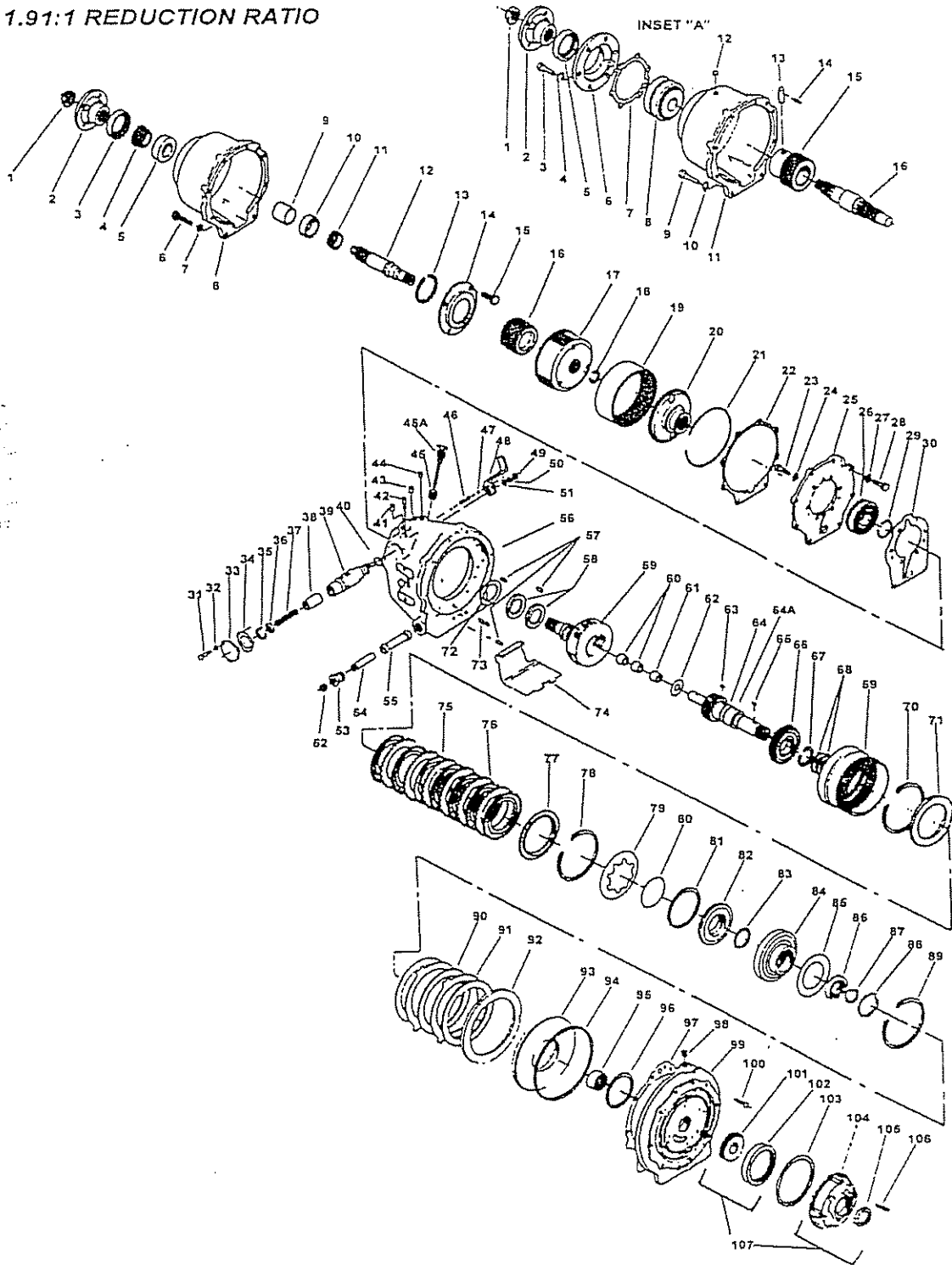


FIGURE T9

WARNER GEAR 2.57:1 OR 2.91:1 REDUCTION RATIO

REF. NO.	PART NUMBER	DESCRIPTION	QTY.	REF. NO.	PART NUMBER	DESCRIPTION	QTY.
Parts in this section relate to the illustration in the inset 'A' and Cover the AS2 series Gear only				19	R048017	Snap Ring (2.57:1 Only)	1
1	R017003	Nut, Main Shaft	1	20	R048013	Snap Ring (2.91:1 Only)	1
2	R148015	Coupling	1	21	RM0013	Gasket, Adapter Rear	1
3	RS0072	Bolt, 7/16 Hex Head	6	22	R079006	Adapter, Reduction Unit (Current)	1
4	RS2160	Washer, 7/16 Lock	6	23	RS2159	Washer, 3/8" Lock	6
5	R047009	Seal, Oil	1	24	RS0122	Bolt, 3/8" Hex Head	6
6	R048012	Retainer, Bearing	1	25	R048014	Snap Ring	1
7	RM0012	Gasket, Bearing Retainer	1	26	R067005	Bearing	1
8	R067008	Bearing	1	31	RM0014	Gasket, Adapter Front	1
9	RS0074	Bolt, 7/16" 14 x 1-3/4 Hex Head	2	32	RS0002	Bolt, 1/4" 20 x 5/8 Hex Head	3
10	RS2160	Washer, 7/16" Lock	2	33	RS2157	Washer, 1/4" Lock	3
11	R134003	Housing, Reduction (Current)	1	34	R060001	Cover, Valve	1
12	R167004	Pinion Cage And Drive Shaft, Assembly {2.57:1 Only} 71C And 72C	1	35	RM0011	Gasket, Valve Cover	1
NI	RK167003	Kit, Pinion {2.57:1 Only}	3	36	R048011	Snap Ring	1
NI	RK170003	Kit, Oil Ring {(2.57:1 Only)}	1	37	R048031	Retainer, Valve Spring	1
12	R167003	Pinion Cage And Drive Shaft Assembly {2.91:1 Only} 71C And 72C	1	38	R046002	Spring, Valve	1
NI	RK167002	Kit, Pinion {2.91:1 Only}	3	39	R035001	Valve, Pressure Regulator	1
NI	RK170002	Oil Ring Kit {2.91:1 Only}	1	39	R035002	Valve, Transmission	1
				NI	RA035002	Valve And Spring Assembly (Items 35 Thru 40)	1
				40	R047010	"O" Ring	1
				41	RS3541	Plug, 3/8" x 18NPT Plastic Shipping	1
				42	R034002	Breather Assembly	1
				43	RS3541	Plug, 3/8" x 18 NPT Pipe	1
				44	RS3539	Plug, 1/8" x 27 NPT Dryseal	1
				45	R041028	Tube, Dipstick	1
				45A	R041026	Dipstick, Expandable Seal	1
				45A	R041009	Dipstick, Assembly Threaded	1
				46	R046003	Spring, Detent Ball	1
				47	R165001	Ball, 5/16" Steel	1
				48	R166001	Lever, Forward And Reverse Shift	1
				49	RS1508	Nut, 5/16" x 24 Hex	1
				50	RS2158	Washer, 5/16" Lock	1
				51	RS2653	Washer, Control Lever	1
				52	RS3541	Plug, 3/8" x 18NPT Plastic Shipping	1
				53	R024014	Bushing	1
				54	R085004	Tube, Oil Return	1
				55	R074017	Strainer Assembly, Oil	1
				56	RB157002	Case, 71C Transmission With Bushings	1
				56	RB157004	Case, 72C Transmission With Bushing	1
				56	RB157002A	Transmission Case 10-17 Series	1
				56	RB157004B	Transmission Case 10-18 Series	1
				57	R022002	Dowel Pin 71C And 10-17 Series	3
				57	R022007	Dowel Pin 72C And 10-18 Series	3
				58	RK051003	Presized Case Bushing (2 In Kit) 71C And 72C Series	1
				58	R047124	Sealing Rings 10-17 And 10-18	4
				59	RA058004	Pinion Cage And Output Shaft Assembly 71C Series	1
				59	R058030	Pinion Cage And Output Shaft Assembly 72C Series	1
				59	R058004A	Pinion Cage And Output Shaft Assembly 10-17 Series	1

<p>Reference numbers 1 thru 12 which follow refer to the main drawing and illustrate the 10-17 and 10-18 Series Gear. All other reference numbers Cover both Series Gears except as noted</p>	
---	--

1	R017003	Nut, Main Shaft	1
2	R148019	Coupling	1
3	R047125	Seal, Oil	1
4	R067020	Cone, Bearing	1
5	R067021	Cup, Bearing	1
6	RS0074	Bolt	2
7	RS2160	Washer, Lock	2
8	R134002A	Housing, Reduction	1
9	R009098	Bolt, Special	2
10	R012014	Baffle, Oil	1
11	R062039	Spacer, Collapsible	1
11	R062040	Spacer .820" Thru .821"	AR
11	R062041	Spacer .829" Thru .830"	AR
11	R062042	Spacer .832" Thru .833"	AR
11	R162143	Spacer .835" Thru .836"	AR
11	R062044	Spacer .838" Thru .839"	AR
11	R062045	Spacer .841" Thru .842"	AR
11	R062046	Spacer .844" Thru .845"	AR
11	R062047	Spacer .847" Thru .848"	AR
11	R062048	Spacer .850" Thru .851"	AR
11A	R067118	Cup, Bearing	1
11B	R067039	Cone, Bearing	1
12	R167004A	Pinion Cage And Driven Shaft Assembly 10-17 And 10-18 2.57:1	1
12	R167003A	Pinion Cage And Driven Shaft Assembly 10-17 And 10-18 2.91:1	1
13	R048015	Snap Ring	1
14	R113007	Sun Gear {(2.57:1 Only)}	1
	R113004	Sun Gear {2.91:1 Only}	1
15	R139003	Ring Gear {2.57:1 Only}	1
	R139002	Ring Gear {2.91:1 Only}	1
16	R009006	Bolt, Lock	6
17	R096007	Washer, 7/16" Lock	6
18	R109002	Plate, Stationary Gear (2.57:1 Only)	1
	R109001	Plate, Stationary Gear (2.91:1 Only)	1

FOR ADDITIONAL INFORMATION, SEE BULLETINS:

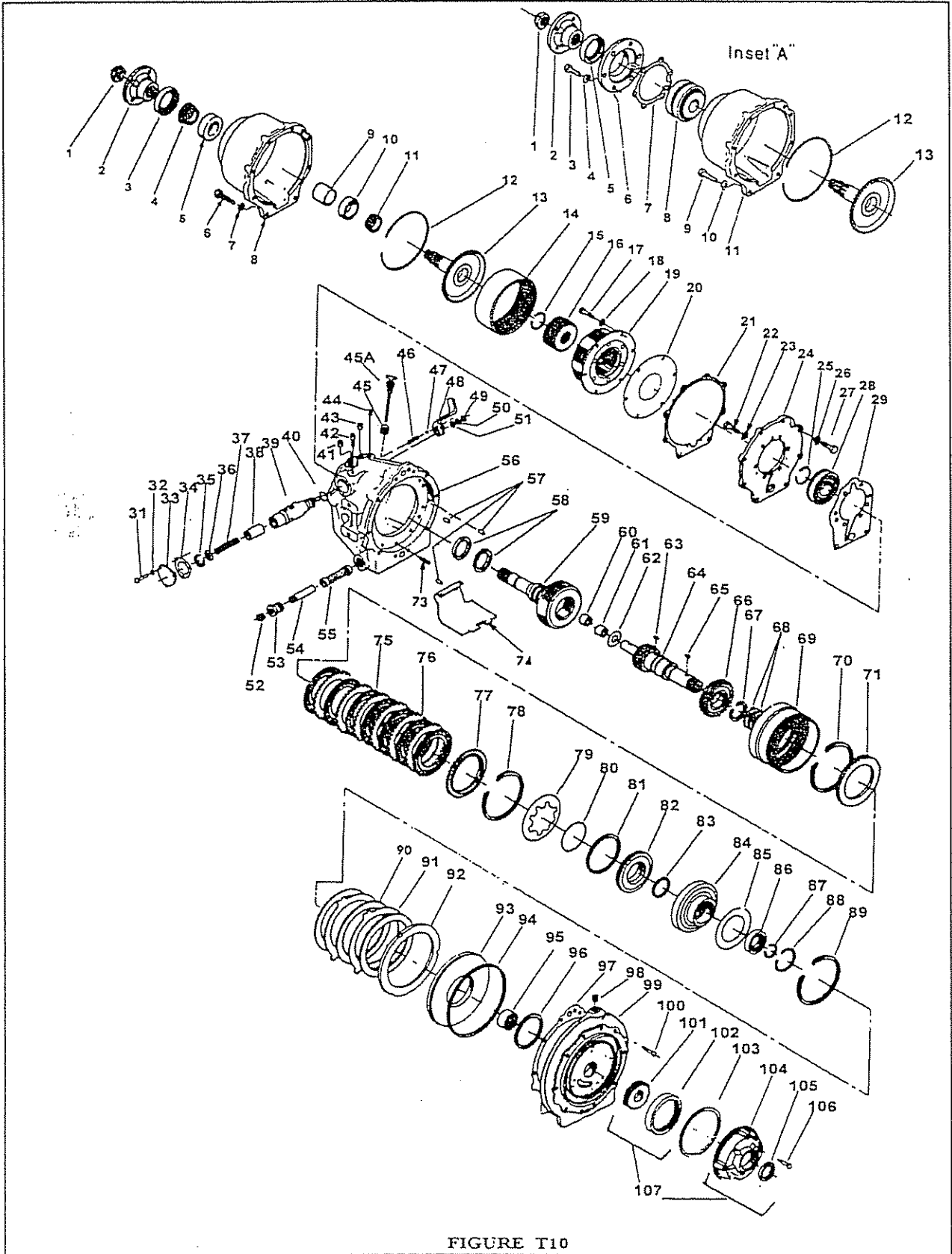


FIGURE T10

WARNER GEAR 2.57:1 OR 2.91:1 REDUCTION RATIO

REF. NO.	PART NUMBER	DESCRIPTION	QTY.	REF. NO.	PART NUMBER	DESCRIPTION	QTY.
59	R058030A	Shaft, Pinion Cage And Output Assembly 10-18	1	90	R160008	Plate, Inner Reverse Clutch 71C And 10-17	2
NI	RK058004	Kit, Outer Pinion	3	90	R160008	Plate, Inner Reverse Clutch 72C And 10-18	3
NI	RK058004A	Kit, Inner Pinion	3	91	R160009	Plate, Outer Reverse Clutch 71C And 10-17	1
NI	RK170001	Kit, Oil Ring	1	91	R160009	Plate, Outer Reverse Clutch 72C And 10-18	2
60	RK051001	Kit, Presized Bushing (2 In Kit)	1	92	R160001	Plate, Reverse Clutch Pressure	1
62	R096005	Washer, Thrust	1	93	R161001	Piston, Reverse Clutch	1
63	R164002	Key, Woodruff 71C And 1017	1	94	R047005	Sealing Ring, Reverse Piston Outer	1
63	R164010	Key, Woodruff 72C And 10-18	1	95	R067003	Needle Bearing	1
64	R113003	Drive Gear And Plug, Assembly (26 Spline) 71C And 10-17	1	96	R047005	Sealing Ring, Reverse Piston Inner	1
64	R113026	Drive Gear And Plug, Assembly 72C And 10-18	1	97	RM0009	Gasket, Case To Adapter	1
64A	RK173022	Kit, Input Shaft Seal Surface Repair	1	98	RS3540	Plug, 1/4 Pipe NPT	1
65	R164001	Key, Woodruff	1	99	R079003	Adapter, Transmission To Engine	1
66	R162001	Hub, Forward Clutch 71C And 10-17	1	100	R009003	Cap Screw, 3/8 16 x 1-1/4	4
66	R162602	Hub, Forward Clutch 72C And 10-18	1	101	Not serviced	Gear, Pump Drive {See # 107}	1
67	R048009	Ring, Snap	1	102	Not serviced	Gear, Pump Driven {See # 107}	1
68	R047008	Ring, Sealing	2	103	RM0008	Gasket, Pump To Adapter	1
69	R139001	Gear, Ring 71C And 10-17	1	104	Not serviced	Housing, Pump {See # 107}	1
69	R139005	Gear, Ring 72C And 10-18	1	105	R047003	Seal, Front Oil Pump	1
70	R048040	Ring, Snap .054" To .059" 72C And 10-18	AR	106	R009099	Bolt, 5/16 18 x 1 3/8 Hex Head	4
70	R048041	Ring, Snap .074" To .078" 72C And 10-18	AR	107	RA070001	Pump, Assembly	1
70	R048075	Ring, Snap .084" To .088" 72C And 10-18	AR	NI	RK173018	Kit, Gasket And Seal	1
70	R048042	Ring, Snap .096" To .100" 72C And 10-18	AR	NI	RK173019	Kit, Snap Ring	1
71	R160004	Plate, Clutch Pressure Rear	1	NI	R024024	End, Shift Cable	1
73	R046001	Spring, Pressure Plate	12	NI	R082009	Pin, Cotter	1
74	R012003	Baffle	1	NI	RA157002D	2.91:1 Transmission Assembly 10-17	1
75	R160005	Plate, Clutch Inner 71C And 10-17	5	NI	RA157004E	2.91:1 Transmission Assembly 10-18	1
75	R160005	Plate, Clutch Inner 72C And 10-18	7	NI	RA157002C	2.57:1 Transmission Assembly 10-17	1
NI	RK160010	Kit, Clutch Pack 72C And 10-18	1	NI	RA157004D	2.57:1 Transmission Assembly 10-18	1
76	R160006	Plate, Clutch Outer 71C And 10-17	4	NI	R153002	Switch, Neutral Safety	1
76	R160006	Plate, Clutch Outer 72C And 10-18	6	NI	R031005	Stud, Engine Mounting	2
77	R160007	Plate, Clutch Pressure Front	1	NI	RS1029	Nut	2
78	R048008	Snap Ring, Clutch Spring Support	1	NI	RS0337	Bolt, Engine Mounting	4
79	R160003	Spring, Clutch Return	1	NI	RS2181	Washer, Lock	6
80	R048006	Ring, Clutch Spring Bearing	1	Driven Half Coupling			
81	R047006	Sealing Ring, Clutch Piston Outer	1	NI	R148001	1" Coupling	1
82	R161002	Piston, Forward Clutch	1	NI	R148002	1-1/8" Coupling	1
83	R047007	Sealing Ring, Clutch Piston Inner	1	NI	R148003	1-1/4" Coupling	1
84	R163001	Cylinder, Forward Clutch 71C And 10-17	1	NI	R148004	1-3/8" Coupling	1
84	R163002	Cylinder, Forward Clutch 72C And 10-18	1	NI	R148005	1-1/2" Coupling	1
85	R096004	Washer, Thrust	1	NI	R148007	1-3/4" Coupling	1
86	R067004	Bearing, 71C And 10-17	1	NI	R148008	2" Coupling	1
86	R067030	Bearing, 72C And 10-18	1	NI	R148009	2-1/2" Coupling	1
87	R048015	Snap Ring, 71C And 10-17	1	FOR ADDITIONAL INFORMATION, SEE BULLETINS:			
87	R048053	Snap Ring, 72C And 10-18	1				
88	R048004	Snap Ring, 71C And 10-17	1				
88	R048054	Snap Ring, 72C And 10-18	1				
89	R048007	Snap Ring, Cylinder Retaining	1				

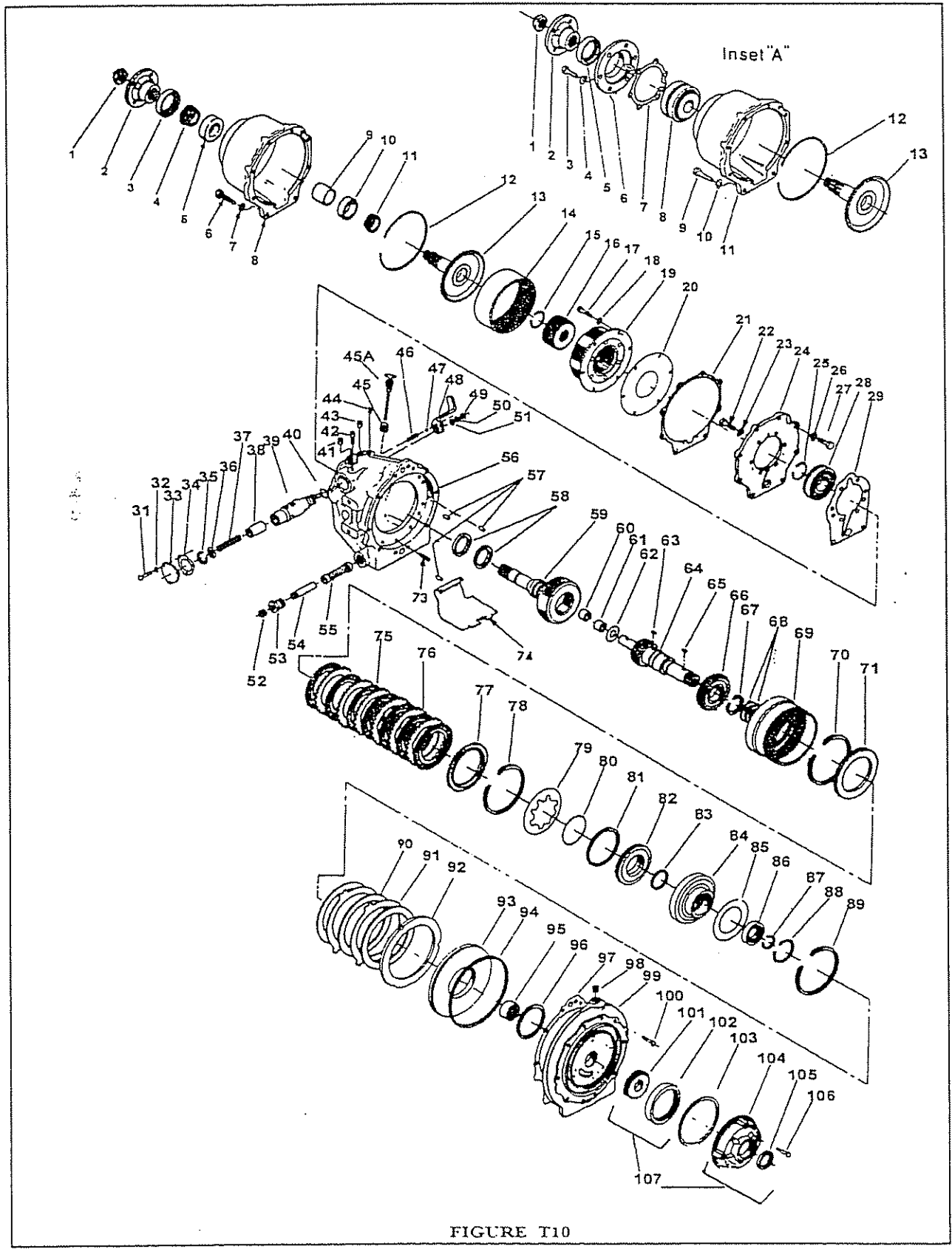


FIGURE T10

WARNER VEE DRIVE FORWARD SECTION

REF. NO.	PART NUMBER	DESCRIPTION	QTY.	REF. NO.	PART NUMBER	DESCRIPTION	QTY.
42	RS0002	Bolt, 1/4-20x5/8 Hex	3	72	R048075	Ring, Snap .084"-.088" 72C And	
43	RS2157	Washer, 1/4 Lock	3			10-18 Series	AR
44	R035001	Valve, Pressure Regulator	1	72	R048042	Ring, Snap .096"-.100" 72C And	
45	R085006	Tube, Suction	1			10-18 Series	AR
46	RM0053	Gasket, Transmission To Vee Drive	1	73	R160004	Plate, Forward Clutch Pressure Rear	1
47	R035002	Breather Assembly	1	74	R160005	Plate, Forward Clutch Inner	
48	RS3541	Plug, 3/8 x 18 Dryseal	1			71C And 10-17	5
49	RS3539	Plug, 1/8 x 27 Dryseal	1	74	R160005	Plate, Forward Clutch Inner	
50	R041011	Dipstick, Assembly Threaded	1			72C and 10-18	7
50	R041028	Tube, Dipstick	1	NI	RK160005	Kit, Clutch Pack 71C And 10-17	1
50A	R041027	Dipstick, Expandable Seal	1	NI	RK160010	Kit, Clutch Pack 72C And 10-18	1
51	R-046003	Spring, Detent Ball	1	75	R160006	Plate, Forward Clutch Outer	
52	R165001	Ball, 5/16 Steel Detent	1			71C And 10-17 Series	4
53	R166001	Lever, Forward And Reverse Shift	1	75	R160006	Plate, Forward Clutch Outer	
54	RS1508	Nut, 5/16 x 24 Hex	1			72C And 10-18	6
55	RS2158	Washer, 5/16 Lock	1	76	R160007	Plate, Forward Clutch PressureFront	1
56	RS2653	Washer, Control Lever	1	77	R048008	Snap Ring, Clutch Spring Support	1
57	RB156001	Transmission Case With Bushing	1	78	R060001	Cover, Valve	1
		Assembly 71C	1	79	RM0011	Gasket, Valve Cover	1
57	RB156002	Transmission Case With Bushing	1	80	R048011	Snap Ring, Control Valve	1
		Assembly 72C	1	81	R048012	Retainer, Valve Spring	1
57	R156001	Transmission Case 10-17 Series	1	82	R046002	Spring, Valve Piston	1
57	R156002	Transmission Case 10-18 Series	1	NI	RA035002	Valve Assembly	
58	R022002	Pin, Dowel 71C And 10-17	3			(Includes Items 44 And 80 Thru 84)	1
58	R022007	Pin, Dowel 72C And 10-18 Series	3	83	R035002	Valve Body, Forward And Reverse	1
59	RK051003	Bushing, Case (2 In Kit)	1	84	R047010	"O" Ring, Control Valve To Case	1
		71C And 72C Series	1	85	RS3541	Plug, 3/8 x 18 NPT	1
59	R047124	Rings, Sealing 10-17 And 10-18	4	86	R012003	Baffle, Oil	1
60	R096008	Washer, Thrust	1				
61	R058007	Shaft, Pinion Cage And Output	1				
		Assembly 71C Series	1				
61	R058028	Shaft, Pinion Cage And Output	1				
		Assembly 72C Series	1				
61	R058007A	Shaft, Pinion Cage And Output	1				
		Assembly 10-17	1				
61	R058028A	Shaft, Pinion Cage And Output	1				
		Assembly 10-18	1				
62 & 63	RK051001	Bushing, Main Drive Gear (2 InKit)	1				
64	R096005	Washer, Clutch Hub Thrust	1				
65	R164002	Key, Woodruff 71C And 10-17	1				
65	R164010	Key, Woodruff 72C And 10-18	1				
66	R113003	Drive Gear And Plug Assembly,	1				
		(Includes Item 87) 71C And 10-17	1				
66	R113026	Drive Gear And Plug Assembly,	1				
		(Includes Item 87) 72C And 10-18	1				
66A	RK173022	Kit, Input Shaft Seal Surface Repair	1				
67	R164001	Key, Woodruff	1				
68	R162001	Hub, Forward Clutch 71C & 10-17	1				
68	R162002	Hub, Forward Clutch 72C & 10-18	1				
69	R048009	Ring, Snap	1				
70	R047008	Ring, Sealing	2				
71	R139001	Ring Gear, 71C And 10-17	1				
71	R139005	Ring Gear, 72C And 10-18	1				
72	R048040	Ring, Snap .054"-.059" 72C And					
		10-18 Series					AR
72	R048041	Ring, Snap .074"-.078" 72C And					
		10-18 Series					AR

FOR ADDITIONAL INFORMATION, SEE BULLETINS:

WARNER GEAR VELVET DRIVE
2.57:1 OR 2.91:1 REDUCTION RATIO

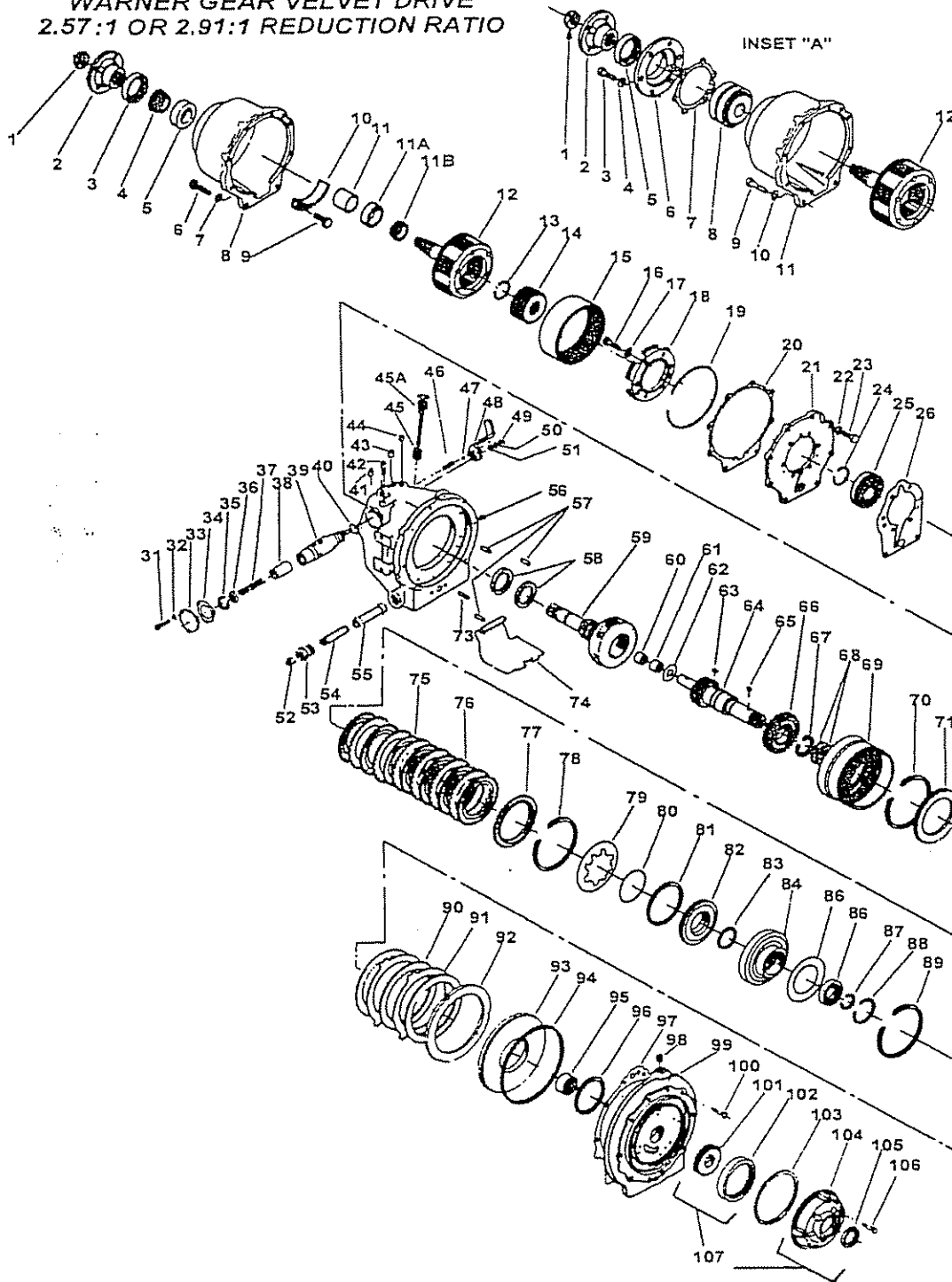


FIGURE T11

WARNER GEAR VELVET DRIVE
2.57:1 OR 2.91:1 REDUCTION RATIO

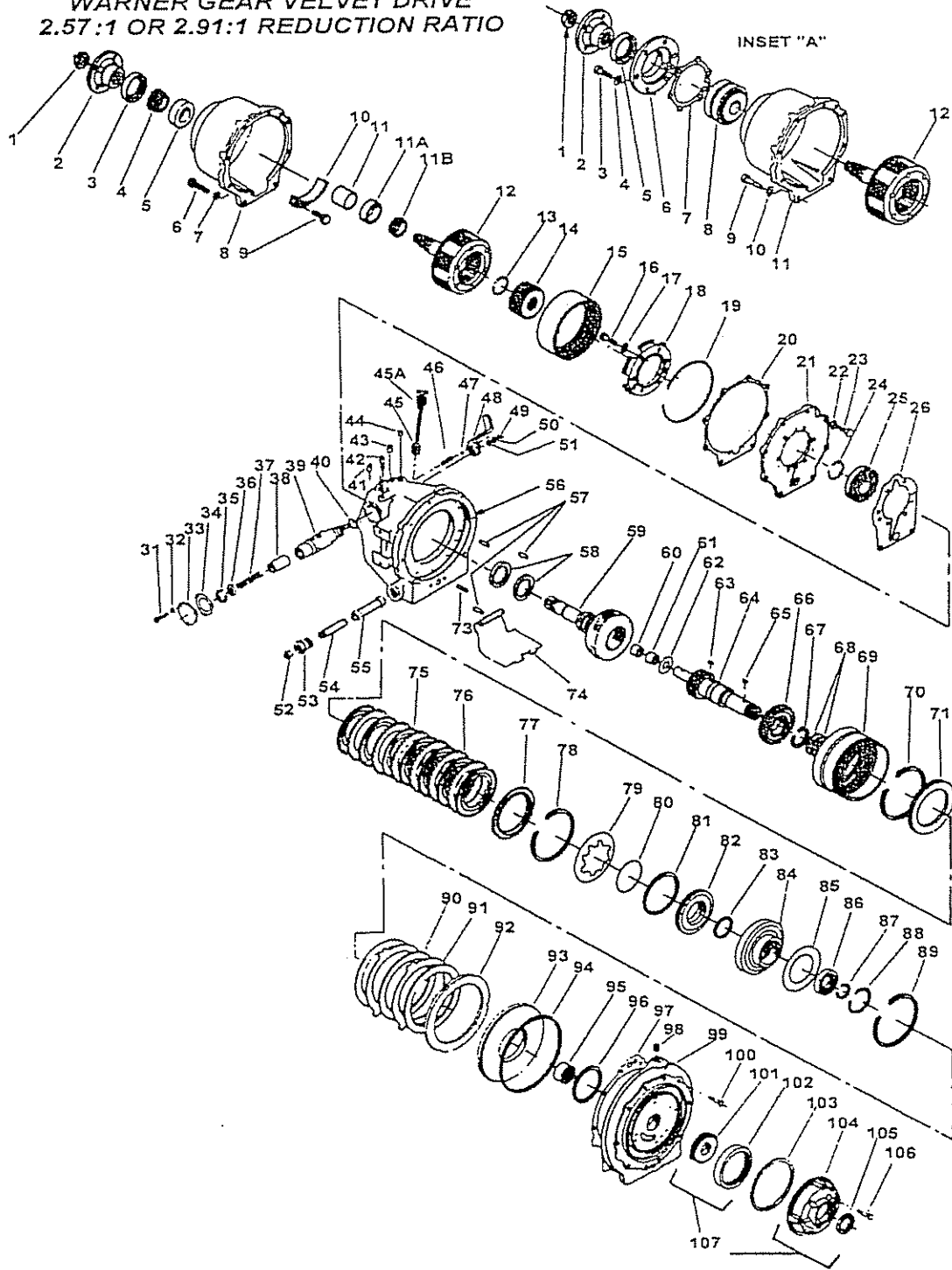


FIGURE T11

WARNER VEE DRIVE CHAIN DRIVE MODELS

REF. NO.	PART NUMBER	DESCRIPTION	QTY.	REF. NO.	PART NUMBER	DESCRIPTION	QTY.
1	R008001	Cap, Bearing	2	18	R054006	Sprocket, 41 Tooth 3.10:1 {2" Case}	1
2	R047050	"O" Ring	2	18	R054006A*	Sprocket, 41 Tooth 3.10:1 {2.5" Case}	1
3	RA060007*	Case And Cover Assembly 2.5"		19	R058018	Shaft, Intermediate {2" Case}	1
		1.53:1 and 1.98:1	1	19	R058018A*	Shaft, Intermediate {2.5" Case}	1
3	RA060007A*	Case And Cover Assembly 2.5"		20	R148016	Coupling	1
		All Other Reductions	1	21	R095017	Stud	6
4	R069013	Plug, Expansion	1	22	R017024	Hex Nut, 7/16 x 20	6
5	R009006	Bolt, Hex 7/16 x 1 1/4	8	NI	RS0331	Bolt, Hex Head 7/16 x 14 x 2	6
6	R082011	Pin, 3/16 x 9/16 Spring	2	23	RS2181	Washer, Lock 7/16	14
7	R082012	Pin, Taper	1	24	R082012	Pin, Taper	1
8	R067020	Cone, Bearing 2" Case	4	25	R067022	Bearing And Race, Roller	1
8	R067020	Cone, Bearing 2.5" Case	3	26	R048039	Snap Ring	1
8A	R067041*	Cone, Bearing	1	27	RS0798	Cap Screw, 3/8 24 x 7/8	2
9	R054001	Sprocket, 29 Tooth 1.98:1, 2" Case	1	28	R175014	Machine Screw, 1/4 20 x 1/2	2
9	R054001A*	Sprocket, 29 Tooth 1.98:1, 2.5" Case	1	29	R012006	Baffle, Chain	1
9	R054002	Sprocket, 33 Tooth 1.53:1, 2" Case	1	30	R048043	Retainer	1
9	R054002A*	Sprocket 33 Tooth 1.53:1, 2.5" Case	1	31	N.S.S.	Race, {Part Of Item 25}	
9	R054003	Sprocket, 25 Tooth 2.50:1, 2" Case	1	32	R113025	Gear, Bevel (33 Tooth)	1
9	R054003A*	Sprocket, 25 Tooth 2.50:1, 2.5" Case	1	33	R058019	Shaft, Output	1
9	R054004	Sprocket, 36 Tooth 1.21:1, 2" Case	1	34	R169021	Shim, Selective	1
9	R054004A*	Sprocket, 36 Tooth 3.10:1, 2.5" Case	1	34	R169022	Shim, Selective	1
9	R054005	Sprocket, 23 Tooth 3.10:1, 2" Case	1	34	R169023	Shim, Selective	1
9	R054005A*	Sprocket, 23 Tooth 1.21:1, 2.5" Case	1	35	R012007	Baffle, Oil	1
9	R054006	Sprocket, 41 Tooth 0.97:1, 2" Case	1	36	R067008	Bearing Assembly	1
9	R054006A*	Sprocket, 41 Tooth 0.97:1, 2.5" Case	1	37	RM0052	Gasket	1
10	R055003	Chain, Drive 0.97:1 2" And 3.10:1 Reduction 2" Case	1	38	R008002	Cap, Bearing	1
10	R055002	Chain, Drive All Other Reductions 2" Case	1	39	R047009	Seal, Oil	1
10	R055006*	Chain, Drive 0.97:1 And 3.10:1 Reduction 2.5" Case	1	40	R148015	Coupling	1
10	R055005*	Chain, Drive All other Reductions 2.5" Case	1	41	R017003	Nut, Output Shaft	1
11	R058017	Shaft, Input, 2" Case	1				
11	R058017A*	Shaft, Input, 2.5" Case	1				
12	R067021	Cup, Bearing, 2" Case	4				
12	R067021	Cup, Bearing, 2.5" Case	3				
12A	R067040*	Cup, Bearing, (2.5")	1				
13	RM0051	Gasket, Vee Drive	1				
14	R017024	Lock Nut, 7/16 x 20 Hex	6				
15	R095016	Stud, Case	6				
16	N.S.S.	Case, V Drive; 2" {Order Item 3}	1				
17	R113024	Gear, Bevel; {19 Tooth}	1				
18	R054001	Sprocket, 29 Tooth 1.53:1 {2" Case}	1				
18	R054001A*	Sprocket, 29 Tooth 1.53:1 {2.5" Case}	1				
18	R054002	Sprocket, 33 Tooth 1.98:1 {2" Case}	1				
18	R054002A*	Sprocket, 33 Tooth 1.98:1 {2.5" Case}	1				
18	R054003	Sprocket, 25 Tooth 1.21:1 {2" Case}	1				
18	R054003A*	Sprocket, 25 Tooth 1.21:1 {2.5" Case}	1				
18	R054004	Sprocket, 36 Tooth 2.50:1 {2" Case}	1				
18	R054004A*	Sprocket, 36 Tooth 2.50:1 {2.5" Case}	1				
18	R054005	Sprocket, 23 Tooth 0.97:1 {2" Case}	1				
18	R054005A*	Sprocket, 23 Tooth 0.97:1 {2.5" Case}	1				

Case and Cover Assembly available for the new 2.5" system only.
Other parts marked with an * fit the 2.5" system only and are necessary when a new case is purchased.

FOR ADDITIONAL INFORMATION, SEE BULLETINS!

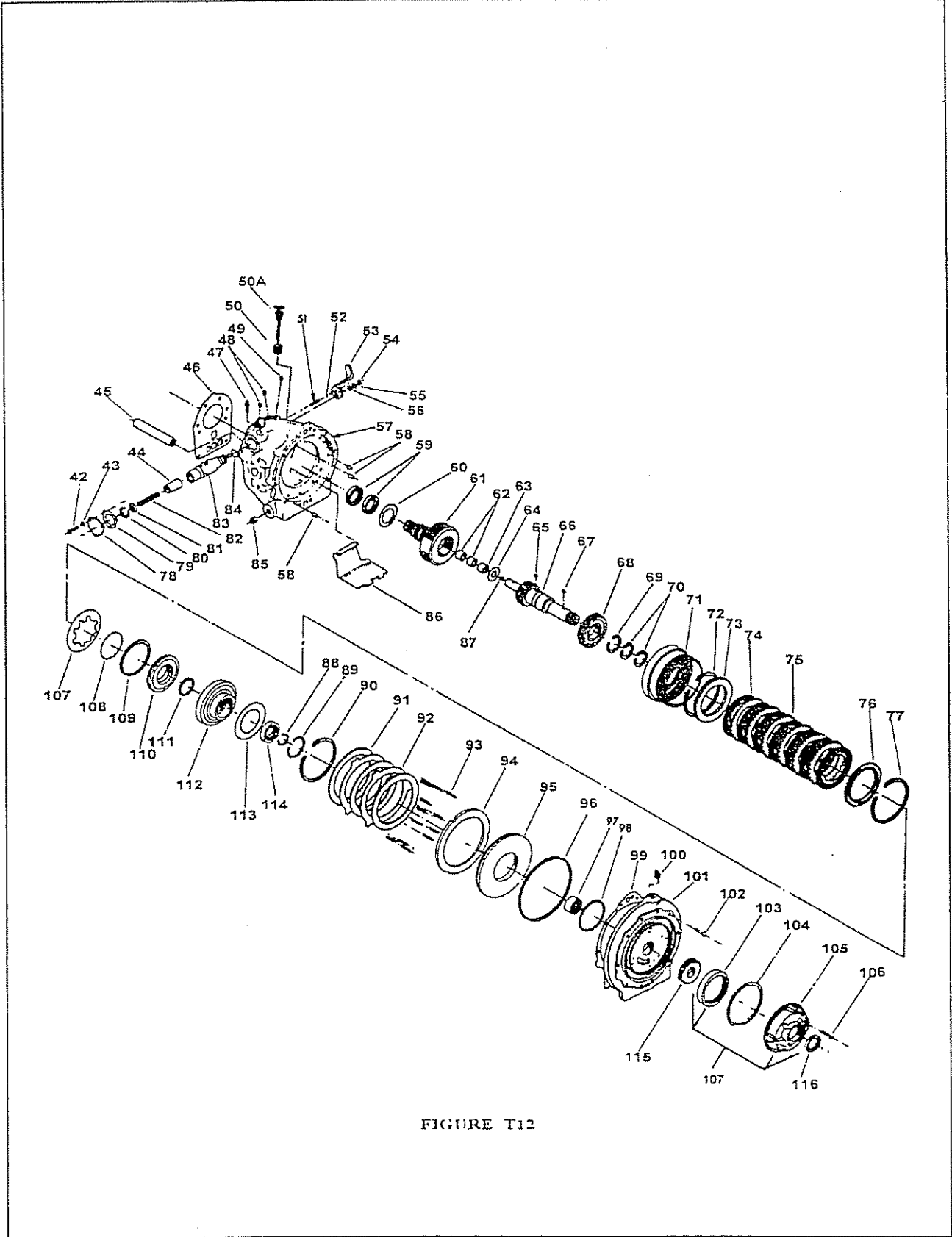


FIGURE T12

WARNER VEE DRIVE GEAR DRIVE MODELS

REF. NO.	PART NUMBER	DESCRIPTION	QTY.	REF. NO.	PART NUMBER	DESCRIPTION	QTY.
1	R-008001	Bearing Cap	2	36	R-067008	Bearing Assembly	1
2	R-047050	"O" Ring	2	37	RM0052	Gasket	1
3	RA060007*	Case And Cover Assembly 1.53:1	1	38	R-008002	Cap, Bearing	1
		And 1.98:1	1	39	R047009	Seal, Oil	1
3	RA060007A*	Case And Cover Assembly, All	1	40	R-148015	Coupling	1
		Other Reductions	1	41	R-017003	Nut, Output Shaft	1
4	R-069013	Plug, Expansion	1				
5	R-009006	Bolt, Hex 7/16 x 1-1/4	8				
6	R-082011	Pin, 3/16x9/16 Spring	2				
7	R-082012	Pin, Taper	1				
8	R-067020	Cone, Bearing 2" Case	4				
8	R067020	Cone, Bearing 2.5" Case	3				
8A	R067041*	Cone, Bearing (2.5")	1				
9	R-113018	Gear, 34 Tooth 1.99:1	1				
9	R-113019	Gear, 39 Tooth 1.51:1	1				
9	R-113020	Gear, 30 Tooth 2.49:1	1				
9	R-113021	Gear, 43 Tooth 1.21:1	1				
9	R-113022	Gear, 26 Tooth 3.14:1	1				
9	R-113023	Gear, 47 Tooth 0.96:1	1				
11	R-058017	Shaft, Input 2" Case	1				
11	R058017A*	Shaft, Input (2.5")	1				
11A	R062049*	Spacer, Gear (2.5")	2				
12	R-067021	Cup, Bearing 2" Case	4				
12	R067021	Cup, Bearing 2.5" Case	3				
12A	R067040*	Cup, Bearing (2.5")	1				
13	RM0051	Gasket, Vee Drive	1				
14	R-017024	Lock Nut, 7/16-20 Hex	6				
15	R-095016	Stud, Case	6				
16	N.S.S.	Case, V Drive, Order Assy.(item 3)	1				
17	R-113024	Gear, Bevel (19 Tooth)	1				
18	R-113018	Gear, 34 Tooth 1.51:1	1				
18	R-113019	Gear, 39 Tooth 1.99:1	1				
18	R-113020	Gear, 30 Tooth 1.21:1	1				
18	R-113021	Gear, 43 Tooth 2.49:1	1				
18	R-113022	Gear, 26 Tooth 0.96:1	1				
18	R-113023	Gear, 47 Tooth 3.14:1	1				
19	R-058018	Shaft, Intermediate 2" Case	1				
19	R058018A*	Shaft, Intermediate (2.5")	1				
20	R-148016	Coupling	1				
21	R-095017	Stud	6				
22	R-017024	Nut, Hex 7/16-20	6				
NI	RS0331	Bolt, Hex Head 7/16-14x2	6				
23	R82181	Washer, Lock 7/16	14				
24	R-082012	Pin, Taper	1				
25	R-067022	Roller Bearing And Race	1				
26	R-048039	Snap Ring	1				
27	RS0798	Cap Screw, 3/8-24x7/8	2				
28	R-175014	Machine Screw Assembly	2				
		1/4-20 x 1/2	2				
29	R-012005	Baffle, Oil	1				
30	R-048043	Retainer	1				
31	N.S.S.	Race, Part Of Item 25	1				
32	R-113025	Gear, Bevel (33 Tooth)	1				
33	R-058019	Shaft, Output	1				
34	R-169021	Shim, Selective	1				
34	R-169022	Shim, Selective	1				
34	R-169023	Shim, Selective	1				
35	R-012007	Baffle, Oil	1				

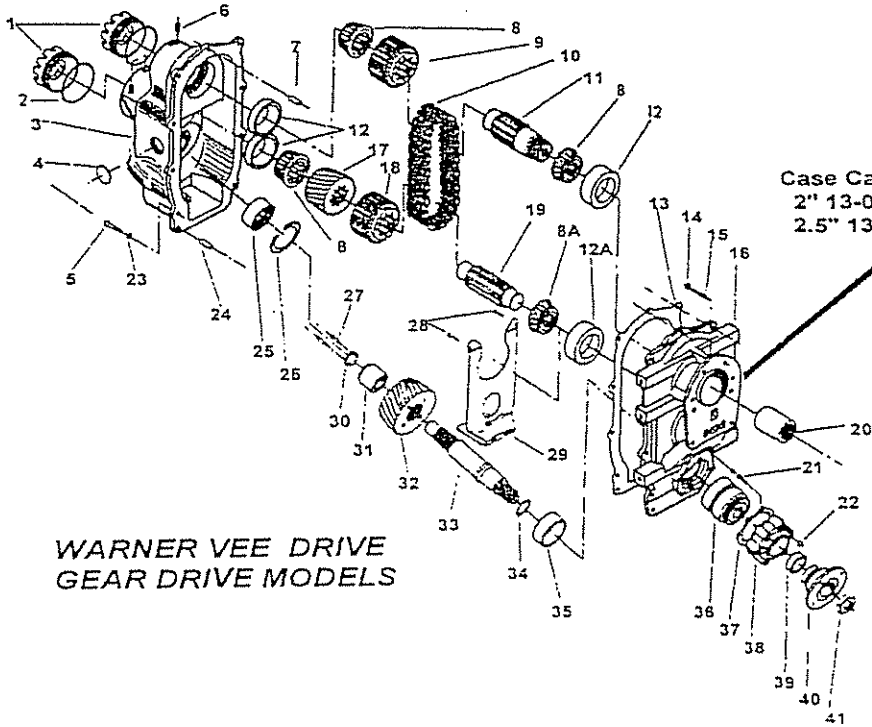
*Case and cover assembly available for the new 2.5" system only. Other parts marked with an * fit the 2.5" system only and are necessary when a new case is purchased.

FOR ADDITIONAL INFORMATION, SEE BULLETINS:

10-04/13-08 (71C) 10-05/1308 (72C) V-DRIVE TRANSMISSION

WARNER VEE DRIVE
GEAR DRIVE MODELS

Case Casting Numbers
2" 13-08-065-002
2.5" 13-08-065-904



WARNER VEE DRIVE
GEAR DRIVE MODELS

Case Casting Numbers
2" 13-08-065-002
2.5" 13-08-065-904

FIGURE T13

WARNER VEE DRIVE FORWARD SECTION

REF. NO.	PART NUMBER	DESCRIPTION	QTY.	REF. NO.	PART NUMBER	DESCRIPTION	QTY.
87		Included In Item 66	1				
88	R048015	Snap Ring 71C And 10-17	1				
88	R048053	Snap Ring 72C And 10-18	1				
89	R048004	Snap Ring 71C And 10-17	1				
89	R048054	Snap Ring 72C And 10-18	1				
90	R048007	Ring Gear Snap Ring	1				
91	R160008	Reverse Clutch Plate					
		Assembly 71C And 10-17	2				
91	R160008	Reverse Clutch Plate					
		72C And 10-18	3				
92	R160009	Outer Clutch Plate					
		71C And 10-17	1				
92	R160009	Outer Clutch Plate					
		72C And 10-18	2				
93	R046001	Pressure Plate Spring	12				
94	R160001	Plate, Reverse Clutch Pressure	1				
95	R161001	Piston, Reverse Clutch	1				
96	R047004	Ring, Sealing	1				
97	R067003	Bearing, Needle	1				
98	R047005	Sealing Ring	1				
99	RM0009	Case And Adapter Gasket	1				
100	RS3540	1/4 Pipe Plug	1				
101	R079003	Forward And Reverse Adapter	1				
102	R009003	3/8-16x1-1/4 Cap Screw	4				
103	Order assy.	Pump driven Gear	1				
104	RM0008	Pump Gasket	1				
105	Order assy.	Front Pump Housing	1				
106	R009099	Bolt, 5/16-18 x 1 3/8 Hex Head	4				
107	R160003	Clutch Spring	1				
108	R048006	Clutch Spring Bearing Ring	1				
109	R047006	Clutch Ring	1				
110	R161002	Forward Clutch Piston	1				
111	R047007	Sealing Ring	1				
112	R163001	Forward Clutch Cylinder					
		71C And 10-17	1				
112	R163002	Forward Clutch Cylinder					
		72C And 10-18	1				
113	R096004	Thrust washer	1				
114	R067004	Bearing 71C And 10-17	1				
114	R067030	Bearing 72C And 10-18	1				
115	Order Assy.	Pump Drive Gear	1				
116	R047003	Oil Seal Assembly	1				
117	RA070001	Pump Assembly (Includes					
		Items 103, 105, 115 And 116)	1				
NI	R153002	Neutral Safety Switch	1				
NI	RS0337	Bolt Engine Mounting	6				
NI	RS2181	Lock Washer	6				
NI	RK173018	Gasket & Seal Kit Forward Section	1				
NI	RK173019	Seal Ring Kit Forward Section	1				
NI	RK173016	Small Parts Kit V Drive	1				
NI	R024024	Shift Cable End	1				
NI	R082009	Cotter Pin	1				

Driven Half (Shaft) Coupling

NI	R148001	1" Coupling	1
NI	R148002	1-1/8" Coupling	1
NI	R148003	1-1/4" Coupling	1
NI	R148004	1-3/8" Coupling	1
NI	R148005	1-1/2" Coupling	1
NI	R148007	1-3/4" Coupling	1
NI	R148008	2" Coupling	1
NI	R148009	2-1/2" Coupling	1

10-05 Vee Drive Units Complete (Chain Drive)

	RA156002A	.097:1 Ratio
	RA156002M	1.21:1 Ratio
	RA156002C	1.53:1 Ratio
	RA156002E	1.98:1 Ratio
	RA156002G	2.50:1 Ratio
	RA156002J	3.10:1 Ratio

10-04 Vee Drive Units Complete (Gear Drive)

	RA 156001	0.96:1 Ratio
	RA156001K	1.21:1 Ratio
	RA156001B	1.51:1 Ratio
	RA156001D	1.99:1 Ratio
	RA156001F	2.49:1 Ratio
	RA156001H	3.14:1 Ratio

10-05 Vee Drive Units Complete (Gear Drive)

	RA156002	0.96:1 Ratio
	RA156002K	1.21:1 Ratio
	RA156002B	1.51:1 Ratio
	RA156002D	1.99:1 Ratio
	RA156002F	2.49:1 Ratio
	RA156002H	3.14:1 Ratio

Forward and Reverse Transmission Section Assembly

	RA157009	10-04 Series
	RA157010	10-05 Series

Vee Drive Section Assembly Both Series 10-04 And 10-05

	RA156003A	0.97:1 Ratio
	RA156003M	1.21:1 Ratio
	RA156003C	1.53:1 Ratio
	RA156003E	1.98:1 Ratio
	RA156003G	2.50:1 Ratio
	RA156003J	3.10:1 Ratio
	RA156003	0.96:1 Ratio
	RA156003K	1.21:1 Ratio
	RA156003B	1.51:1 Ratio
	RA156003D	1.99:1 Ratio
	RA156003F	2.49:1 Ratio
	RA156003H	3.14:1 Ratio

FOR ADDITIONAL INFORMATION, SEE BULLETINS !

10-04 Vee Drive Units Complete (Chain Drive)

NI	RA156001A	.097:1 Ratio
NI	RA156001M	1.21:1 Ratio
NI	RA156001C	1.53:1 Ratio
NI	RA156001E	1.98:1 Ratio
NI	RA156001G	2.50:1 Ratio
NI	RA156001J	3.10:1 Ratio

