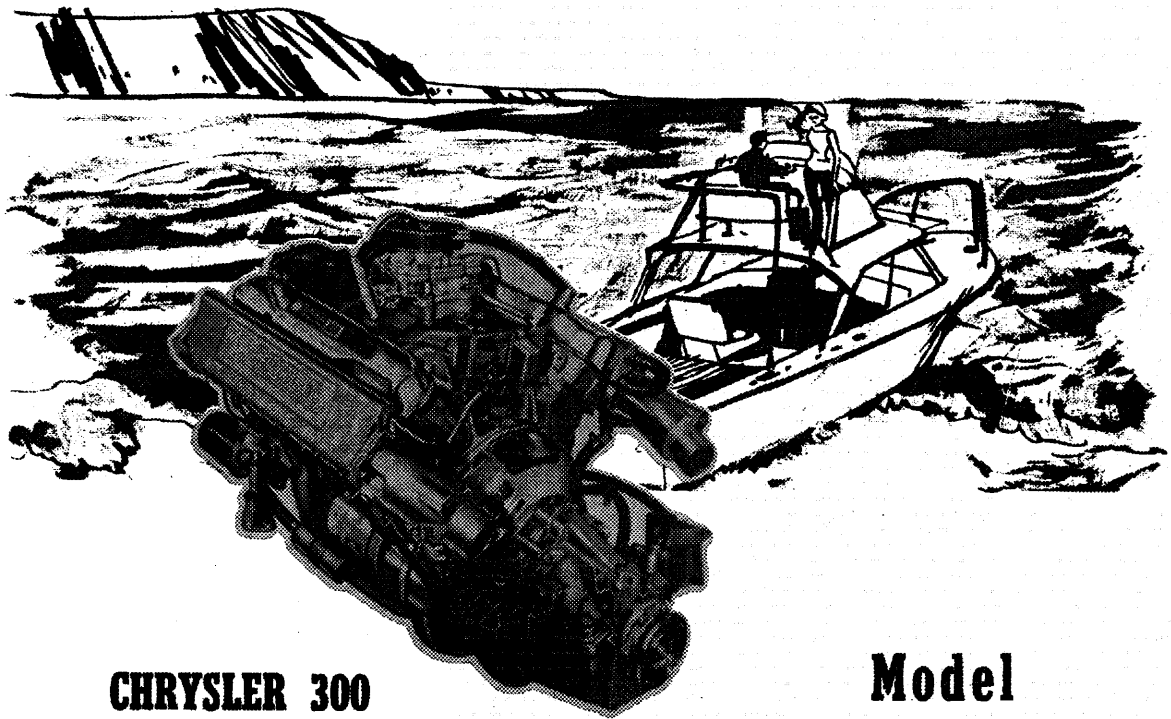


Chrysler Marine Engine



CHRYSLER 300

**Model
M440**

SERVICE MANUAL

FOREWORD

This Maintenance Manual contains complete description and detailed information regarding the operation and maintenance of the Chrysler Marine Engine Model M440.

Even though long life and dependability are built into the Chrysler Marine Engines, satisfactory performance depends upon intelligent maintenance and a thorough understanding of the various parts that make the complete unit.

Before maintenance operations are attempted, a thorough study of this manual is recommended.

Whenever communications with the factory are necessary, the engine type and serial number should be furnished complete for the proper identification of the particular unit.

IMPORTANT

Before ordering parts, read the following information carefully.

Orders for parts should be placed with the nearest authorized Chrysler Marine Distributor or Distributor Dealer who are in possession of complete parts information and can, in most instances, promptly supply your parts requirements from their inventory. If you do not know your nearest Chrysler Marine Engine Distributor, a card addressed to the Chrysler Corporation, Marine Engine Division, P.O. Box 1, Marysville, Michigan 48040, will bring you his name and address promptly.

CHRYSLER

MARINE ENGINE

SERVICE

MANUAL

8-CYLINDER

MARINE ENGINE

MODEL M440

This Maintenance Manual is compiled as a reference and guide to provide the service men with the proper adjustments and repair procedures for servicing the new Chrysler Marine Engines.

The service tools referred to in this Manual are available through the Kelsey-Hayes Co., Miller—Special Tools, 17640 Grand River Avenue, Detroit, Michigan 48227, U.S.A., unless otherwise specified.

Extra copies of this Manual are available at \$5.00 net each plus any local taxes, under Part Number 81-770-9563. Order from:

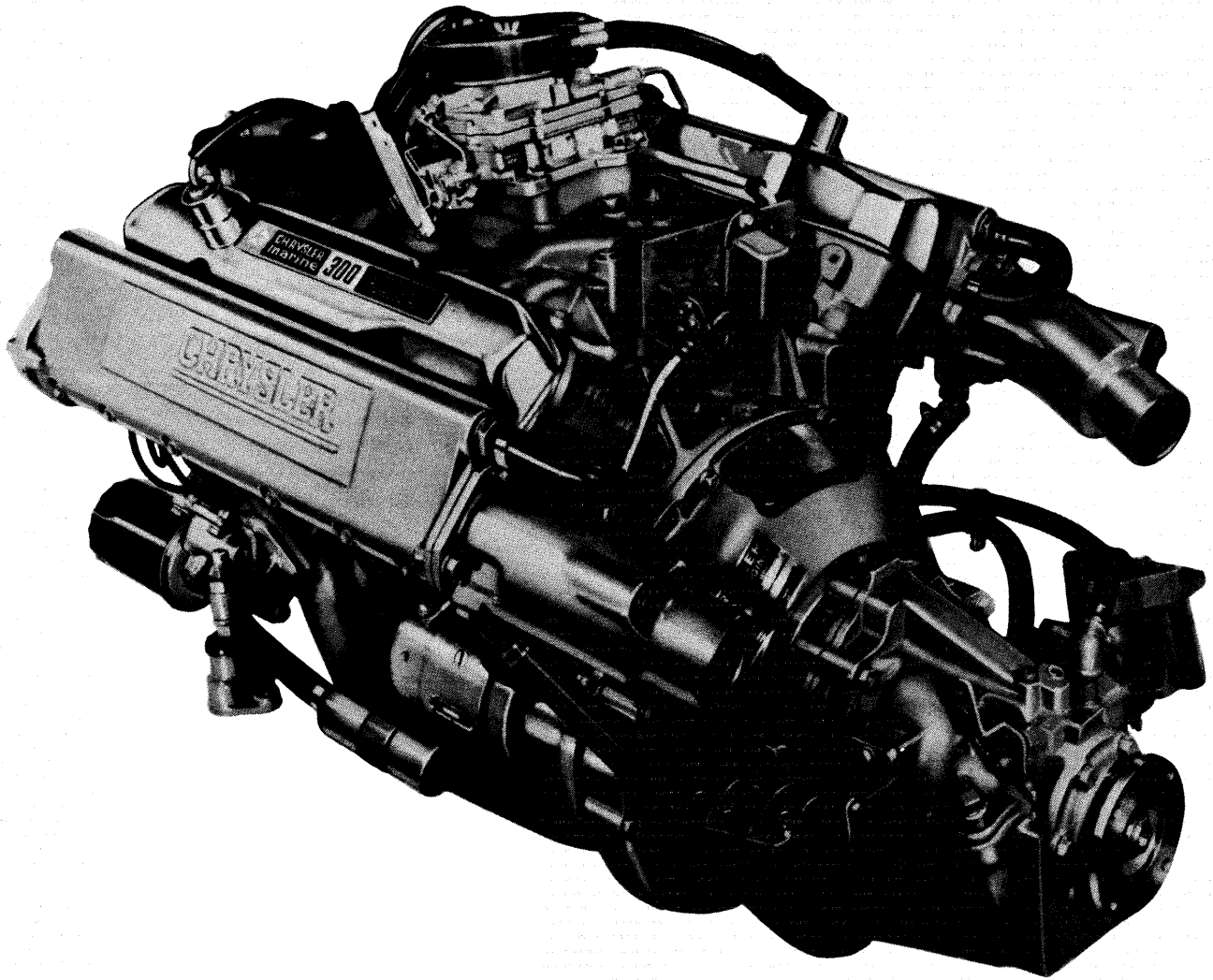
Chrysler Corporation

Marine Engine Division

MARYSVILLE, MICHIGAN 48040, U.S.A.

Chrysler Corporation reserves the right to make changes in design or to make additions to or improvements in its products without imposing any obligation upon itself to install them on its products previously manufactured.

SECTION	Page
INTRODUCTION	
Section 1. Operation	4
Section 2. Specifications	6
Section 3. Cooling System	11
Section 4. Lubrication and Maintenance	19
Section 5. Engine	25
Section 6. Fuel System	46
Section 7. Electrical System	61
Section 8. Reverse Gear	106
Section 9. Laying Up and Fitting Out	195



CHRYSLER 300

IDENTIFICATION

A brass name plate, as shown in Figure 1, is attached to the rear of the engine, showing the model symbol, type and serial number of the engine. Reading from left to right on the name plate, the first item is the model symbol, M440, which indicates that the engine is a Chrysler Marine Model M440 Series.

The next two letters code the engine carburation variation and final drive. These symbols are followed by a dash and then a letter denoting propeller shaft rotation. The letter "R" indicates a right hand propeller shaft rotation; the letter "L" indicates a left hand propeller shaft rotation. Propeller shaft rotation is defined as viewed from the stern looking towards the engine.

The next number on the name plate indicates the reduction ratio of the reverse gear, i.e.: 10 = 1.1 to 1 or straight drive, 13 = 1.32 to 1, 16 = 1.6 to 1, 25 = 2.5 to 1.

This is followed by a dash, the engine specification number and the engine serial number.

There is one decal located on front of every engine—designating engine rotation as viewed from front of engine (Fig. 2). Also one decal located on reverse gear of engine—designating propeller shaft rotation as viewed from the stern (Fig. 3).

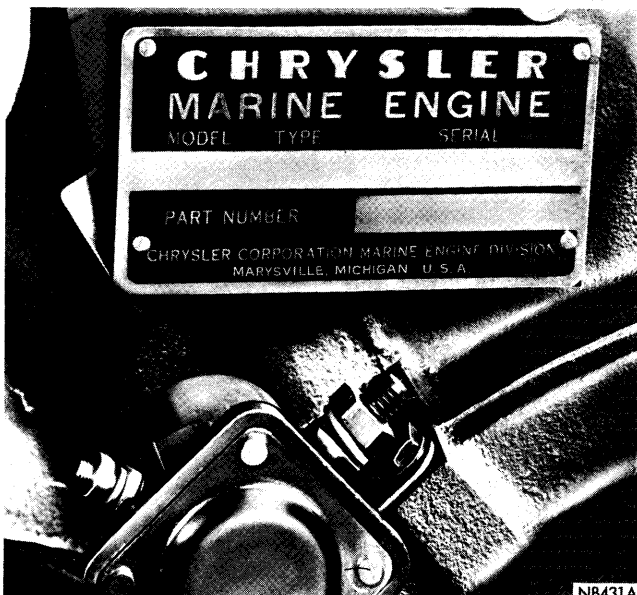


Fig. 1—Engine Model and Serial Number Plate

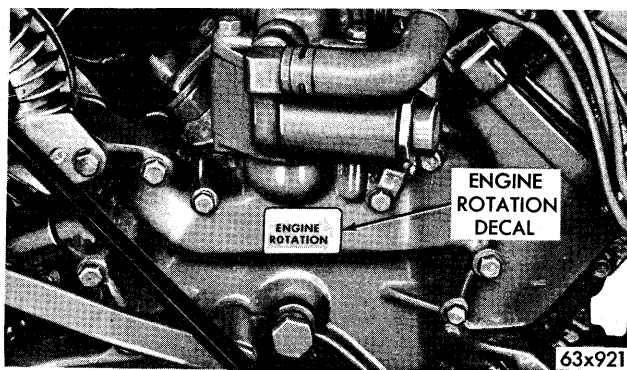


Fig. 2—Engine Rotation Decal on Front of Engine

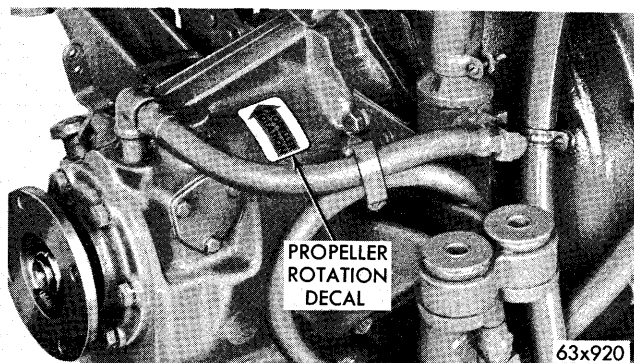


Fig. 3—Propeller Rotation Decal on Reverse Gear

SERVICE BULLETINS

Bulletins will be issued from time to time which will either supplement the information contained in this Supplement or contain new, detailed service instructions.

DATA AND SPECIFICATIONS

Recommended tolerances and specifications for the fitting or adjustment of parts or components will be found at the beginning of the section to which they pertain. It is suggested that the information contained therein be carefully followed in order to obtain the utmost in performance from the unit.

